

BAD BOY

URBAN. LEGEND.

URBAN MOBILITY WITH ATTITUDE. BAD BOY'S TRADEMARK MATTE BLACK LOOK, STEALTH-FIGHTER INSPIRED DESIGN AND RADICAL FORK OPTIONS MAKE AN UNDER-THE-RADAR STATEMENT UPTOWN, DOWNTOWN AND EVERYWHERE IN BETWEEN.

VICTORIES & AWARDS



2010 Eurobike Design Award



ROAD
MOUNTAIN
RECREATION/URBAN
WOMEN'S
SPECIFICATIONS



> UNIQUE FORK OPTIONS

To further personalize your own Bad Boy statement, chose from models with the sleek HeadShok DL50 with 50mm of travel, hydraulic damping and lockout, the radical single-legged Solo Rigid or the Fatty Rigid.



> EDGY STYLE

Bad Boy's trademark, understated matte black finish and hard-edged tube shapes look stylish and purposeful from any angle."



> INTEGRATED CONTROLS

Because Bad Boy is more than just a bike, we use our OPI technology to engineer a gorgeous, one-piece forged, integrated bar and stem for Bad Boy's cockpit.

2BS1 BAD BOY 1

FRAME	BAD BOY STEALTH, OPTIMIZED 6061 ALLOY	CRANKS	SHIMANO M431, BAD BOY, 48/36/26	STEM	CANNONDALE SI URBAN OPI STEM/HANDLEBAR
FORK	HEADSHOK SOLO DL50, 50 MM	DERAILLEURS R/F	SHIMANO SLX / DEORE	BRAKES	MAGURA MT2 HYDRAULIC DISC, 160/160 MM
TIRES	SCHWALBE KOJAK RACE GUARD, 700X28C	SHIFTERS	SHIMANO DEORE	SIZES	S, M, L, X

BLACK ANODIZED W/REFLECTIVE DECALS (MATTE) (BBQ)



2BS5

BAD BOY 5

JET BLACK W/ REFLECTIVE DECALS (MATTE) (BBQ)

FRAME	BAD BOY, OPTIMIZED 6061 ALLOY	CRANKS	SHIMANO M431, BAD BOY, 48/36/26	STEM	CANNONDALE SI URBAN OPI STEM/HANDLEBAR
FORK	CANNONDALE SOLO RIGID, OPI	DERAILLEURS R/F	SHIMANO DEORE / ALIVIO	BRAKES	SHIMANO M446 HYDRAULIC DISC, 160/160 MM
TIRES	SCHWALBE KOJAK RACE GUARD, 700X28C	SHIFTERS	SHIMANO ALIVIO	SIZES	S, M, L, X



2BF9

BAD BOY 9

JET BLACK W/ REFLECTIVE DECALS (MATTE) (BBQ)

FRAME	BAD BOY, OPTIMIZED 6061 ALLOY	CRANKS	SHIMANO M171, 48/38/28	STEM	CANNONDALE C4
FORK	CANNONDALE FATTY RIGID	DERAILLEURS R/F	SHIMANO ALIVIO / ALTUS	BRAKES	TEKTRO NOVELA MECHANICAL DISC, 160/160 MM
TIRES	SCHWALBE KOJAK RACE GUARD, 700X28C	SHIFTERS	SHIMANO M310 RAPIDFIRE PLUS	SIZES	S, M, L, X

QUICK

VELO. CITY.

QUICK IS A FAST AND NIMBLE FLAT BAR BIKE, PACKED WITH FEATURES LIKE *SAVE* VIBRATION DAMPING AND CARBON BLADED FORKS. WHETHER CRUISING THROUGH CENTRAL PARK OR COMPLETING THAT EPIC CHARITY RIDE, QUICK GETS IT DONE WITH STYLE AND FINESSE.



2QR1

QUICK CARBON 1

FRAME	QUICK FULL CARBON, SAVE
FORK	QUICK FULL CARBON SI
WHEELS	MAVIC KSYRIUM ELITE

TIRES	SCHWALBE MARATHON SUPREME, 700X28C
CRANKS	FSA SLK CARBON, BB30, 50/34
DERAILLEURS R/F	SHIMANO 6700

SHIFTERS	TIAGRA 4600, FLAT BAR
BRAKES	TEKTRO CX9 MINI V
SIZES	S, M, L, X, J

EXPOSED CARBON (MATTE) (CRB)

> ROAD BIKE SPEED, FLAT BAR COMFORT

Fast-rolling 700c wheels paired with an upright riding position gives you the best of both worlds – a speedy, fun package with great comfort and worry-free visibility.

> *SAVE* VIBRATION DAMPING STAYS

Optimized chain stay and seat stay shaping provides bump absorption, comfort and enhanced control with no loss in power transfer.

> LIGHT AND STYLISH

Whether the Quick, the lighter weight Quick SL, or the radical Quick Carbon, these sleekly-styled frames are the lightest in class, making the bike nimble, responsive and a breeze to carry up stairs.



2QR2

QUICK CARBON 2

FRAME	QUICK FULL CARBON, SAVE
FORK	QUICK FULL CARBON SI
WHEELS	ELEMENT C3

TIRES	KENDA KWICK, 700X28C
CRANKS	FSA OMEGA, BB30, 50/34
DERAILLEURS R/F	SRAM APEX

SHIFTERS	SRAM X5
BRAKES	CANNONDALE MINI V
SIZES	S, M, L, X, J

EXPOSED CARBON (MATTE) (CRB)



2QR1

QUICK SL 1

FRAME	QUICK SL, OPTIMIZED 6061 ALLOY, SAVE
FORK	QUICK, CARBON BLADES
WHEELS	ELEMENT C2

TIRES	CONTINENTAL SPORT CONTACT, 700X32C
CRANKS	SHIMANO 105 5700, 50/39/30
DERAILLEURS R/F	SHIMANO 105 5700 / R773

SHIFTERS	SHIMANO TIAGRA 4600 FLATBAR
BRAKES	CANNONDALE C2 MINI V
SIZES	S, M, L, X, J

BRUSHED ALUMINUM (GLOSS) (RAW)



2QR2
QUICK SL 2 JET BLACK (GLOSS) (BLK)

FRAME	QUICK SL, OPTIMIZED 6061 ALLOY, SAVE	TIRES	CONTINENTAL SPORT CONTACT, 700X32C (26X1.3" ON XS)	SHIFTERS	SHIMANO R440, RAPIDFIRE PLUS
FORK	QUICK, CARBON BLADES	CRANKS	SHIMANO SORA, 50/39/30	BRAKES	CANNONDALE C2 MINI V
WHEELS	ELEMENT C3 - 700C (26" ON XS)	DERAILLEURS R/F	SHIMANO SORA / R443	SIZES	XS, S, M, L, X, J



2QR4
QUICK 4 JET BLACK (GLOSS) (BLK) CHARCOAL GREY (GLOSS) (GRY)

FRAME	QUICK, BUTTED 6061 ALLOY, SAVE	TIRES	KENDA KWICK TRAX, 700X32C (26X1.5" ON XS)	SHIFTERS	SHIMANO M310 RAPIDFIRE PLUS
FORK	QUICK, CARBON BLADES	CRANKS	SHIMANO M171, 48/38/28	BRAKES	CANNONDALE C4 MINI V
WHEELS	ELEMENT C3 - 700C (26" ON XS)	DERAILLEURS R/F	SHIMANO ALIVIO / M191	SIZES	XS, S, M, L, X, J



2QR3
QUICK 3 INDIGO BLUE (GLOSS) (BLU) MAGNESIUM WHITE (GLOSS) (WHT)

FRAME	QUICK, BUTTED 6061 ALLOY, SAVE	TIRES	CONTINENTAL CITY CONTACT, 700X32C	SHIFTERS	SHIMANO ALIVIO RAPIDFIRE PLUS
FORK	QUICK, CARBON BLADES	CRANKS	SHIMANO M431, 48/36/26	BRAKES	CANNONDALE C3 MINI V
WHEELS	ELEMENT C3	DERAILLEURS R/F	SHIMANO DEORE / ALIVIO	SIZES	S, M, L, X, J



2QR5
QUICK 5 FINE SILVER (GLOSS) (SLV)

FRAME	QUICK, BUTTED 6061 ALLOY, SAVE	TIRES	KENDA KWICK TRAX, 700X32C	SHIFTERS	SHIMANO M310 RAPIDFIRE PLUS
FORK	QUICK, 6061 ALLOY	CRANKS	SHIMANO M131, 48/38/28	BRAKES	CANNONDALE C4 MINI V
WHEELS	CANNONDALE C4	DERAILLEURS R/F	SHIMANO ALTUS / M191	SIZES	S, M, L, X, J

QUICK CX

SPORT. UTILITY.

COMBINING THE STABILITY AND STRENGTH OF A MOUNTAIN BIKE WITH THE NIMBLENESS AND LIGHT WEIGHT OF A CITY BIKE, THE QUICK CX IS THE PERFECT ADVENTURE PARTNER.



2QRX1

QUICK CX 1

FRAME	QUICK CX, OPTIMIZED 6061 ALLOY, SAVE
FORK	HEADSHOK FATTY DL50, 50 MM
WHEELS	MADDUX DC3.0

TIRES	CONTINENTAL DOUBLE FIGHTER II, 700X37C
CRANKS	SHIMANO M521, 48/36/26
DERAILLEURS R/F	SHIMANO SLX / ALIVIO

SHIFTERS	SHIMANO DEORE
BRAKES	SHIMANO M505 HYDRAULIC DISC, 160/160MM
SIZES	S, M, L, X, J

BRUSHED ALUMINUM (GLOSS) (RAW)

> TRAVEL IN STYLE

With sleek, functional tube shapes, oversized head tubes, and suspension forks on most models, the Quick CX makes a statement on the city streets but is up to the challenges of excursions on rougher roads and bike trails.

> SAVE VIBRATION DAMPING STAYS

Optimized rear stay shaping provides bump absorption, comfort and enhanced control with no loss in power transfer.

> HEADS-UP RIDING

The Quick CX geometry delivers an upright, stable riding position for increased comfort, visibility and enjoyment. Relax and enjoy the ride.



2QRX2

QUICK CX 2

JET BLACK (GLOSS) (BLK)

FRAME	QUICK CX, OPTIMIZED 6061 ALLOY, SAVE
FORK	RST NEON PRO TREKKING TNL, 50MM
WHEELS	MADDUX DC3.0

TIRES	CONTINENTAL DOUBLE FIGHTER II, 700X37C
CRANKS	SHIMANO M431, 48/36/26
DERAILLEURS R/F	SHIMANO DEORE / ALIVIO

SHIFTERS	SHIMANO ALIVIO
BRAKES	SHIMANO M446 HYDRAULIC DISC, 160/160 MM
SIZES	S, M, L, X, J



2QRX3

QUICK CX 3

MAGNESIUM WHITE (GLOSS) (WHT)

FRAME	QUICK CX, OPTIMIZED 6061 ALLOY, SAVE
FORK	RST NEON PRO TREKKING ML, 50MM
WHEELS	MADDUX TC 5.0

TIRES	CONTINENTAL DOUBLE FIGHTER II, 700X37C
CRANKS	SHIMANO M171, 48/38/28
DERAILLEURS R/F	SHIMANO ALIVIO / M191

SHIFTERS	SHIMANO ACERA
BRAKES	TEKTRO NOVELA MECHANICAL DISC, 160/160 MM
SIZES	S, M, L, X, J



2QRX4

QUICK CX 4

JET BLACK (GLOSS) (BLK)

FRAME	QUICK CX RIGID, OPTIMIZED 6061 ALLOY, SAVE
FORK	FATTY RIGID DISC
WHEELS	MADDUX DC3.0

TIRES	CONTINENTAL DOUBLE FIGHTER II, 700X37C
CRANKS	SHIMANO M171 48/38/28
DERAILLEURS R/F	SHIMANO ACERA / M191

SHIFTERS	SHIMANO ALTUS
BRAKES	TEKTRO NOVELA MECHANICAL DISC, 160/160 MM
SIZES	S, M, L, X, J

ADVENTURE

EASY. RIDER.

ADVENTURE IS THE PERFECT BIKE FOR THE RECREATIONAL CYCLIST. COMMUTING TO WORK ONE DAY, RUNNING ERRANDS THE NEXT, BIKING WITH THE KIDS OR TAKING A SPIN ON A WEEKEND GETAWAY, ADVENTURE IS READY TO HANDLE IT ALL.



2AS2
ADVENTURE 2 JET BLACK (GLOSS) (BLK)

FRAME	ADVENTURE, DOUBLE BUTTED 6061 ALLOY	DERAILLEURS, R/F	SHIMANO ALIVIO / M191	SADDLE	CANNONDALE ULTRA COMFORT
FORK	ADVENTURE TRAIL SI SUSPENSION, 35MM	BRAKE LEVERS	CANNONDALE, 4 FINGER W/KRATON COMFORT INSERT	SEATPOST	CANNONDALE SUSPENSION, 40MM TRAVEL
SHIFTERS	SHIMANO REVO TWIST TYPE	TIRES	KENDA KWICK TRAX, 700 X 38C	SIZES	S, M, L, X, J

> RIDER-TAILORED GEOMETRY

For maximum comfort and confidence, Adventure has our most upright rider position and a seat angle that permits the rider to comfortably touch the ground, without compromising the ability to pedal efficiently.

> LUXURIOUS TRAPPINGS

Soft touch material on the grips and quick-release levers, combined with a super plush spring saddle gives the Adventure a luxurious feel.

> TOOL-FREE STEM ADJUSTMENT

Rider position is quickly and easily customizable with a secure, lever-action adjustable stem.



2AS3
ADVENTURE 3 INDIGO BLUE (GLOSS) (BLU)

FRAME	ADVENTURE, DOUBLE BUTTED 6061 ALLOY	DERAILLEURS, R/F	SHIMANO ACERA / M191	SADDLE	CANNONDALE ULTRA COMFORT
FORK	RST SOFI T, 50MM	BRAKE LEVERS	CANNONDALE, 4 FINGER W/KRATON COMFORT INSERT	SEATPOST	CANNONDALE SUSPENSION, 40MM TRAVEL
SHIFTERS	SHIMANO REVO TWIST TYPE	TIRES	KENDA KWICK TRAX, 700 X 38C	SIZES	S, M, L, X, J



2CS3
ADVENTURE 3 26" INDIGO BLUE (GLOSS) (BLU)

FRAME	ADVENTURE 26", DOUBLE BUTTED 6061 ALLOY	DERAILLEURS, R/F	SHIMANO ACERA / M191	SADDLE	CANNONDALE ULTRA COMFORT
FORK	RST SOFI T 26", 50MM	BRAKE LEVERS	CANNONDALE, 4 FINGER W/KRATON COMFORT INSERT	SEATPOST	CANNONDALE SUSPENSION, 40MM TRAVEL
SHIFTERS	SHIMANO REVO TWIST TYPE	TIRES	KENDA K1052, 26 X 2.1"	SIZES	S, M, L, X, J

TANDEM

FAST. COMPANY.

COMBINE THE POWER OF TWO WITH THE AERO PROFILE OF ONE. COMBINE PEOPLE OF DIFFERING ABILITIES. THE CANNONDALE TANDEM CHANNELS THE POWER OF TWO INTO ONE SWEET, SYNCHRONIZED WHOOSH OF SPEED AND THRILLS. LIKE PEANUT BUTTER AND JELLY, BUT FASTER.



9R12 ROAD TANDEM		LIGHTNING WHITE (GLOSS) (WHT)	
FRAME	CAAD TANDEM, OPTIMIZED 6061 ALLOY, 700C	CRANK	FSA GOSSAMER TANDEM, 53/39/30
FORK	FATTY R TANDEM RIGID	DERAILLEURS	SHIMANO ULTEGRA 6700, 10-SPEED
WHEELS	SUN ME14A W/EYELET AND MACHINED SIDEWALL	SHIFTERS	SHIMANO ULTEGRA 6700
		BRAKES	AVID BB7 ROAD DISC
		SADDLE	FIZIK ALIANTE DELTA MG
		SIZES	MS, LS, XS, JM

HOOLIGAN

JUNGLE. GYM.

WITH ITS COMPACT 20" WHEELS, STOUT FRAME AND LOW STANDOVER, THE HOOLIGAN BALANCES FUNCTIONAL SENSIBILITY WITH FRIVOLOUS FUN. PERFECT FOR THE CHALLENGES OF CITY LIFE, HOOLIGAN MAKES PRACTICALITY LOOK GOOD.



2HL1 HOOLIGAN		BERSERKER GREEN (GLOSS) (GRN)		STEALTH GREY (GLOSS) (GRY)	
FRAME	NEW HOOLIGAN DELTA V, URBAN COMPACT	CRANKS	FSA VERO, SINGLE RING, DUAL ALLOY CHAINGUARD, 48T	STEM	CANNONDALE C3
FORK	CANNONDALE SOLO RIGID, OPI	DERAILLEURS R/F	SHIMANO NEXUS REVO 3-SPEED	BRAKES	SHIMANO M375 MECHANICAL DISC, 160/160 MM
TIRES	KENDA QUEST, 20 X 1.5"	SHIFTERS	SHIMANO NEXUS REVO 3-SPEED	SIZES	ONE SIZE

- ROAD
- MOUNTAIN
- RECREATION/URBAN
- WOMEN'S
- SPECIFICATIONS

> LIGHTEST AND STIFFEST

It's the lightest, most torsionally rigid tandem on the market. No nervous flex when powering out of saddle. Responsive handling and sure-footed stability when bombing the descents. Pure speed. Pure confidence. Pure performance.

> OPTIMIZED COCKPITS

A taller head tube and shorter top tube give the captain better control and more comfort, while the stoker gets increased standover clearance for easier starts and stops.

> CANNONDALE ALUMINUM

A structure as long and complex as a tandem is the perfect showcase for our aluminum skills. The box section **Boom Tube**, oversized chain stays, disc brake dropouts and smooth welds demonstrate our expertise.

> ONE SIZE FITS ALL

Lower standover, a custom 520mm seatpost and an adjustable stem lets the Hooligan fit all sizes of rider and all styles of riding - from low and aggressive to upright and comfy.

> DELTA V

The **Delta V** frame configuration is light and gorilla-strong, and its excellent standover gives the rider plenty of clearance for agile street moves.

> SLIDE 2GO® ACCESSORY MOUNTING BRACKET

The Hooligan features a convenient, secure, **System Integrated** head tube mounting point for **Slide 2GO** accessories.

RECREATION / URBAN SPECIFICATIONS

	BAD BOY 1
CODE	2BS1
FRAME	BAD BOY STEALTH, OPTIMIZED 6061 ALLOY, HEADSHOK
FORK	HEADSHOK SOLO DL50, 50MM W/LOCKOUT, OPI
RIMS	MADDOX C2 URBAN SL, 32 HOLE
HUBS	CANNONDALE LEFTY SL FRONT, SHIMANO M525 DEORE REAR
SPOKES	STAINLESS XD BLACK, 15G
TIRES	SCHWALBE KOJAK RACE GUARD, 700X28C
PEDALS	CANNONDALE URBAN 6POINT3 ALLOY PLATFORM
CRANK	SHIMANO M431, BAD BOY, 48/36/26
BOTTOM BRACKET	TANGE CARTRIDGE, JIS
CHAIN	KMC Z99 BLACK, 9-SPEED
REAR COGS	SUNRACE CSM969, BAD BOY, 11-32, 9-SPEED
FR. DERAILLEUR	SHIMANO DEORE, 34.9 MM CLAMP
REAR DERAILLEUR	SHIMANO SLX
SHIFTERS	SHIMANO DEORE
HANDLEBAR	CANNONDALE SI URBAN OPI STEM/HANDLEBAR, 620 MM
GRIPS	CANNONDALE CITYSCAPE URBAN LOCK-ON BLACK CHROME
STEM	CANNONDALE SI URBAN OPI STEM/HANDLEBAR, 7 DEG.
HEADSET	CANNONDALE HEADSHOK SI
BRAKES	MAGURA MT2 HYDRAULIC DISC, 160/160MM
BRAKE LEVERS	MAGURA MT2 HYDRAULIC DISC
SADDLE	CANNONDALE BAD BOY URBAN
SEATPOST	CANNONDALE C2, 2 BOLT, ALLOY, 31.6X350MM
SIZES	S, M, L, X
COLOR 1 (CODE)	JET BLACK W/REFLECTIVE DECALS (MATTE) (BBQ)
COLOR 2 (CODE)	
EXTRAS	

	QUICK CARBON 2
CODE	2QR2
FRAME	QUICK FULL CARBON, W/SAVE FEATURES
FORK	QUICK FULL CARBON SI, 1 1/8"
RIMS	ELEMENT C3
HUBS	ELEMENT C3
SPOKES	ELEMENT XERO STAINLESS
TIRES	KENDA KWICK, 700X28C
PEDALS	QUICK ALLOY W/KRATON INSERTS
CRANK	FSA OMEGA, BB30 , 50/34
BOTTOM BRACKET	FSA BB30
CHAIN	KMC X10SL, 10-SPEED
REAR COGS	SRAM APEX, 11-32, 10-SPEED
FR. DERAILLEUR	SRAM APEX, BRAZE ON
REAR DERAILLEUR	SRAM APEX
SHIFTERS	SRAM X5, FLAT BAR
HANDLEBAR	CANNONDALE C3, 580MM
GRIPS	CANNONDALE ERGO LOCK-ON GRIPS
STEM	CANNONDALE C3
HEADSET	TANGE SI HEADSHOK
BRAKES	CANNONDALE, MINI V
BRAKE LEVERS	CANNONDALE CBL 9.1
SADDLE	CANNONDALE, QUICK ERGO PERFORMANCE
SEATPOST	QUICK FULL CARBON
SIZES	S, M, L, X, J
COLOR 1 (CODE)	RAW MATTE CARBON (CRB)
COLOR 2 (CODE)	

	BAD BOY 5
CODE	2BSS
FRAME	BAD BOY URBAN, MECHANICALLY FORMED 6061 ALLOY, 700C
FORK	CANNONDALE SOLO RIGID, OPI 1.5" STEERER
RIMS	MADDOX SR300
HUBS	CANNONDALE LEFTY BY FORMULA FRONT, FORMULA DC22, 6 BOLT DISC REAR
SPOKES	STAINLESS XD BLACK, 15G
TIRES	SCHWALBE KOJAK RACE GUARD, 700X28C
PEDALS	WELLGO PLATFORM
CRANK	SHIMANO M431, 48/36/26 CUSTOM BAD BOY
BOTTOM BRACKET	TANGE CARTRIDGE, JIS
CHAIN	KMC Z99 BLACK, 9-SPEED
REAR COGS	SUNRACE CSM969, BAD BOY, 11-32, 9-SPEED
FR. DERAILLEUR	SHIMANO ALIVIO, 34.9 CLAMP
REAR DERAILLEUR	SHIMANO DEORE M592
SHIFTERS	SHIMANO ALIVIO
HANDLEBAR	CANNONDALE SI URBAN OPI STEM/HANDLEBAR, 620 MM
GRIPS	CANNONDALE CITYSCAPE URBAN LOCK-ON BLACK CHROME
STEM	CANNONDALE SI URBAN OPI STEM/HANDLEBAR, 7 DEG.
HEADSET	TANGE CUSTOM SI 1 1/8"
BRAKES	SHIMANO M445 HYDRAULIC DISC
BRAKE LEVERS	SHIMANO M445
SADDLE	CANNONDALE BAD BOY URBAN
SEATPOST	CANNONDALE C4 6061 ALLOY, 31.6X350MM
SIZES	S, M, L, X
COLOR 1 (CODE)	JET BLACK W/REFLECTIVE DECALS (MATTE) (BBQ)
COLOR 2 (CODE)	
EXTRAS	

	QUICK SL 1
CODE	(2QR1)
FRAME	QUICK SL, OPTIMIZED 6061 ALLOY, SAVE
FORK	QUICK, CARBON BLADES, 1-1/8" STEERER
RIMS	ELEMENT C2
HUBS	ELEMENT C2
SPOKES	ELEMENT XERO BLADED STAINLESS
TIRES	CONTINENTAL SPORT CONTACT, 700X32C
PEDALS	QUICK ALLOY W/KRATON INSERTS
CRANK	SHIMANO 105 5700 TRIPLE, 50/39/30
BOTTOM BRACKET	SHIMANO 105 5700
CHAIN	KMC X10, 10-SPEED
REAR COGS	SHIMANO TIAGRA 4600, 12-28, 10 SPEED
FR. DERAILLEUR	SHIMANO R773, 31.8 CLAMP
REAR DERAILLEUR	SHIMANO 105 5700
SHIFTERS	SHIMANO TIAGRA 4600 FLATBAR
HANDLEBAR	CANNONDALE C3, BUTTED 6061 ALLOY, 25MM RISE, 620MM
GRIPS	CANNONDALE LOCK ON ERGO PERFORMANCE GRIPS, W/BAR ENDS
STEM	CANNONDALE C3, 31.8, 12 DEG.
HEADSET	TANGE SI
BRAKES	CANNONDALE C2 MINI V, CARTRIDGE PADS
BRAKE LEVERS	TEKTRO MT5.0 CARBON
SADDLE	CANNONDALE QUICK ERGO PERFORMANCE
SEATPOST	CANNONDALE C2, 2014 ALLOY, 2 BOLT, 27.2 X350MM
SIZES	S, M, L, X, J
COLOR 1 (CODE)	BRUSHED ALUMINUM (GLOSS) (RAW)
COLOR 2 (CODE)	

	BAD BOY 9
CODE	2BF9
FRAME	BAD BOY, OPTIMIZED 6061 ALLOY, 1-1/8" HEAD TUBE
FORK	CANNONDALE FATTY RIGID, 1-1/8" STEERER
RIMS	MADDOX C3 URBAN, 32 HOLE
HUBS	CANNONDALE C4 FRONT AND REAR
SPOKES	STAINLESS XD BLACK, 15G
TIRES	SCHWALBE KOJAK RACE GUARD, 700X28C
PEDALS	WELLGO PLATFORM
CRANK	SHIMANO M171, 48/38/28
BOTTOM BRACKET	TANGE CARTRIDGE, JIS
CHAIN	SHIMANO HG40 BLACK, 8-SPEED
REAR COGS	SUNRACE CSM668, 11-32, BAD BOY, 8-SPEED
FR. DERAILLEUR	SHIMANO ALTUS, 34.9 MM CLAMP
REAR DERAILLEUR	SHIMANO ALIVIO
SHIFTERS	SHIMANO M310 RAPIDFIRE PLUS
HANDLEBAR	CANNONDALE C4 ALLOY, FLAT, 620MM
GRIPS	CANNONDALE CITYSCAPE URBAN LOCK-ON BLACK CHROME
STEM	CANNONDALE C4, 6 DEG, 31.8
HEADSET	TANGE SI 1-1/8"
BRAKES	TEKTRO NOVELA MECHANICAL DISC, 160/160MM
BRAKE LEVERS	CANNONDALE C4
SADDLE	CANNONDALE BAD BOY URBAN
SEATPOST	CANNONDALE C4, ALLOY, 31.6X350MM
SIZES	S, M, L, X
COLOR 1 (CODE)	JET BLACK W/REFLECTIVE DECALS (MATTE) (BBQ)
COLOR 2 (CODE)	
EXTRAS	

	QUICK SL 2
CODE	2QR2
FRAME	QUICK SL, OPTIMIZED 6061 ALLOY, SAVE
FORK	QUICK, CARBON BLADES, 1-1/8" STEERER
RIMS	ELEMENT C3 - 700C (26" ON XS)
HUBS	ELEMENT C3
SPOKES	ELEMENT XERO STAINLESS
TIRES	CONTINENTAL SPORT CONTACT, 700X32C (26X1.3" ON XS)
PEDALS	QUICK ALLOY W/KRATON INSERTS
CRANK	SHIMANO SORA TRIPLE, 50/39/30
BOTTOM BRACKET	SHIMANO SORA
CHAIN	KMC Z99, 9-SPEED
REAR COGS	SRAM PG950 12-26, 9 SPEED
FR. DERAILLEUR	SHIMANO R443, 31.8 CLAMP
REAR DERAILLEUR	SHIMANO SORA
SHIFTERS	SHIMANO R440, RAPIDFIRE PLUS
HANDLEBAR	CANNONDALE C3, BUTTED 6061 ALLOY, 25MM RISE, 620MM
GRIPS	CANNONDALE LOCK ON ERGO PERFORMANCE.
STEM	CANNONDALE C3, 31.8, 12 DEG.
HEADSET	TANGE SI
BRAKES	CANNONDALE C2 MINI V, CARTRIDGE PADS
BRAKE LEVERS	TEKTRO R392A W/KRATON
SADDLE	CANNONDALE QUICK ERGO PERFORMANCE
SEATPOST	CANNONDALE C3, 6061 ALLOY, 2 BOLT, 27.2X350MM
SIZES	XS, S, M, L, X, J
COLOR 1 (CODE)	JET BLACK (GLOSS) (BLK)
COLOR 2 (CODE)	

	HOOLIGAN 1
CODE	2HL1
FRAME	NEW HOOLIGAN DELTA V, URBAN COMPACT, 20" WHEEL, 1.5 SI HEAD TUBE
FORK	CANNONDALE SOLO RIGID, OPI, 1.5" STEERER
RIMS	CANNONDALE DC3.0, 20", 32 HOLE
HUBS	CANNONDALE LEFTY SL FRONT, SHIMANO NEXUS 3-SPEED, CENTERLOCK DISC REAR
SPOKES	STAINLESS XD BLACK, 15G
TIRES	KENDA QUEST, 20 X 1.5"
PEDALS	CANNONDALE URBAN 6POINT3 ALLOY
CRANK	FSA VERO, SINGLE RING, DUAL ALLOY CHAINGUARD, 48T
BOTTOM BRACKET	CANNONDALE TP148 ECCENTRIC, TANGE CARTRIDGE, JIS
CHAIN	KMC Z72
REAR COGS	SHIMANO 16T
FR. DERAILLEUR	N/A
REAR DERAILLEUR	N/A
SHIFTERS	SHIMANO NEXUS REVO 3-SPEED
HANDLEBAR	CANNONDALE URBAN 6061, 620MM
GRIPS	CANNONDALE CITYSCAPE URBAN LOCK-ON GRIPS
STEM	CANNONDALE C3 ADJUSTABLE, 1.5", 3-D FORGED
HEADSET	TANGE CUSTOM 1.5"
BRAKES	SHIMANO M375 MECHANICAL DISC, 160/160MM
BRAKE LEVERS	CANNONDALE C3
SADDLE	CANNONDALE HOOLIGAN URBAN
SEATPOST	CANNONDALE C3, 2 BOLT, ALLOY 31.6X520MM
SIZES	ONE SIZE
COLOR 1 (CODE)	BERSERKER GREEN (GLOSS) (GRN)
COLOR 2 (CODE)	STEALTH GREY (GLOSS) (GRY)
EXTRAS	INTEGRATED SLIDE2GO ACCESSORY MOUNT

	QUICK 3
CODE	2QR3
FRAME	QUICK, BUTTED 6061 ALLOY, SAVE
FORK	QUICK, CARBON BLADES, 1-1/8" STEERER
RIMS	ELEMENT C3
HUBS	ELEMENT C3
SPOKES	ELEMENT XERO STAINLESS
TIRES	CONTINENTAL CITY CONTACT, 700X32C
PEDALS	QUICK ALLOY W/KRATON INSERTS
CRANK	SHIMANO M431, 48/36/26
BOTTOM BRACKET	TANGE CARTRIDGE
CHAIN	KMC Z99, 9-SPEED
REAR COGS	SRAM PG950, 12-26, 9 SPEED
FR. DERAILLEUR	SHIMANO ALIVIO, 31.8 CLAMP
REAR DERAILLEUR	SHIMANO DEORE
SHIFTERS	SHIMANO ALIVIO RAPIDFIRE PLUS
HANDLEBAR	CANNONDALE C4, 6061 ALLOY, 25MM RISE, 620MM
GRIPS	CANNONDALE LOCK ON ERGO PERFORMANCE.
STEM	CANNONDALE C4, 31.8, 12 DEG.
HEADSET	TANGE SI
BRAKES	CANNONDALE C3 MINI V, CARTRIDGE PADS
BRAKE LEVERS	TEKTRO R392A W/KRATON
SADDLE	CANNONDALE QUICK ERGO PERFORMANCE
SEATPOST	CANNONDALE C4, 6061 ALLOY, 27.2X350MM
SIZES	S, M, L, X, J
COLOR 1 (CODE)	INDIGO BLUE (GLOSS) (BLU)
COLOR 2 (CODE)	MAGNESIUM WHITE (GLOSS) (WHT)

	QUICK CARBON 1
CODE	2QRC1
FRAME	QUICK FULL CARBON, W/SAVE FEATURES
FORK	QUICK FULL CARBON SI, 1 1/8"
RIMS	MAVIC KSYRIUM ELITE
HUBS	MAVIC KSYRIUM ELITE
SPOKES	MAVIC KSYRIUM ELITE
TIRES	SCHWALBE MARATHON SUPREME, 700X28C
PEDALS	QUICK ALLOY W/KRATON INSERTS
CRANK	FSA SLK CARBON, BB30 , 50/34
BOTTOM BRACKET	FSA BB30
CHAIN	SHIMANO ULTEGRA 6700, 10-SPEED
REAR COGS	SHIMANO 5700, 11-28, 10-SPEED
FR. DERAILLEUR	SHIMANO 6700, BRAZE ON
REAR DERAILLEUR	SHIMANO 6700
SHIFTERS	SHIMANO TIAGRA, FLAT BAR
HANDLEBAR	CANNONDALE C2, POLISHED BLACK, 580MM
GRIPS	CANNONDALE ERGO LOCK-ON GRIPS
STEM	CANNONDALE C2, POLISHED BLACK
HEADSET	TANGE SI HEADSHOK
BRAKES	TEKTRO CX9 MINI V, CNC
BRAKE LEVERS	TEKTRO ML940
SADDLE	FIZIK ALJANTE
SEATPOST	QUICK FULL CARBON
SIZES	S, M, L, X, J
COLOR 1 (CODE)	RAW MATTE CARBON (CRB)
COLOR 2 (CODE)	
EXTRAS	

	QUICK 4
CODE	2QR4
FRAME	QUICK, BUTTED 6061 ALLOY, SAVE
FORK	QUICK, CARBON BLADES, 1-1/8" STEERER
RIMS	ELEMENT C3 - 700C (26" ON XS)
HUBS	ELEMENT C3
SPOKES	ELEMENT XERO STAINLESS
TIRES	KENDA KWICK TRAX, 700X32C (26X1.5" ON XS)
PEDALS	QUICK REINFORCED COMPOSITE W/KRATON INSERTS
CRANK	SHIMANO M171, 48/38/28
BOTTOM BRACKET	TANGE CARTRIDGE
CHAIN	KMC, 8-SPEED
REAR COGS	SUNRACE CSM668, 11-32, 8-SPEED
FR. DERAILLEUR	SHIMANO M191, 31.8 CLAMP
REAR DERAILLEUR	SHIMANO ALIVIO
SHIFTERS	SHIMANO M310 RAPIDFIRE PLUS
HANDLEBAR	CANNONDALE C4, 6061 ALLOY, 25MM RISE, 620MM
GRIPS	CANNONDALE ERGO PERFORMANCE.
STEM	CANNONDALE C4, 31.8, 12 DEG.
HEADSET	TANGE SI
BRAKES	CANNONDALE C4 MINI V
BRAKE LEVERS	CANNONDALE C3 W/KRATON
SADDLE	CANNONDALE QUICK ERGO PERFORMANCE
SEATPOST	CANNONDALE C4, 6061 ALLOY, 27.2X350MM
SIZES	XS, S, M, L, X, J
COLOR 1 (CODE)	JET BLACK (GLOSS) (BLK)
COLOR 2 (CODE)	CHARCOAL GREY (GLOSS) (GRY)

RECREATION / URBAN SPECIFICATIONS

	QUICK 5
CODE	2QR5
FRAME	QUICK, BUTTED 6061 ALLOY, SAVE
FORK	QUICK, 6061 ALLOY, 1-1/8" STEERER
RIMS	CANNONDALE C4, DOUBLE WALL, 32 HOLE
HUBS	CANNONDALE C4
SPOKES	STAINLESS, 15G
TIRES	KENDA KWICK TRAX, 700X32C
PEDALS	QUICK REINFORCED COMPOSITE W/KRATON INSERTS
CRANK	SHIMANO M131, 48/38/28
BOTTOM BRACKET	TANGE CARTRIDGE
CHAIN	KMC 8-SPEED
REAR COGS	SUNRACE CSM668, 11-32, 8-SPEED
FR. DERAILLEUR	SHIMANO M191, 31.8 CLAMP
REAR DERAILLEUR	SHIMANO ALTUS
SHIFTERS	SHIMANO M310 RAPIDFIRE PLUS
HANDLEBAR	CANNONDALE C4, 6061 ALLOY, 25MM RISE, 620MM
GRIPS	CANNONDALE ERGO PERFORMANCE.
STEM	CANNONDALE C4, 31.8, 12 DEG.
HEADSET	TANGE SI
BRAKES	CANNONDALE C4 MINI V
BRAKE LEVERS	CANNONDALE C3 W/KRATON
SADDLE	CANNONDALE QUICK ERGO PERFORMANCE
SEATPOST	CANNONDALE C4, 6061 ALLOY, 27.2X350MM
SIZES	S, M, L, X, J
COLOR 1 (CODE)	FINE SILVER (GLOSS) (SLV)
COLOR 2 (CODE)	

	QUICK CX 1
CODE	2QRX1
FRAME	QUICK CX HEADSHOK, OPTIMIZED 6061 ALLOY, SAVE
FORK	HEADSHOK FATTY DL50, 50 MM W/LOCKOUT, OPI
RIMS	MADDUX DC3.0, DOUBLE WALL W/EYELET, 32 HOLE
HUBS	SHIMANO DEORE M595 CENTERLOCK DISC
SPOKES	STAINLESS STEEL, XD BLACK W/ RED NIPPLES, 15G
TIRES	CONTINENTAL DOUBLE FIGHTER II, 700X37C
PEDALS	CANNONDALE PLATFORM, REINFORCED RESIN BODY
CRANK	SHIMANO M521, 48/36/26
BOTTOM BRACKET	SHIMANO BB-ES25, DCTALINK
CHAIN	KMC Z99, 9-SPEED
REAR COGS	SHIMANO HG30, 11-32, 9-SPEED
FR. DERAILLEUR	SHIMANO ALIVIO
REAR DERAILLEUR	SHIMANO SLX
SHIFTERS	SHIMANO DEORE
HANDLEBAR	CANNONDALE C3, 6061 DOUBLE BUTTED, 20MM RISE, 620MM
GRIPS	CANNONDALE URBAN ERGO LOCK-ON
STEM	CANNONDALE C3 HEADSHOK, 3-D FORGED, 31.8, 12 DEG
HEADSET	TANGE SI HEADSHOK
BRAKES	SHIMANO M505 HYDRAULIC DISC, 160/160MM
BRAKE LEVERS	SHIMANO M505 HYDRAULIC DISC
SADDLE	CANNONDALE QUICK CX
SEATPOST	CANNONDALE C3, 2 BOLT, 2014 ALLOY, 31.6X350MM
SIZES	S, M, L, X, J
COLOR 1 (CODE)	BRUSHED ALUMINUM (GLOSS) (RAW)
COLOR 2 (CODE)	

	QUICK CX 2
CODE	2QRX2
FRAME	QUICK CX , OPTIMIZED 6061 ALLOY, SAVE, 1.5" HEAD TUBE
FORK	RST NEON PRO CUSTOM 1.5" TREKKING, TNL LOCKOUT, 50MM
RIMS	MADDUX DC3.0, DOUBLE WALL W/EYELET, 32 HOLE
HUBS	SHIMANO M435 ALIVIO CENTERLOCK DISC
SPOKES	STAINLESS STEEL, XD BLACK W/RED NIPPLES, 15G
TIRES	CONTINENTAL DOUBLE FIGHTER II, 700X37C
PEDALS	CANNONDALE PLATFORM, REINFORCED RESIN BODY
CRANK	SHIMANO M431, 48/36/26
BOTTOM BRACKET	TANGE SEIKI CARTRIDGE
CHAIN	KMC Z99, 9-SPEED
REAR COGS	SHIMANO HG30, 11-32, 9-SPEED
FR. DERAILLEUR	SHIMANO ALIVIO
REAR DERAILLEUR	SHIMANO DEORE
SHIFTERS	SHIMANO ALIVIO
HANDLEBAR	CANNONDALE C3, 6061 DOUBLE BUTTED, 20MM RISE, 620MM
GRIPS	CANNONDALE URBAN ERGO LOCK-ON
STEM	CANNONDALE C3, 1.5", 3-D FORGED, 31.8, 12 DEG
HEADSET	TANGE CUSTOM 1.5"
BRAKES	SHIMANO M446 HYDRAULIC DISC, 160/160MM
BRAKE LEVERS	SHIMANO M446 HYDRAULIC DISC
SADDLE	CANNONDALE QUICK CX ERGO
SEATPOST	CANNONDALE C3, 2 BOLT, 2014 ALLOY, 31.6X350MM
SIZES	S, M, L, X, J
COLOR 1 (CODE)	JET BLACK (GLOSS) (BLK)
COLOR 2 (CODE)	

	QUICK CX 3
CODE	2QRX3
FRAME	QUICK CX , OPTIMIZED 6061 ALLOY, SAVE, 1.5" HEAD TUBE
FORK	RST NEON PRO CUSTOM 1.5" TREKKING ML LOCKOUT 50MM
RIMS	MADDUX DC3.0, DOUBLE WALL W/EYELET, 32 HOLE
HUBS	CANNONDALE C4
SPOKES	STAINLESS STEEL, XD BLACK W/RED NIPPLES, 15G
TIRES	CONTINENTAL DOUBLE FIGHTER II, 700X37C
PEDALS	CANNONDALE PLATFORM, REINFORCED RESIN BODY
CRANK	SHIMANO M171, 48/38/28
BOTTOM BRACKET	TANGE SEIKI CARTRIDGE
CHAIN	KMC Z82, 8-SPEED
REAR COGS	SUNRACE CS666, 11-32, 8-SPEED
FR. DERAILLEUR	SHIMANO M191
REAR DERAILLEUR	SHIMANO ALIVIO
SHIFTERS	SHIMANO ACERA
HANDLEBAR	CANNONDALE C4, 6061, 25MM RISE, 620MM
GRIPS	CANNONDALE URBAN ERGO LOCK-ON
STEM	CANNONDALE C3, 1.5", 3-D FORGED, 31.8, 12 DEG
HEADSET	TANGE CUSTOM 1.5"
BRAKES	TEKTRO NOVELA MECHANICAL DISC, 160/160MM
BRAKE LEVERS	CANNONDALE C4
SADDLE	CANNONDALE QUICK CX ERGO
SEATPOST	CANNONDALE C4, ALLOY, 31.6X350MM
SIZES	S, M, L, X, J
COLOR 1 (CODE)	MAGNESIUM WHITE (GLOSS) (WHT)
COLOR 2 (CODE)	

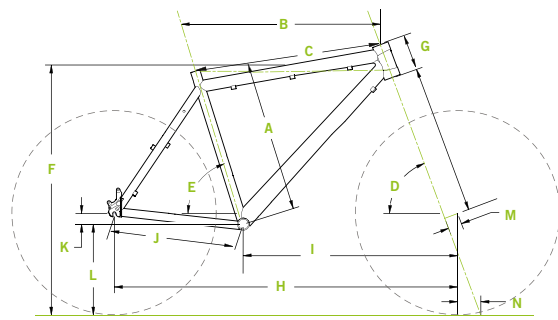
	QUICK CX 4
CODE	2QRX4
FRAME	QUICK CX RIGID, OPTIMIZED 6061 ALLOY, SAVE, 1-1/8" HEAD TUBE
FORK	FATTY RIGID DISC
RIMS	MADDUX DC3.0, DOUBLE WALL W/EYELET, 32 HOLE
HUBS	CANNONDALE C4
SPOKES	STAINLESS STEEL XD BLACK, 15G
TIRES	CONTINENTAL DOUBLE FIGHTER II, 700X37C
PEDALS	CANNONDALE PLATFORM, REINFORCED RESIN BODY
CRANK	SHIMANO M-171 48/38/28
BOTTOM BRACKET	TANGE SEIKI CARTRIDGE
CHAIN	KMC Z82, 8-SPEED
REAR COGS	SUNRACE CS666, 11-32, 8-SPEED
FR. DERAILLEUR	SHIMANO M191
REAR DERAILLEUR	SHIMANO ACERA
SHIFTERS	SHIMANO ALTUS
HANDLEBAR	CANNONDALE C4, 6061, 25MM RISE, 620MM
GRIPS	CANNONDALE URBAN ERGO
STEM	CANNONDALE C4, 1-1/8", 31.8, 12 DEG
HEADSET	TANGE 1-1/8"
BRAKES	TEKTRO NOVELA MECHANICAL DISC, 160/160MM
BRAKE LEVERS	CANNONDALE C4
SADDLE	CANNONDALE QUICK CX ERGO
SEATPOST	CANNONDALE C4, ALLOY, 31.6X350MM
SIZES	S,M,L,X,J
COLOR 1 (CODE)	JET BLACK (GLOSS) (BLK)
COLOR 2 (CODE)	

	ADVENTURE 2
CODE	2AS2
FRAME	ADVENTURE, DOUBLE BUTTED 6061 ALLOY
FORK	ADVENTURE TRAIL SI SUSPENSION, 35MM, 1-1/8" STEERER
RIMS	CANNONDALE C3, DOUBLE WALL, 32 HOLE
HUBS	CANNONDALE C4
SPOKES	STAINLESS, 14G
TIRES	KENDA KWICK TRAX, 700X38C
PEDALS	FPD PLATFORM W/KRATON INSERTS
CRANK	SHIMANO M311, 48/38/28
BOTTOM BRACKET	TANGE CARTRIDGE
CHAIN	KMC 8-SPEED
REAR COGS	SUNRACE CSM66, 11-32, 8-SPEED
FR. DERAILLEUR	SHIMANO M-191
REAR DERAILLEUR	SHIMANO ALIVIO
SHIFTERS	SHIMANO REVO TWIST TYPE
HANDLEBAR	CANNONDALE C4, 50MM RISE, ALLOY, 620MM
GRIPS	CANNONDALE ERGO LOCK-ON GRIPS
STEM	TRANZ X COMFORT GRIP, TOOL-FREE ADJUSTMENT
HEADSET	TANGE SEMI INTEGRATED
BRAKES	CANNONDALE V BRAKE W/MODULATOR
BRAKE LEVERS	CANNONDALE, 4 FINGER W/KRATON COMFORT INSERT
SADDLE	CANNONDALE ULTRA COMFORT
SEATPOST	CANNONDALE SUSPENSION, 40MM TRAVEL, 27.2X350MM
SIZES	S, M, L, X, J
COLOR 1 (CODE)	JET BLACK (GLOSS) (BLK2)
EXTRAS	

	ADVENTURE 3
CODE	2AS3
FRAME	ADVENTURE, DOUBLE BUTTED 6061 ALLOY
FORK	RST SOFI T, 50MM, 1-1/8" STEERER
RIMS	CANNONDALE C3, DOUBLE WALL, 32 HOLE
HUBS	CANNONDALE C4
SPOKES	STAINLESS, 14G
TIRES	KENDA KWICK TRAX, 700X38C
PEDALS	FPD PLATFORM W/KRATON INSERTS
CRANK	SHIMANO M131, 48/38/28
BOTTOM BRACKET	TANGE CARTRIDGE
CHAIN	KMC 8-SPEED
REAR COGS	SUNRACE CSM66, 11-32, 8-SPEED
FR. DERAILLEUR	SHIMANO M-191
REAR DERAILLEUR	SHIMANO ACERA
SHIFTERS	SHIMANO REVO TWIST TYPE
HANDLEBAR	CANNONDALE C4, 50MM RISE, ALLOY, 620MM
GRIPS	CANNONDALE ERGO LOCK-ON GRIPS
STEM	TRANZ X COMFORT GRIP, TOOL-FREE ADJUSTMENT, QUILL TYPE
HEADSET	TANGE SEMI INTEGRATED
BRAKES	CANNONDALE V BRAKE W/MODULATOR
BRAKE LEVERS	CANNONDALE, 4 FINGER W/KRATON COMFORT INSERT
SADDLE	CANNONDALE ULTRA COMFORT
SEATPOST	CANNONDALE SUSPENSION, 40MM TRAVEL, 27.2X350MM
SIZES	S, M, L, X, J
COLOR 1 (CODE)	INDIGO BLUE (GLOSS) (BLU)
EXTRAS	

	ADVENTURE 3 26"
CODE	2CS3
FRAME	ADVENTURE 26", DOUBLE BUTTED 6061 ALLOY
FORK	RST SOFI T 26", 50MM, 1-1/8" STEERER
RIMS	CANNONDALE C3, DOUBLE WALL, 26", 32 HOLE
HUBS	CANNONDALE C4
SPOKES	STAINLESS, 14G
TIRES	KENDA K1052, 26 X 2.1"
PEDALS	FPD PLATFORM W/KRATON INSERTS
CRANK	SHIMANO M131, 48/38/28
BOTTOM BRACKET	TANGE CARTRIDGE
CHAIN	KMC 8-SPEED
REAR COGS	SUNRACE CSM66, 11-32, 8-SPEED
FR. DERAILLEUR	SHIMANO M-191
REAR DERAILLEUR	SHIMANO ACERA
SHIFTERS	SHIMANO REVO TWIST TYPE
HANDLEBAR	CANNONDALE C4, 50MM RISE, ALLOY, 620MM
GRIPS	CANNONDALE ERGO LOCK-ON GRIPS
STEM	TRANZ X COMFORT GRIP, TOOL-FREE ADJUSTMENT, QUILL TYPE
HEADSET	TANGE SEMI INTEGRATED
BRAKES	CANNONDALE V BRAKE W/MODULATOR
BRAKE LEVERS	CANNONDALE, 4 FINGER W/KRATON COMFORT INSERT
SADDLE	CANNONDALE ULTRA COMFORT
SEATPOST	CANNONDALE SUSPENSION, 40MM TRAVEL, 27.2X350MM
SIZES	S, M, L, X, J
COLOR 1 (CODE)	INDIGO BLUE (GLOSS) (BLU)
EXTRAS	

	ROAD TANDEM 2
CODE	9RT2
FRAME	CAAD TANDEM, OPTIMIZED, 6061 ALLOY, 700C
FORK	FATTY R TANDEM RIGID, 1-1/8" STEERER
RIMS	SUN ME14A W/EYELET AND MACHINED SIDEWALL, 40 HOLE
HUBS	WHITE INDUSTRIES MI6 DISC
SPOKES	DT SWISS CHAMPION, 14G
TIRES	CONTINENTAL ULTRA GATORSKIN, 700X28C
PEDALS	N/A
CRANK	FSA GOSSAMER TANDEM, 53/39/30
BOTTOM BRACKET	FSA MEGAEXO
CHAIN	SHIMANO 105, 115, KMC 8-SPEED TIMING
REAR COGS	IRD, 11-32, 10-SPEED
FR. DERAILLEUR	SHIMANO ULTEGRA 6700
REAR DERAILLEUR	SHIMANO ULTEGRA 6700
SHIFTERS	SHIMANO ULTEGRA 6700, 10-SPEED
HANDLEBAR	FSA GOSSAMER, 31.8 FRONT, STOKER REAR
GRIPS	CANNONDALE 3MM SUEDE W/GEL BACKING BAR TAPE
STEM	CANNONDALE C3 FRONT, 31.8 STOKER REAR
HEADSET	TANGE INTEGRATED
BRAKES	AVID BB7 ROAD DISC
BRAKE LEVERS	SHIMANO ULTEGRA 6700
SADDLE	FIZIK ALJANTE DELTA MG
SEATPOST	THOMSON ELITE 27.2X410, CANNONDALE C2 316X400
SIZES	M/S, L/S, X/S, J/M
COLOR 1 (CODE)	LIGHTNING WHITE (GLOSS) (WHT)
EXTRAS	



BADBOY HEADSHOK

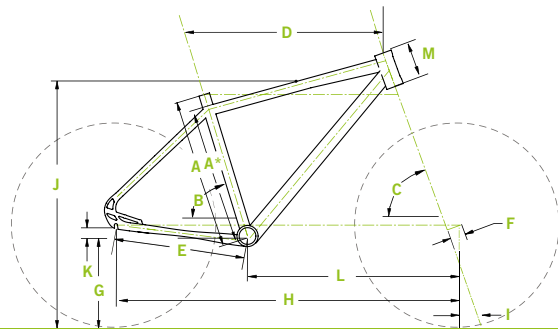
SPECIFICATIONS	SMALL	MEDIUM	LARGE	X-LARGE
A SEAT TUBE OVERALL LENGTH (CM/IN)	39/15.4	46/18.1	51/20.1	56/22.0
B TOP TUBE HORIZONTAL (CM)	55	57.5	60	62
C TOP TUBE ACTUAL (CM/IN)	52.1/20.5	54.7/21.5	57.3/22.6	59.7/23.5
D HEAD TUBE ANGLE	70	71	★	★
E SEAT TUBE ANGLE	74.5	73.5	73	72.5
F STANDOVER HEIGHT (CM)	77	80.4	82.6	84.7
G HEAD TUBE LENGTH (CM)	11.4	★	★	★
H WHEELBASE (CM)	104.4	105.8	108.1	109.8
I FRONT CENTER (CM)	61.4	62.8	65.1	66.8
J CHAIN STAY LENGTH (CM)	43.5	★	★	★
K BOTTOM BRACKET DROP (CM)	5.1	★	★	★
L BOTTOM BRACKET HEIGHT (CM)	29.5	★	★	★
M FORK RAKE (CM)	4.5	★	★	★
N TRAIL (CM)	7.8	7.2	★	★

BAD BOY

SPECIFICATIONS	SMALL	MEDIUM	LARGE	X-LARGE
A SEAT TUBE LENGTH (CM/IN)	39/15.4	46/18.1	51/20.1	56/22.0
B TOP TUBE HORIZONTAL (CM/IN)	55	57.5	60	62
C TOP TUBE ACTUAL (CM/IN)	52.1/20.5	54.7/21.5	57.3/22.6	59.7/23.5
D HEAD TUBE ANGLE (DEGREES)	70	71	★	★
E SEAT TUBE ANGLE (DEGREES)	74.5	73.5	73	72.5
F STANDOVER AT TOP TUBE MIDPOINT (CM/IN)	73.9	78.2	81.4	84.5
G HEAD TUBE LENGTH (CM/IN)	13	15	17	19
H WHEELBASE (CM/IN)	104.4	105.8	108.1	109.8
I FRONT CENTER (CM/IN)	61.4	62.8	65.1	66.8
J CHAIN STAY LENGTH (CM/IN)	43.5	★	★	★
K BOTTOM BRACKET DROP (CM/IN)	5.1	★	★	★
L BOTTOM BRACKET HEIGHT (CM/IN)	73.9	78.2	81.4	84.5
M FORK RAKE (CM/IN)	4.5	★	★	★
N TRAIL (CM/IN)	7.8	7.2	★	★

HOOLIGAN

SPECIFICATIONS	ONE SIZE
A SEAT TUBE LENGTH (CM/IN)	35/14.6
B TOP TUBE HORIZONTAL (CM/IN)	58.0
C TOP TUBE ACTUAL (CM/IN)	54.7/21.5
D HEAD TUBE ANGLE (DEGREES)	70
E SEAT TUBE ANGLE (DEGREES)	73
F STANDOVER AT TOP TUBE MIDPOINT (CM/IN)	60
G HEAD TUBE LENGTH (CM/IN)	17.1
H WHEELBASE (CM/IN)	106
I FRONT CENTER (CM/IN)	66.2
J CHAIN STAY LENGTH (CM/IN)	40
K BOTTOM BRACKET DROP (CM/IN)	3.6
L BOTTOM BRACKET HEIGHT (CM/IN)	30.5
M FORK RAKE (CM/IN)	4.5
N TRAIL (CM/IN)	2.6



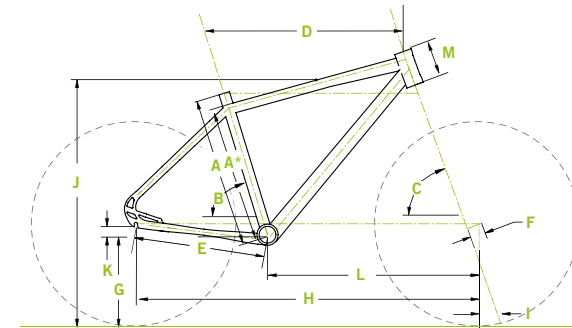
QUICK CARBON

SPECIFICATIONS	SMALL	MEDIUM	LARGE	X-LARGE	JUMBO
WHEEL SIZE	-	-	-	-	-
A* MEASURED SIZE (CM/IN)*	38.5/15.2	41/16.1	46/18.1	51/20.1	57/22.4
B SEAT TUBE ANGLE	75	76	74.5	73	72.5
C HEAD TUBE ANGLE	71	71	71.5	72	72.5
D HORIZONTAL TOP TUBE LENGTH (CM)	53.5	53.5	56	58.5	62
E CHAIN STAY LENGTH (CM)	43	★	★	★	★
F FORK RAKE (CM)	5.0	★	★	★	★
G BOTTOM BRACKET HEIGHT (CM)	27.4	★	★	★	★
H WHEELBASE (CM)	101.4	102.3	103.9	104.8	107.5
I TRAIL (CM)	6.6	6.5	6.2	5.9	5.6
J STANDOVER HEIGHT (CM)	73.8	75.0	78.7	82.8	87.0
K BOTTOM BRACKET DROP (CM)	7.0	★	★	★	★
L FRONT CENTER (CM)	59.5	60.4	61.9	62.8	65.4
M HEAD TUBE LENGTH (CM)	14	13	16	19	22

QUICK SL AND QUICK

SPECIFICATIONS	X-SMALL	SMALL	MEDIUM	LARGE	X-LARGE	JUMBO
WHEEL SIZE	26"	700C	700C	700C	700C	700C
A* MEASURED SIZE (CM/IN)*	32.0/12.6	38.5/15.2	41.0/16.1	46.0/18.1	51.0/20.1	57.0/22.4
B SEAT TUBE ANGLE	76	75	75	74.5	73	72.5
C HEAD TUBE ANGLE	70.5	70.5	70.5	71	71.5	72
D HORIZONTAL TOP TUBE LENGTH (CM)	50.5	535	54.5	56	58.5	62
E CHAIN STAY LENGTH (CM)	43.5	★	★	★	★	★
F FORK RAKE (CM)	5	★	★	★	★	★
G BOTTOM BRACKET HEIGHT (CM)	27.4	★	★	★	★	★
H WHEELBASE (CM)	100.5	102.4	103.7	104.7	105.7	108.4
I TRAIL (CM)	6.2	6.9	6.9	6.6	6.2	5.9
J STANDOVER HEIGHT (CM)	68.9	74.5	75.9	79.3	83.1	87.3
K BOTTOM BRACKET DROP (CM)	5.1	7.0	★	★	★	★
L FRONT CENTER (CM)	57.5	60.0	61.1	62.2	63.2	65.9
M HEAD TUBE LENGTH (CM)	14	14	15	17	20	23

★ Indicates same as previous



SPECIFICATIONS	SMALL	MEDIUM	LARGE	X-LARGE	JUMBO
A* MEASURED SIZE (CM/IN)*	40.2/15.8	44.2/17.4	48.2/19.5	52.2/20.5	56.2/22.1
B SEAT TUBE ANGLE	74	73.5	73	73	72.5
C HEAD TUBE ANGLE	69	69	70	70.5	71.5
D HORIZONTAL TOP TUBE LENGTH (CM)	54	55	56.5	58	60.5
E CHAIN STAY LENGTH (CM)	45	H	H	H	H
F FORK RAKE (CM)	4.5	H	H	H	H
G BOTTOM BRACKET HEIGHT (CM)	28.0	H	H	H	H
H WHEELBASE (CM)	104.9	105.8	106.2	107.5	108.6
I TRAIL (CM)	8.5	8.5	7.8	7.5	6.9
J STANDOVER HEIGHT (CM)	76.1	79.2	82.2	85.0	87.4
J STANDOVER HEIGHT (CM) HEADSHOK	75.3	77.9	80.0	82.4	85.0
K BOTTOM BRACKET DROP (CM)	6.7	H	H	H	H
L FRONT CENTER (CM)	60.7	61.6	62.1	63.3	64.5
M HEAD TUBE LENGTH (CM) HEADSHOK	11.4	H	H	H	H
M HEAD TUBE LENGTH (CM)	14	15	16	17	18

QUICK CX HEADSHOK AND QUICK CX

ADVENTURE

SPECIFICATIONS	SMALL	MEDIUM	LARGE	X-LARGE	JUMBO
A SEAT TUBE LENGTH OVERALL (CM/IN)	35.6/14.0	40.6/16.0	45.7/18.0	53.3/21.0	61.0/24.0
B SEAT TUBE ANGLE	70	★	★	★	★
C HEAD TUBE ANGLE	69	★	★	★	★
D HORIZONTAL TOP TUBE LENGTH (CM)	56.5	57.2	58	59	60
E CHAIN STAY LENGTH (CM)	46.5	★	★	★	★
F FORK RAKE (CM)	4.5	★	★	★	★
G BOTTOM BRACKET HEIGHT (CM)	28.0	★	★	★	★
H WHEELBASE (CM)	105.4	106.2	107.1	108.2	109.4
I TRAIL (CM)	8.5	★	★	★	★
J STANDOVER HEIGHT (CM)	70	73.2	77.2	82.2	86.3
K BOTTOM BRACKET DROP (CM)	6.8	★	★	★	★
L FRONT CENTER (CM)	59.8	60.6	61.4	62.3	63.7
M HEAD TUBE LENGTH (CM)	13.6	13.6	15.6	17.1	17.1

ADVENTURE 26"

SPECIFICATIONS	SMALL	MEDIUM	LARGE	X-LARGE	JUMBO
A SEAT TUBE LENGTH OVERALL (CM/IN)	35.6/14.0	40.6/16.0	45.7/18.0	53.3/21.0	61.0/24.0
B SEAT TUBE ANGLE	70	★	★	★	★
C HEAD TUBE ANGLE	69	★	★	★	★
D HORIZONTAL TOP TUBE LENGTH (CM)	55	55.7	56.5	58	59.5
E CHAIN STAY LENGTH (CM)	45.7	★	★	★	★
F FORK RAKE (CM)	4.5	★	★	★	★
G BOTTOM BRACKET HEIGHT (CM)	30.3	★	★	★	★
H WHEELBASE (CM)	104.2	105.0	105.9	107.6	109.2
I TRAIL (CM)	8.5	★	★	★	★
J STANDOVER HEIGHT (CM)	70.8	73.9	77.8	82.7	86.7
K BOTTOM BRACKET DROP (CM)	4.5	★	★	★	★
L FRONT CENTER (CM)	59.8	60.6	61.4	62.3	63.7
M HEAD TUBE LENGTH (CM)	13.6	13.6	15.6	17.1	17.1

ROAD TANDEM

SPECIFICATIONS	M/S	L/S	X/S	J/M
A FRONT SEAT TUBE ANGLE (DEGREES)	73	★	★	★
B REAR SEAT TUBE ANGLE (DEGREES)	73	★	★	★
C HEAD TUBE ANGLE (DEGREES)	73	★	★	★
D HORIZONTAL FRONT TOP TUBE LENGTH (IN/CM)	21.5/54.5	22.0/56.0	22.6/57.5	23.6/60.0
E HORIZONTAL REAR TOP TUBE LENGTH (IN/CM)	28.6/72.6	★	★	29.1/73.9
F FRONT SEAT TUBE OVERALL LENGTH (IN/CM)	19.0/48.3	20.0/50.8	22.0/55.9	23.0/58.4
G REAR SEAT TUBE OVERALL LENGTH (IN/CM)	17.0/43.2	★	★	19.0/48.3
H REAR SEAT TUBE MEASURED LENGTH (IN/CM)	15.6/39.7	15.6/39.7	17.0/43.2	19.0/48.3
I HEAD TUBE LENGTH (IN/CM)	5.9/15.0	6.5/16.5	7.1/18.0	7.9/20.0
J CHAIN STAY LENGTH (IN/CM)	17.4/44.2	★	★	★
K FORK RAKE (IN/CM)	2.1/5.3	★	★	★
L FRONT BOTTOM BRACKET HEIGHT (IN/CM)	10.8/27.4	★	★	★
M REAR BOTTOM BRACKET HEIGHT (IN/CM)	10.5/26.7	★	★	★
N WHEELBASE (IN/CM)	68.4/173.6	69.0/175.1	69.5/176.6	71.0/180.4
O TRAIL (IN/CM)	2.0/5.1	★	★	★
P FRONT STANDOVER AT TOP TUBE MIDPOINT (IN/CM)	28.2/71.7	30.6/77.7	31.6/80.3	32.5/82.6
Q REAR STANDOVER AT TOP TUBE MIDPOINT (IN/CM)	25.4/64.6	26.3/66.8	27.6/70.2	29.5/74.0
R FRONT BOTTOM BRACKET DROP (IN/CM)	2.9/7.4	★	★	★
S REAR BOTTOM BRACKET DROP (IN/CM)	3.2/8.1	★	★	★
T FRONT CENTER DISTANCE (IN/CM)	22.9/58.3	23.5/59.7	24.1/61.2	25.1/63.7

REGISTERED TRADEMARKS ® OF THE CYCLING SPORTS GROUP, INC.:

Cannondale, the Cannondale "C" logo, Daytripper, Feel It, Fatty, Gemini, Jekyll, Lefty, Optimo, Perp, Prophet, Scalpel, Slice, Synapse, SystemSix, Hooligan.

TRADEMARKS ™ OF THE CYCLING SPORTS GROUP, INC.:

BB30, CAAD (Cannondale Advanced Aluminum Design), Caffeine, Capo, Chase, CO2, HeadShok, Hi-MOD, Hollowgram, Judge, Just for Women, Moto, PowerPyramid, Quick, Q-Lab, Rize, RZ, Rush, S.A.V.E., Si, SuperSix, System Integration, Taurine, The Cut. BallisTec Carbon, SmartFormed Alloy, ECS-TC (Enhanced Center-Stiffness, Torsion Control) System, Zero Pivot, Lexi, Scarlet, Cannondale Factory Racing.

Liquigas-Doimo, FSA, Mavic, Campagnolo, SRM, Speedplay, Schwalbe, Elite, Sci Con CFR, fi'zi:k, RockShox, SRAM, MET, crankbrothers, Avid, Cannondale - Cyclocrossworld.com: Zipp, Prologo, crankbrothers, TRP, Control Tech are sponsorship partners and their trademarks are used with their permission. FOX and FOX RLC are trademarks of FOX Factory Inc. and are used with their permission. Solo Air, RockShox, XLoc and PopTop are trademarks of SRAM and are used with their permission. X-12 is a trademark of Syntace GmbH and is used with their permission. EVO is a trademark of Aprebic Industry Co. Ltd. and used under license.

WWW.CANNONDALE.COM

Please visit cannondale.com to learn more about Cannondale and the 2012 bikes! Specifications subject to change without notice.

Please refer to www.cannondale.com for the most recent specifications.

NO WEIGHTS?

Don't believe the hype. Scales differ, and marketing departments have been known to fib. The best way to compare bike weights is to head to your local bike shop. Grab two comparably spec'd and built bikes, and ask the proprietor for a scale. Hang 'em high, and see who's the lightest.

SPECIAL THANKS GOES TO:

ALE DI LULLO PHOTOGRAPHY

ANDREA PATERNO

BRIAN HODES/VELO IMAGES

BRIAN VERNOR

CHRIS MILLIMAN PHOTOGRAPHY

CHRIS VANDERYAJT

COMPETITIVE IMAGE

DANNY MUNSON

DEAN "BLOTTO" GRAY

DH PRODUCTIONS

EGO PROMOTION/MAASEWERD
AND KUESTENBRUECK

GARDY RAYMOND

GREG GERMAIN

HAVERTKORT DEKKER FOTOGRAFIE

JAKE HAMM

KIRSTEN BEGG-SWIDER

KYLE ARCOMANO

LOREN SYNDER

MARCO TONIOLO

MATTHEW DELORME

MIKE KARCHER/WIX PIX

NAVONE STUDIOS

REBECCA MARSHALL

RED BULL

RICHARD STABLER

ROBERTO BETTINI PHOTO

SINCERE PHOTO AND DESIGN

SVEN MARTIN

WIL MATTHEWS

WTB

OUR RIDERS

OUR VENDORS

OUR DEALERS

AND YOU FOR RIDING A CANNONDALE

cannondale

CSG
CYCLING SPORTS GROUP™

DOREL