

2011 BICYCLES



cannondale

40 YEARS.

MOUNTAIN

| FULL SUSPENSION | HARDTAIL | 29'ER |
|-----------------|---------------------|-----------------------|
| CLAYMORE 8 | FLASH CARBON 28 | FLASH CARBON 29'ER 38 |
| JEKYLL 10 | FLASH 32 | FLASH 29'ER 41 |
| HEADSHOK 16 | TRAIL SL / TRAIL 34 | TRAIL SL 29'ER 41 |
| RZ 120 20 | | |
| SCALPEL 24 | | |

ROAD

| ELITE ROAD | PERFORMANCE ROAD | TRIATHLON / TIME TRIAL | CYCLOCROSS |
|-------------|------------------|------------------------|------------|
| SUPERSIX 44 | SYNAPSE 56 | SLICE 62 | SUPERX 66 |
| CAAD10 50 | | | CAADX 69 |
| CAAD8 54 | | | |

RECREATION URBAN

| | |
|-------------------------|------------|
| BAD BOY 74 | TESORO 84 |
| HOOLIGAN 79 | STREET 87 |
| QUICK CX CARBON ULT. 80 | VINTAGE 88 |
| QUICK CX 82 | |

WOMEN'S

| FULL SUSPENSION | HARDTAIL | ELITE ROAD | PERFORMANCE ROAD |
|-----------------|---------------------|-------------|------------------|
| LEXI 92 | FLASH / TRAIL SL 94 | SUPERSIX 96 | SYNAPSE 98 |

INFO

| |
|---------------------|
| SPECIFICATIONS 100 |
| GEOMETRY CHARTS 110 |
| DISTRIBUTORS 115 |

2011 we celebrate our 40th anniversary. If you listen to conventional wisdom, 40 is the time to stick to the path, get comfortable in your role in life and start thinking about your retirement plan. Yeah, right.

If we'd listened to convention we'd never have Lefty or On or SuperSix or HeadShok or BB30, or in the very beginning, oversized aluminum, for that matter, or any other of the many breakthrough bikes and technologies we've developed.

That said, we never settle for what we've done, never rest on our laurels, always strive to make bikes for you that have tangible benefits and quantum improvements. Bikes that are lighter, stronger, better. That simply put, just improve the ride. It's a process that never stops. A quest that never ends.

40 years ago someone had a simple idea: to make products that were better. While much at Cannondale has changed since then, that one thing remains the same. In this regard, 2011 is no different for us. Improve the ride. Make it faster. Make it Better.

Get ready for Better.



INTERNATIONAL MOUNTAIN BICYCLING ASSOCIATION

2011 GET READY FOR BETTER.

**BETTER SUSPENSION. BETTER HANDLING. BETTER WEIGHT.
BETTER EFFICIENCY. BETTER STIFFNESS. BETTER COMFORT.
BETTER STYLE. BETTER PERFORMANCE. BETTER RIDE.**

**NO MATTER WHAT ASPECT OF CYCLING YOU VALUE MOST,
WE'VE FIGURED OUT A WAY TO MAKE IT BETTER.**

1 OVERMOUNTAIN BIKES

OverMountain does what "all-mountain" can't. For anyone who's ever wished they could ride their XC bike to the top of the hill and their long-travel bike back down, we present the OverMountain bikes; a family of dual-travel, dual-personality superbikes so versatile and so capable that they needed a category all their own.

2 SCALPEL

Simply put, the all-new Scalpel is the lightest, stiffest, fastest, winningest dual-suspension XC race bike in the world. Featuring the legendary Zero Pivot suspension system, BallisTec carbon construction and a full complement of System Integrated components, the Scalpel is the ultimate race weapon for World Cup warriors.

3 SUPERSIX

Whether carrying Ivan Basso to victory in the 2010 Giro d'Italia, or Peter Sagan to stage victories and the Best Young Rider classification in the Tour of California, the SuperSix is living up to its reputation as one of the best road racing machines on the planet. Phenomenal stiffness-to-weight, surprising comfort and Cannondale's famous lively, communicative ride-feel create a bike that feels like an extension of your body. Don't settle for the dead, wooden feel of other carbon bikes. Connect. With SuperSix.

4 CAAD10

How could we improve on the finest aluminum road bike in the world, the CAAD9? Simple. We completely redesigned it, making it even lighter, stiffer, and smoother. At a mere 1150 grams, with incredible power transfer and the bump eating smoothness of the SAVE micro suspension system, the CAAD10 is going to give some of our competitors fits trying to explain why someone would want to pay so much more for their heavier, harsher carbon race frames.



For more information check out our website at www.cannondale.com

GO BIG

FULL SUSPENSION

| | |
|---------------|-------|
| CLAYMORE | 8-9 |
| JEKYLL | 10-15 |
| HEADSHOK | 16-19 |
| RZ ONE TWENTY | 20-23 |
| SCALPEL | 24-27 |

HARDTAIL

| | |
|------------------|-------|
| FLASH CARBON | 28-32 |
| FLASH | 32-33 |
| TRAIL SL / TRAIL | 34-37 |

29'ER

| | |
|--------------------|-------|
| FLASH CARBON 29'ER | 38-39 |
| FLASH 29'ER | 41 |
| TRAIL SL 29'ER | 41 |

OVERMOUNTAIN

DOES WHAT “ALL-MOUNTAIN” CAN’T.



CLAYMORE



JEKYLL

The new OverMountain category from Cannondale is a family of go anywhere, ride anything, two-bikes-in-one superbikes that actually do what “all-mountain” bikes can only claim to do; excel at both climbing and descending.

Until now, the “all-mountain” category has been synonymous with “compromise”: what’s good for going up is not so good for going down and vice versa. They demand different things – different travel, different suspension response, different geometry. That’s the inherent challenge of designing “all-mountain” bikes; working with one frame, one shock and one geometry forces you to choose what aspects of performance must be sacrificed to gain performance elsewhere.

Cannondale’s engineers realized that in order to break out of the boundaries and compromises that define the “all-mountain” category, they would have to create something new. We needed bikes that are light and stiff enough to satisfy the climbers, yet tough and precise enough to thrill the descenders. We needed bikes that can actually adapt to the differing demands of climbing versus descending; bikes that can instantly change their travel, damping, and geometry, at the flick of a switch. Bikes that truly are two different bikes in one package. The result was OverMountain. Work less on the climbs. Rip harder on the descents. Smile more everywhere.

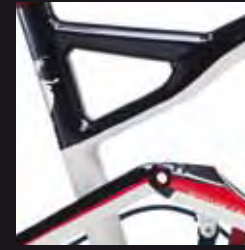
Mountain biking just got a lot more fun.

KEY OVERMOUNTAIN TECHNOLOGIES.



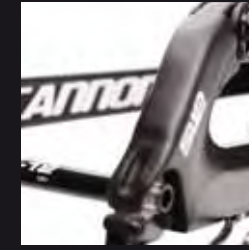
1 BALLISTEC CARBON CONSTRUCTION

With fibers developed for military ballistic armoring and resins developed for carbon baseball bats, BallisTec carbon is seriously tough stuff. Lighter and stiffer than aluminum, stronger and more durable than steel, BallisTec carbon can shake off rock strikes and impacts that would cripple the competition and their carbon “shields”. Launch with confidence.



2 SMARTFORMED ALLOY CONSTRUCTION

Cannondale’s three decades of aluminum expertise are evident in the alloy OverMountain bikes. Sophisticated SmartForming techniques deliver incredibly precise wall thickness distribution and tube shapes, concentrating material exactly where needed to maximize strength and stiffness, while removing every last extraneous gram from the structure. Unlike the putty-and-paint “smooth” welds of the competition, Cannondale’s legendary double-pass smooth welds eliminate stress risers, creating the strongest possible joints. Combine both with a heat-treat process that creates a true unibody structure, and you’ve got simply the finest aluminum frames money can buy.



3 ECS-TC (ENHANCED CENTER STIFFNESS-TORSION CONTROL) SYSTEM

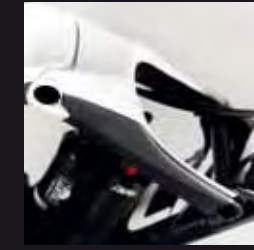
A frame is only as stiff as its weakest parts. On dual suspension bikes, the weakest parts are often the crucial bearings and links that join the swingarm to the front triangle. The vague, imprecise sensation felt on so many bikes is caused by the subtle flex and movement that occurs in the connecting hardware as the loads on the bike shift from side-to-side. To deliver bikes that respond instantly to rider input and deliver unprecedented sensitivity and feedback, we designed a five-part system to eliminate flex and soft play in the bearings and links.

Ultra Wide Bearing Placement

Just like you are more stable standing with your feet apart than together, the further apart you can place cartridge bearings, the better they support each other and the stiffer the system can be. The ECS-TC system has the widest link-bearing spacing of any bike in the industry.

Double-Stacked Rear Dropout Pivot Bearings

At the rear dropout pivots, we double-stack the bearings, placing two side-by-side in each



4 DYAD RT2 DUAL SHOCK

pivot. This greatly increases seat stays’ ability to resist twisting loads, making for an incredibly solid feeling swingarm.

X-12 Rear Thru-Axle

Thru-Axles are stiffer. We’ve integrated the Syntace X-12 thru-axle and dropout system to provide the stiffness of a 12 mm thru-axle with the quick wheel changes and ease of use of a quick release wheel.

Double-Clamped 15mm Thru-Axles

With the ECS-TC system, 15 mm thru-axles are used for the swingarm pivot and both shock link pivots. By placing the bearings in the frame, then clamping the ends of the link to both sides of the axle, the axle becomes a structural part of the link/swingarm, tying the two sides together and radically increasing its ability to resist twisting loads.

Collet Shim Bearing Preload

An innovative bearing pre-load system eliminates any freeplay between the bearings and the links.



The heart of OverMountain is a radical new dual rear shock, the FOX DYAD RT2. For the first time ever, two completely different shocks are housed in one package: **Elevate** - a shorter travel, small volume air shock for rolling and climbing terrain, and **Flow** - a longer travel, high volume, linear air shock for aggressive descents, each with its own dedicated damping circuit, fully optimized for its intended terrain and activated by a handlebar mounted lever. Rather than trying to make one shock do everything, we were free to create separate suspension responses for different needs – active and super efficient for the flats and climbs, ultra plush and bottomless for the descents. Switching between **Elevate** and **Flow** also changes the bike’s sag height and geometry, keeping the rider in the proper position for the terrain; steep and forward for powering up, low and stable for shredding down.

It is fundamentally like having two different bikes available to you at the flick of a switch. Elevate your soul and let it flow.

CLAYMORE

THE ULTIMATE OVERMOUNTAIN MEGABIKE.

CLAYMORE. NAMED AFTER THE CLAUDHEAMH MÒR, THE LEGENDARY TWO-HANDED SCOTTISH BROAD-SWORD. FOR WARRIORS. PREPARE FOR BATTLE.

BURLY BUT LIGHT

Almost 30 years of aluminum expertise and our SmartFormed aluminum allows us to design and craft a frame that is up to the rigors of OverMountain riding while also remaining remarkably light weight.

CLAYMORE SUSPENSION SYSTEM

The radical DYAD RT2 dual shock and the Claymore's linear-to-progressive link leverage ratio are optimized for each other, providing incredible small bump response, traction and efficiency in the Elevate mode, and a fluid, bottomless feel in Flow mode.

ATTITUDE ADJUST

The two-position shock mount allows the base geometry to be adjusted to suit the terrain and riding style. Then switching between the DYAD shock's two settings alters the Claymore's geometry on the fly: low and stable for flowing descents, steep and forward for efficient climbing.



CLAYMORE 1

Magnesium White (gloss) (WHT)

| | | | | | |
|------------------|--|------------------|---|----------|------------------------|
| FRAME | Claymore, 180/110mm, BB30, adjustable geometry | TIRES | Schwalbe Fat Albert TrailStar / PaceStar 2.4" | SHIFTERS | SRAM X-9 |
| SUSPENSION (R/F) | Fox Dyad RT2 / 36 Talas RC2 FIT 1.5" | CRANK | FSA Afterburner 386 BB30 | BRAKES | Avid Elixir X-0 Carbon |
| WHEELS | Mavic CrossMax SX | DERAILLEUR (R/F) | SRAM X-0 / Shimano SLX | SIZES | S, M, L, XL |



CLAYMORE 2

Jet Black (matte) (BBQ)

| | | | | | |
|------------------|--|------------------|---|----------|----------------|
| FRAME | Claymore, 180/110mm, BB30, adjustable geometry | TIRES | Schwalbe Fat Albert TrailStar / PaceStar 2.4" | SHIFTERS | Shimano SLX |
| SUSPENSION (R/F) | Fox Dyad RT2 / 36 Talas R 1.5" | CRANK | FSA Afterburner 386 BB30 | BRAKES | Avid Elixir CR |
| WHEELS | SunRingle Charger Pro | DERAILLEUR (R/F) | Shimano XT / SLX | SIZES | S, M, L, XL |



CLAYMORE 3

Jet Black (matte) (BBQ)

| | | | | | |
|------------------|--|------------------|--------------------------------------|----------|---------------|
| FRAME | Claymore, 180/110mm, BB30, adjustable geometry | TIRES | Schwalbe Fat Albert Performance 2.4" | SHIFTERS | SRAM X-7 |
| SUSPENSION (R/F) | Fox Dyad RT2 / 36 Float R 1.5" | CRANK | FSA Comet 386 BB30 | BRAKES | Avid Elixir R |
| WHEELS | Mach 1 2.30 Disc w/ Formula | DERAILLEUR (R/F) | SRAM X-9 / Shimano SLX | SIZES | S, M, L, XL |

JEKYLL

**THE GO ANYWHERE, RIDE ANYTHING,
TWO-BIKES-IN-ONE SUPERBIKE.**

**INDULGE BOTH SIDES OF YOUR PERSONALITY –
NO POTIONS NEEDED. WITH THE REVOLUTIONARY
DYAD SHOCK, JEKYLL IS BACK WITH A VENGEANCE
AND REWRITING THE RULES ONCE AGAIN.**



1 JEKYLL SUSPENSION SYSTEM

The radical DYAD RT2 dual shock and the Jekyll's linear-to-progressive link leverage ratio are optimized for each other, providing incredible small bump response, traction and efficiency in the Elevate mode, and a fluid, bottomless feel in Flow mode.

2 GET CONNECTED

Your frame is only as stiff as its weakest parts. Jekyll's 5-part ECS-TC (Enhanced Center-Stiffness, Torsion Control) system eliminates unwanted flex and play in the links and pivots, unifying the frame and delivering unmatched responsiveness and control.

3 LIGHT AND TOUGH

In either BallisTec carbon or sophisticated SmartFormed alloy, the incredibly light, unbelievably tough Jekyll frames let you climb with the whippets, but descend with the pitbulls.

JEKYLL ULTIMATE

| | | | | | |
|------------------|---|------------------|----------------------------------|----------|------------------------|
| FRAME | Jekyll, 150/90mm, BallisTec Hi-MOD Carbon, BB30 | TIRES | Schwalbe Nobby Nic PaceStar 2.4" | SHIFTERS | SRAM XX MatchMaker |
| SUSPENSION (R/F) | Fox Dyad RT2 / 32 Talas TerraLogic FIT 1.5" | CRANK | Cannondale Si Hollowgram SL BB30 | BRAKES | Avid Elixir X-0 Carbon |
| WHEELS | CrankBrothers Cobalt | DERAILLEUR (R/F) | SRAM XX / X-0 | SIZES | S, M, L, XL |

Jet Black (matte) (BBQ)



JEKYLL HI-MOD 1

Berserker Green (gloss) (GRN)

Charcoal Grey (matte) (GRY)

| | | | | | |
|-------------------------|---|-------------------------|----------------------------------|-----------------|-----------------------|
| FRAME | Jekyll, 150/90mm, BallisTec Hi-MOD Carbon, BB30 | TIRES | Schwalbe Nobby Nic PaceStar 2.4" | SHIFTERS | Shimano XT |
| SUSPENSION (R/F) | Fox Dyad RT2 / 32 Talas RLC FIT 1.5" | CRANK | FSA SL-K 386 BB30 | BRAKES | Avid Elixir CR Carbon |
| WHEELS | SunRingle BlackFlag Pro | DERAILLEUR (R/F) | Shimano XTR / XT | SIZES | S, M, L, XL |



JEKYLL HI-MOD 2

Charcoal Grey (matte) (GRY)

Berserker Green (gloss) (GRN)

| | | | | | |
|-------------------------|---|-------------------------|----------------------------------|-----------------|----------------|
| FRAME | Jekyll, 150/90mm, BallisTec Hi-MOD Carbon, BB30 | TIRES | Schwalbe Nobby Nic PaceStar 2.4" | SHIFTERS | SRAM X-9 |
| SUSPENSION (R/F) | Fox Dyad RT2 / 32 Talas RL FIT 1.5" | CRANK | FSA Afterburner BB30 | BRAKES | Avid Elixir CR |
| WHEELS | SunRingle BlackFlag Expert Plus | DERAILLEUR (R/F) | SRAM X-9 carbon / X-7 | SIZES | S, M, L, XL |



JEKYLL 3

Magnesium White (gloss) (WHT)

Ultra Blue (gloss) (BLU)

| | | | | | |
|-------------------------|---|-------------------------|----------------------------------|-----------------|----------------|
| FRAME | Jekyll, 150/90mm, SmartFormed Alloy, BB30 | TIRES | Schwalbe Nobby Nic PaceStar 2.4" | SHIFTERS | Shimano SLX |
| SUSPENSION (R/F) | Fox Dyad RT2 / 32 Talas RL 1.5" | CRANK | FSA Afterburner BB30 | BRAKES | Avid Elixir CR |
| WHEELS | DT Swiss M480 | DERAILLEUR (R/F) | Shimano XT / XT | SIZES | S, M, L, XL |



JEKYLL 4

Ultra Blue (gloss) (BLU)

Magnesium White (gloss) (WHT)

| | | | | | |
|-------------------------|---|-------------------------|-------------------------------|-----------------|---------------|
| FRAME | Jekyll, 150/90mm, SmartFormed Alloy, BB30 | TIRES | Schwalbe Black Shark 2.25" | SHIFTERS | SRAM X-7 |
| SUSPENSION (R/F) | Fox Dyad RT2 / 32 Float RL 1.5" | CRANK | Truvativ FireX 3.3 | BRAKES | Avid Elixir 3 |
| WHEELS | Mach 1 2.30 Disc | DERAILLEUR (R/F) | SRAM X-7 carbon / Shimano SLX | SIZES | S, M, L, XL |



HEADSHOK/LEFTY

WHY LEFTY?

Lighter. Stronger. Stiffer. Smoother.

No matter what other fork you are riding, Lefty is better. The radical Lefty front suspension system has had people scratching their heads for over ten years now. It's time to set the record straight.

Lefty is LIGHTER.

The Lefty Speed Carbon weighs an unbelievable 1197 grams. At just 1410 grams, the heaviest model in the Lefty lineup is lighter than most competitors' lightest race offerings.

Lefty is STRONGER.

Cross country weight meets dirt jumper tough. Lefty's unconventional inverted design, with its oversized steerer, massive outer tube and beefy dual crowns, allows even the lightest Lefty to go head to head in destructive testing with forks designed for much more abusive riding.

Lefty is STIFFER.

Lefty's stout structure combined with its "square in a square" stanchion design allow it to post deflection numbers comparable to the burliest thru-axle forks, while weighing less than the lightest XC forks.

Lefty is SMOOTHER.

The heart of the Lefty design, Cannondale's patented HeadShok 88 needle bearing technology keeps the suspension rolling fluidly, regardless of load. Hard braking, impacts, and steering forces have no effect on the shock's ability to move, keeping the wheel tracking the ground and the rider in total control.



XLR

XLOC REMOTE HYDRAULIC LOCKOUT AND REBOUND ADJUST.

PBR

PUSHBUTTON LOCKOUT AND REBOUND ADJUST. GLOVE FRIENDLY.

CONVENTION IS FOR THE WEAK.

QUANTUM LEAPS IN ENGINEERING AND PERFORMANCE ONLY COME WHEN YOU CAST OFF CONVENTION AND COMMONPLACE DESIGN. FREE YOURSELF FROM THE HERD.



1 DON'T SLIDE, ROLL

Rather than sliding on traditional bushings, Lefty rolls on precision-ground needle bearings and hardened steel races, eliminating friction and allowing Lefty's suspension to stay plush and active in all situations. Regular bushings can bind and limit fork movement precisely when you need it most.

2 OPI (ONE PIECE INTEGRATION)

Our complex 3D forging process, used for parts like the inner leg, the OPI outer leg/clamp, and the OPI Stem/Steerer, integrates multiple parts into single forged pieces, drastically reducing weight and increasing strength.

3 SUPERIOR DESIGN

Lefty's inverted dual crown design is stiffer, stronger and lighter than the traditional single crown designs. System Integrate with the Si Stem/Steerer for the lightest, most precise front suspension system available anywhere.

HEADSHOK / LEFTY



LEFTY MAX

140 MM OF TRAVEL
ALL-MOUNTAIN RIDING

| | |
|-----------|--|
| MODEL | LEFTY MAX CARBON XLR |
| STRUCTURE | Filament-wound Carbon Fiber outer leg, OPI inner leg |
| DAMPER | XLR remote lockout, rebound adj, blowoff threshold |
| SPRING | SOLO AIR w/self adjusting neg spring |
| WEIGHT | 1356 grams |



LEFTY ULTRA

120 MM OF TRAVEL
TRAIL RIDING / MARATHON RACING

| | |
|-----------|---|
| MODEL | LEFTY ULTRA CARBON PBR |
| STRUCTURE | Filament-wound Carbon Fiber outer leg, OPI inner leg |
| DAMPER | PBR push button lockout, rebound adj, blowoff threshold |
| SPRING | SOLO AIR w/self adjusting neg spring |
| WEIGHT | 1259 grams |



| | |
|-----------|---|
| MODEL | LEFTY ULTRA PBR |
| STRUCTURE | OPI Alloy outer leg, OPI inner leg |
| DAMPER | PBR push button lockout, rebound adj, blowoff threshold |
| SPRING | SOLO AIR w/self adjusting neg spring |
| WEIGHT | 1392 grams |



LEFTY 29'ER

80 MM OF TRAVEL
XC RACING / TRAIL RIDING

| | |
|-----------|--|
| MODEL | LEFTY 29'ER CARBON XLR |
| STRUCTURE | Filament-wound Carbon Fiber outer leg, OPI inner leg |
| DAMPER | XLR remote lockout, rebound adj, blowoff threshold |
| SPRING | SOLO AIR w/self adjusting neg spring |
| WEIGHT | 1333 grams |



| | |
|-----------|---|
| MODEL | LEFTY 29'ER CARBON PBR |
| STRUCTURE | Filament-wound Carbon Fiber outer leg, OPI inner leg |
| DAMPER | PBR push button lockout, rebound adj, blowoff threshold |
| SPRING | SOLO AIR w/self adjusting neg spring |
| WEIGHT | 1379 grams |



| | |
|-----------|---|
| MODEL | LEFTY 29'ER PBR |
| STRUCTURE | OPI Alloy outer leg, OPI inner leg |
| DAMPER | PBR push button lockout, rebound adj, blowoff threshold |
| SPRING | SOLO AIR w/self adjusting neg spring |
| WEIGHT | 1410 grams |



LEFTY SPEED

100 MM OF TRAVEL
XC RACING

| | |
|-----------|--|
| MODEL | LEFTY SPEED CARBON XLR |
| STRUCTURE | Filament-wound Carbon Fiber outer leg, OPI inner leg |
| DAMPER | XLR remote lockout, rebound adj, blowoff threshold |
| SPRING | SOLO AIR w/self adjusting neg spring |
| WEIGHT | 1251 grams |



| | |
|-----------|---|
| MODEL | LEFTY SPEED CARBON PBR |
| STRUCTURE | Filament-wound Carbon Fiber outer leg, OPI inner leg |
| DAMPER | PBR push button lockout, rebound adj, blowoff threshold |
| SPRING | SOLO AIR w/self adjusting neg spring |
| WEIGHT | 1197 grams |



| | |
|-----------|--|
| MODEL | LEFTY SPEED XLR |
| STRUCTURE | OPI Alloy outer leg, OPI inner leg |
| DAMPER | XLR remote lockout, rebound adj, blowoff threshold |
| SPRING | SOLO AIR w/self adjusting neg spring |
| WEIGHT | 1397 grams |



| | |
|-----------|---|
| MODEL | LEFTY SPEED PBR |
| STRUCTURE | OPI Alloy outer leg, OPI inner leg |
| DAMPER | PBR push button lockout, rebound adj, blowoff threshold |
| SPRING | SOLO AIR w/self adjusting neg spring |
| WEIGHT | 1333 grams |



FATTY

80 MM OF TRAVEL
XC RACING / TRAIL RIDING

| | |
|-----------|---|
| MODEL | FATTY DLR80 |
| TRAVEL | 80 mm |
| STRUCTURE | Air Formed OPI Fatty Blades |
| DAMPER | DLR - oil damped, lockout lever, rebound adjust |
| SPRING | Cartridge Air Spring, coil negative |
| WEIGHT | 1270 grams |



| | |
|-----------|--------------------------------|
| MODEL | FATTY DL50 |
| TRAVEL | 50 mm |
| STRUCTURE | Air Formed OPI Fatty Blades |
| DAMPER | DL - oil damped, lockout lever |
| SPRING | Coil Spring/elastomer |
| WEIGHT | 1351 grams |

RZ ONE TWENTY

DISTILLED TO PERFECTION.

SIMPLICITY HAS ITS MERITS. THE RZ ONE TWENTY'S REFINED MODIFIED SINGLE PIVOT SUSPENSION DESIGN DELIVERS A RIDE THAT IS SUPREMELY BALANCED, EFFICIENT AND PRECISE.

STAGED TRAVEL

Refined single pivot delivers optimal travel performance that starts out ultra plush, is linear and efficient through the middle and gets progressively firmer at the end for a bottomless feel.

ALUMINUM CRAFTING

From the OPI (One Piece Integration) Backbone to the SmartFormed aluminum and trademark double pass welds, RZ One Twenty is the pinnacle of aluminum crafting.

SUPERB HANDLING

The RZ's geometry splits the difference between our more aggressive Jekyll and racy Scalpel. Quick enough for technical trail riding, stable enough to keep you out of trouble while dropping your favorite sketchy section.



RZ ONE TWENTY 0

| | | | | | |
|------------------|---|------------------|------------------------------------|----------|----------------|
| FRAME | RZ One Twenty, 120mm, SmartFormed Alloy, BB30 | TIRES | Schwalbe Rocket Ron PaceStar 2.25" | SHIFTERS | Shimano XT |
| SUSPENSION (R/F) | RockShox Monarch RT3 / Lefty Ultra PBR | CRANK | FSA Afterburner BB30 | BRAKES | Avid Elixir CR |
| WHEELS | SunRingle BlackFlag Expert | DERAILLEUR (R/F) | Shimano XTR / XT | SIZES | S, M, L, XL |

Magnesium White (gloss) (WHT)



RZ ONE TWENTY 1

| | | | | | |
|------------------|---|------------------|---------------------------------------|----------|---------------|
| FRAME | RZ One Twenty, 120mm, SmartFormed Alloy, BB30 | TIRES | Schwalbe Rocket Ron Performance 2.25" | SHIFTERS | SRAM X-7 |
| SUSPENSION (R/F) | RockShox Monarch RT3 / Lefty Ultra PBR | CRANK | FSA Afterburner BB30 | BRAKES | Avid Elixir 5 |
| WHEELS | Mavic XM317 Disc | DERAILLEUR (R/F) | SRAM X-9 carbon / X-7 | SIZES | S, M, L, XL |

Magnesium White (gloss) (WHT)

Jet Black (matte) (BBQ)





RZ ONE TWENTY 2

FRAME RZ One Twenty, 120mm, SmartFormed Alloy, BB30
SUSPENSION (R/F) Fox RP2 / Fox 32 Float RL 1.5"
WHEELS Mavic XM317 Disc

Berserker Green (gloss) (GRN)

TIRES Schwalbe Black Shark 2.25"
CRANK Shimano M552
DERAILLEUR (R/F) Shimano SLX / SLX

SHIFTERS Shimano SLX
BRAKES Avid Elixir 3
SIZES S, M, L, XL



Magnesium White (gloss) (WHT)



RZ ONE TWENTY 3

FRAME RZ One Twenty, 120mm, SmartFormed Alloy, BB30
SUSPENSION (R/F) X Fusion 02 RL2 / RockShox Recon Silver TK 1.5"
WHEELS Mach1 Sub Zero

Jet Black (gloss) (BLK)

TIRES Schwalbe Black Shark 2.25"
CRANK Shimano M4308 Octalink
DERAILLEUR (R/F) SRAM X-7 / Shimano Alivio

SHIFTERS SRAM X-7
BRAKES Avid Elixir 3
SIZES S, M, L, XL



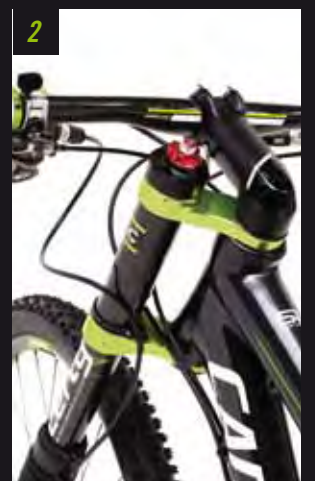
Magnesium White (gloss) (WHT)



SCALPEL

ZERO PIVOT – ZERO COMPETITION.

THE LIGHTEST, STIFFEST, MOST EFFICIENT DUAL SUSPENSION XC RACE BIKE ON THE PLANET. THE SCALPEL ISN'T JUST IN A CLASS BY ITSELF - IT'S ATTENDING AN ENTIRELY DIFFERENT SCHOOL.



1 ZERO PIVOT

No bearings, no bushings, nothing to add weight or cause play, just chain stays and seat stays engineered to flex along a given path, providing 80 mm of plush, progressive travel.

2 SYSTEM INTEGRATION

Scalpel achieves unheard of levels of light weight and efficiency through System Integration design. We craft components to work together, like the Lefty fork and Si Stem/Steerer, or the Si/SL Hollowgram crankset with our BB30 system.

3 BALLISTEC CARBON

Lighter and stiffer than aluminum, more dent resistant than steel, BallisTec carbon can shake off rock strikes and impacts that would destroy Scalpel's flimsy competition. The Scalpel frame weighs just 1580 grams complete with shock.

SCALPEL ULTIMATE

| | | | | | |
|------------------|---|------------------|-------------------------------------|----------|--------------------|
| FRAME | Scalpel, BallisTec Hi-MOD, Zero Pivot, BB30 | TIRES | Schwalbe Furious Fred PaceStar 2.0" | SHIFTERS | SRAM XX MatchMaker |
| SUSPENSION (R/F) | RockShox Monarch RT3 / Lefty Speed Carbon XLR | CRANK | Cannondale Si Hollowgram SL BB30 | BRAKES | SRAM XX |
| WHEELS | DT Swiss XCR 1.2 carbon | DERAILLEUR (R/F) | SRAM XX / XX | SIZES | S, M, L, XL |

Cannondale Factory Racing Team (gloss) (REP)



SCALPEL 1

FRAME Scalpel, BallisTec Hi-MOD, Zero Pivot, BB30
SUSPENSION (R/F) Fox RP23 BV / Lefty Speed Carbon PBR Lite
WHEELS Mavic CrossMax SLR Disc

TIRES Schwalbe Racing Ralph PaceStar 2.1"
CRANK FSA SL-K 386 BB30
DERAILLEUR (R/F) Shimano XTR / XTR

SHIFTERS Shimano XTR
BRAKES Magura Marta SL Carbon
SIZES S, M, L, XL

Magnesium White (gloss) (WHT)



Berserker Green (gloss) (GRN)



SCALPEL 2

FRAME Scalpel, BallisTec Hi-MOD, Zero Pivot, BB30
SUSPENSION (R/F) RockShox Monarch RT3 / Lefty Speed XLR
WHEELS DT Swiss XCR 1.5

TIRES Schwalbe Racing Ralph PaceStar 2.1"
CRANK FSA Afterburner 386 BB30
DERAILLEUR (R/F) SRAM X-0 / X-0

SHIFTERS SRAM X-0
BRAKES Avid Elixir CR Carbon
SIZES S, M, L, XL

Berserker Green (gloss) (GRN)



Magnesium White (gloss) (WHT)



SCALPEL 3

FRAME Scalpel, BallisTec Hi-MOD, Zero Pivot, BB30
SUSPENSION (R/F) RockShox Monarch RT3 / Lefty Speed PBR Lite
WHEELS DT Swiss XCR 1.7

TIRES Schwalbe Racing Ralph PaceStar 2.1"
CRANK FSA Afterburner 386 BB30
DERAILLEUR (R/F) Shimano XT / SLX

SHIFTERS Shimano SLX
BRAKES Avid Elixir R
SIZES S, M, L, XL

Magnesium White (gloss) (WHT)



Berserker Green (gloss) (GRN)

FLASH

950 GRAMS OF IMPOSSIBLE.

THE WORLD'S BEST HARDTAIL. LIGHTER THAN MOST ELITE CARBON ROADBIKES, TOUGHER THAN MOST ALUMINUM BIKES, STIFFER AND MORE COMPLIANT THAN TITANIUM. SCIENCE FICTION BECOMES ENGINEERING FACT.

SAVE MICRO SUSPENSION SYSTEM

Flattened **SAVE** cross-sections and sophisticated carbon layup on the Flash chain stays, seat stays and seatpost act like a micro-suspension system, deflecting vertically to absorb trail shock and vibration, while staying extremely rigid laterally for power transfer and confident cornering.

BALLISTEC CARBON TECHNOLOGY

BallisTec carbon and sophisticated layup techniques deliver unmatched toughness and the world's best stiffness to weight ratio.*

* Frame independently tested at Zedler Fahrradtechnik, February 27, 2009.

SYSTEM INTEGRATION

Ignoring the common "bolt-on" spec' mentality, our System Integration design approach (Lefty fork, OPI Stem/Steerer, and Hollowgram Si SL cranks) produces an overall weight that our competitors can only dream of.



FLASH ULTIMATE

| | | | | | |
|--------|--|------------------|-------------------------------------|----------|--------------------|
| FRAME | Flash, BallisTec Hi-MOD carbon, SAVE, BB30 | TIRES | Schwalbe Furious Fred PaceStar 2.0" | SHIFTERS | SRAM XX MatchMaker |
| FORK | Lefty Speed Carbon XLR | CRANK | Cannondale Si Hollowgram SL BB30 | BRAKES | SRAM XX |
| WHEELS | DT Swiss XCR 1.2 carbon | DERAILLEUR (R/F) | SRAM XX / XX | SIZES | S, M, L, XL |

Cannondale Factory Racing Team (gloss) (REP)



FLASH HI-MOD 1

| | | | | | |
|--------|--|------------------|-------------------------------------|----------|------------------------|
| FRAME | Flash, BallisTec Hi-MOD carbon, SAVE, BB30 | TIRES | Schwalbe Racing Ralph PaceStar 2.1" | SHIFTERS | Shimano XTR |
| FORK | Lefty Speed Carbon PBR | CRANK | FSA K-Force Light 386 BB30 | BRAKES | Magura Marta SL Carbon |
| WHEELS | Mavic CrossMax SLR Disc | DERAILLEUR (R/F) | Shimano XTR / XTR | SIZES | S, M, L, XL |

Magnesium White (gloss) (WHT)

Berserker Green (gloss) (GRN)



FLASH HI-MOD 2

| | | | | | |
|--------|--|------------------|-------------------------------------|----------|------------------------|
| FRAME | Flash, BallisTec Hi-MOD carbon, SAVE, BB30 | TIRES | Schwalbe Racing Ralph PaceStar 2.1" | SHIFTERS | SRAM X-0 |
| FORK | Lefty Speed XLR | CRANK | FSA SL-K 386 BB30 | BRAKES | Avid Elixir X-0 Carbon |
| WHEELS | DT Swiss XCR 1.5 | DERAILLEUR (R/F) | SRAM X-0 / X-0 | SIZES | S, M, L, XL |

Berserker Green (gloss) (GRN)

Magnesium White (gloss) (WHT)





FLASH CARBON 3

FRAME Flash, BallisTec Carbon, SAVE, BB30
FORK Lefty Speed PBR
WHEELS SunRinglé BlackFlag Expert

TIRES Schwalbe Racing Ralph PaceStar 2.1"
CRANK FSA Afterburner 386 BB30
DERAILLEUR (R/F) Shimano XT / XT

SHIFTERS Shimano XT
BRAKES Avid Elixir R Carbon
SIZES S, M, L, XL

Berserker Green (gloss) (GRN)



Race Red (gloss) (RED)



FLASH CARBON 4

FRAME Flash, BallisTec Carbon, SAVE, BB30
FORK Fatty OPI DLR80
WHEELS DT Swiss XCR 1.7

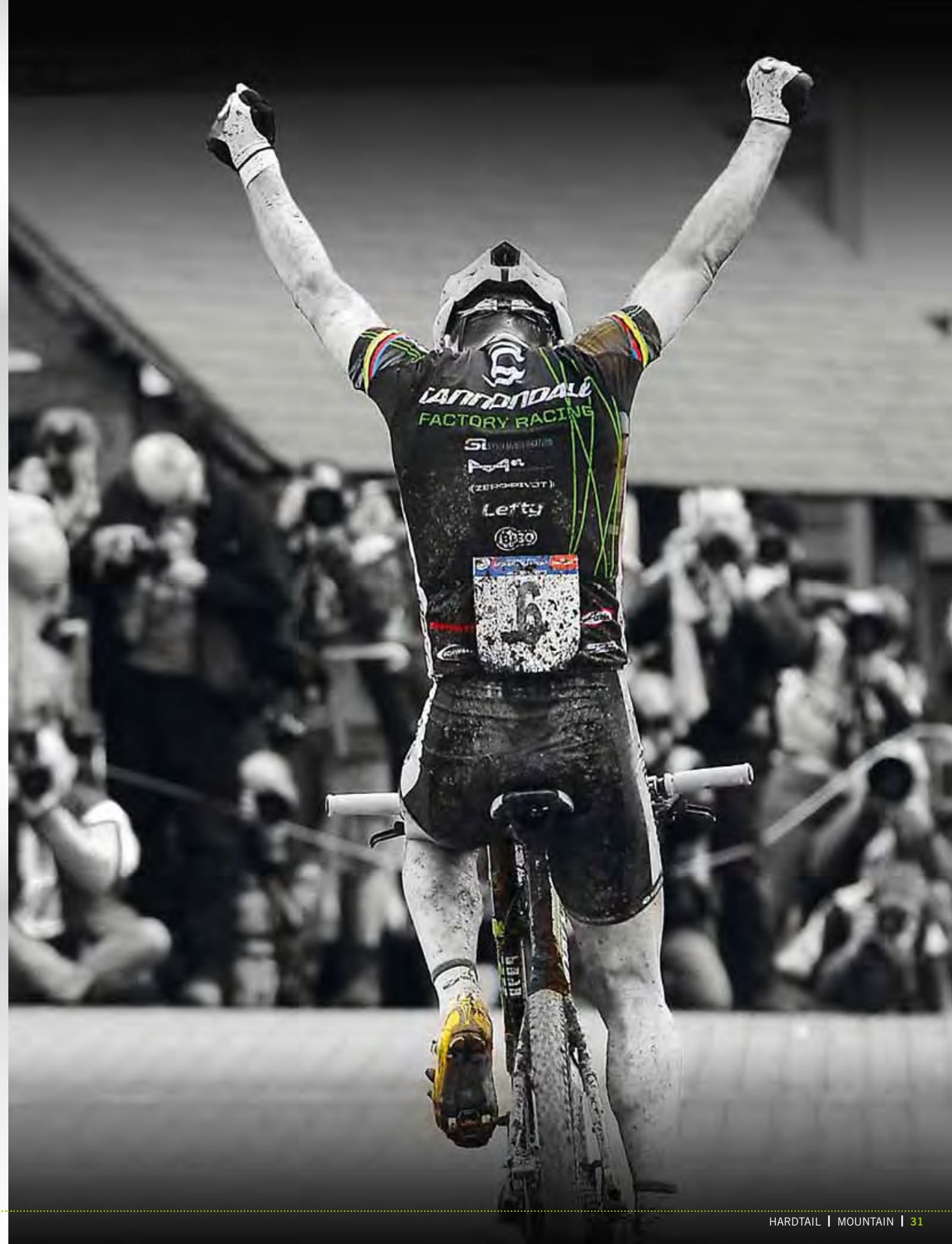
TIRES Schwalbe Racing Ralph PaceStar 2.1"
CRANK FSA Afterburner 386 BB30
DERAILLEUR (R/F) SRAM X-9 carbon / X-7

SHIFTERS SRAM X-7
BRAKES Avid Elixir 3
SIZES S, M, L, XL

Race Red (gloss) (RED)



Berserker Green (gloss) (GRN)





FLASH CARBON 4 Z

Berserker Green (gloss) (GRN)

Race Red (gloss) (RED)

| | | | | | |
|---------------|-------------------------------------|-------------------------|-------------------------------------|-----------------|---------------|
| FRAME | Flash, BallisTec Carbon, SAVE, BB30 | TIRES | Schwalbe Racing Ralph PaceStar 2.1" | SHIFTERS | SRAM X-7 |
| FORK | Magura Durin Race 1.5" | CRANK | FSA Afterburner 386 BB30 | BRAKES | Avid Elixir 3 |
| WHEELS | DT Swiss XCR 1.7 | DERAILLEUR (R/F) | SRAM X-9 carbon / X-7 | SIZES | S, M, L, XL |



F2

Race Red (gloss) (RED)

Berserker Green (gloss) (GRN)

| | | | | | |
|---------------|--------------------------------------|-------------------------|-------------------------------------|-----------------|----------------|
| FRAME | Flash, SmartFormed Alloy, SAVE, BB30 | TIRES | Schwalbe Racing Ralph PaceStar 2.1" | SHIFTERS | Shimano SLX |
| FORK | HeadShok Fatty OPI DLR80 | CRANK | FSA Afterburner 386 BB30 | BRAKES | Avid Elixir 5 |
| WHEELS | Mavic XM317 Disc | DERAILLEUR (R/F) | Shimano XT / SLX | SIZES | S, M, L, XL, J |



F1

Magnesium White (gloss) (WHT)

| | | | | | |
|---------------|--------------------------------------|-------------------------|-------------------------------------|-----------------|----------------|
| FRAME | Flash, SmartFormed Alloy, SAVE, BB30 | TIRES | Schwalbe Racing Ralph PaceStar 2.1" | SHIFTERS | SRAM X-9 |
| FORK | Lefty Speed PBR | CRANK | FSA Afterburner 386 BB30 | BRAKES | Avid Elixir R |
| WHEELS | Mavic XM317 Disc | DERAILLEUR (R/F) | SRAM X-9 carbon / Shimano SLX | SIZES | S, M, L, XL, J |



F3

Magnesium White (gloss) (WHT)

Berserker Green (gloss) (GRN)

| | | | | | |
|---------------|--------------------------------------|-------------------------|--------------------------|-----------------|----------------|
| FRAME | Flash, SmartFormed Alloy, SAVE, BB32 | TIRES | Schwalbe Black Jack 2.1" | SHIFTERS | SRAM X-7 |
| FORK | HeadShok Fatty OPI DLR80 | CRANK | FSA Comet 386 BB30 | BRAKES | Shimano M445 |
| WHEELS | Mach1 Sub Zero | DERAILLEUR (R/F) | SRAM X-7 / Shimano SLX | SIZES | S, M, L, XL, J |

TRAIL SL

GET ON THE TRAIL.

YOUR JOURNEY BEGINS HERE. WELCOME TO THE WORLD OF TWO WHEELS AND FAT TIRES. YOUR TRAIL AWAITS. WHERE IT TAKES YOU IS ENTIRELY UP TO YOU.

RACE GEOMETRY

Trail SL is a racer through and through. It shares the geometry and many of the features of its Flash brethren.

ALUMINUM CRAFTING

Trail and Trail SL's mechanically formed aluminum and our trademark double pass smooth welds highlight Cannondale's aluminum expertise.

SAVE MICRO SUSPENSION SYSTEM

Optimized chain stay and seat stay shaping provides lateral rigidity while providing vertical compliance for bump absorption and comfort with no loss in power transfer



TRAIL SL 1

| | Jet Black (gloss) (BLK) | | Magnesium White (gloss) (WHT) |
|--------|----------------------------------|------------------|-------------------------------|
| FRAME | Trail SL, SAVE, 6061 Alloy | SHIFTERS | Shimano SLX |
| FORK | RockShox Recon Silver TK SA 1.5" | BRAKES | Hayes Stroker Ryde Comp |
| WHEELS | Maddux DC 3.0 | DERAILLEUR (R/F) | Shimano XT / Deore |
| | | SIZES | S, M, L, XL, J |



TRAIL SL 2

| | Jet Black (gloss) (BLK) | | Magnesium White (gloss) (WHT) |
|--------|----------------------------|------------------|-------------------------------|
| FRAME | Trail SL, SAVE, 6061 Alloy | SHIFTERS | Shimano SLX |
| FORK | RST Deuce Air 1.5" | BRAKES | Shimano M445 |
| WHEELS | Maddux DC 3.0 | DERAILLEUR (R/F) | Shimano SLX / Deore |
| | | SIZES | S, M, L, XL, J |



TRAIL SL 3

| | Jet Black (matte) (BBQ) | | Magnesium White (gloss) (WHT) |
|--------|----------------------------|------------------|-------------------------------|
| FRAME | Trail SL, SAVE, 6061 Alloy | SHIFTERS | Shimano Deore |
| FORK | RST Deuce Coil 1.5" | BRAKES | Shimano M445 |
| WHEELS | Maddux DC 3.0 | DERAILLEUR (R/F) | Shimano Deore Shadow / Alivio |
| | | SIZES | S, M, L, XL, J |



TRAIL SL 4

FRAME Trail SL, SAVE, 6061 Alloy
FORK RST Omega TnL
WHEELS Maddux DC 3.0

TIRES Schwalbe Black Jack 2.1"
CRANK FSA CK306
DERAILLEUR (R/F) Shimano Deore / Alivio

SHIFTERS Shimano Alivio
BRAKES Tektro Draco
SIZES S, M, L, XL, J

Race Red (gloss) (RED)



Magnesium White (gloss) (WHT)



TRAIL SL 5

FRAME Trail SL, SAVE, 6061 Alloy
FORK RST Gila Pro TnL
WHEELS Alexrims DC 4.5

TIRES Schwalbe Black Jack 2.1"
CRANK Suntour XCT V2
DERAILLEUR (R/F) Shimano Alivio / Altus M311

SHIFTERS Shimano Alivio
BRAKES Promax Orange mechanical
SIZES S, M, L, XL, J

Race Red (gloss) (RED)



Jet Black (gloss) (BLK)



TRAIL SL HS33

FRAME Trail SL, SAVE, 6061 Alloy
FORK Fatty OPI DLR80
WHEELS Mach1 Nitro

TIRES Schwalbe Black Jack 2.1"
CRANK FSA Comet MegaExo
DERAILLEUR (R/F) Shimano SLX / SLX

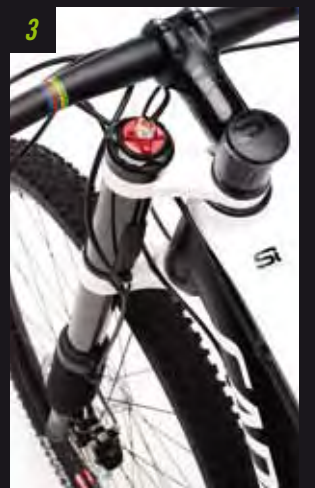
SHIFTERS Shimano SLX
BRAKES Magura HS33
SIZES S, M, L, XL, J

Jet Black (gloss) (BLK)

29'ER

GO BIGGER.

FROM THE SEA OTTER CLASSIC TO THE 4418 KILOMETER TOUR DIVIDE, THE FLASH'S BIG WHEELS JUST KEEP ON TURNIN'. ROLL ON.



1 BALLISTEC CARBON FIBER

Lighter and stiffer than aluminum, more dent-resistant than steel, the super tough BallisTec carbon can shake off rock strikes and impacts that would destroy Flash's light-weight competition.

2 SAVE MICRO SUSPENSION SYSTEM

Flattened SAVE cross-sections and sophisticated carbon layup on the Flash rear stays and seatpost act like a micro-suspension system, deflecting vertically to absorb trail shock, while staying extremely rigid laterally for power transfer and confident cornering.

3 LEFTY SYSTEM INTEGRATION

29'er fans have figured out that the Lefty's incredible stiffness, plushness and feathery light weight make it the perfect solution for 29'er front ends. When System Integrated with the ultra-light, ultra-stiff OPI Stem/Steerer it's an almost unfair advantage.

FLASH HI-MOD 29'ER 1

| | | | | | |
|---------------|---|-------------------------|--------------------------------------|-----------------|------------------------|
| FRAME | Flash 29'er, BallisTec Hi-MOD, SAVE, BB30 | TIRES | Schwalbe Racing Ralph PaceStar 2.25" | SHIFTERS | SRAM X-0 |
| FORK | Lefty Carbon 29'er XLR | CRANK | Cannondale Si Hollowgram SL BB30 | BRAKES | Avid Elixir X-0 Carbon |
| WHEELS | Stan's ZTR Arch | DERAILLEUR (R/F) | SRAM X-0 / X-9 | SIZES | M, L, XL |

Jet Black (matte) (BBQ)



FLASH HI-MOD 29'ER 3

Magnesium White (gloss) (WHT)

| | | | | | |
|--------|------------------------------------|------------------|--------------------------------------|----------|----------------|
| FRAME | Flash 29'er, BallisTec, SAVE, BB30 | TIRES | Schwalbe Racing Ralph PaceStar 2.25" | SHIFTERS | SRAM X-7 |
| FORK | Lefty 29'er PBR | CRANK | FSA Comet 386 BB30 | BRAKES | Avid Elixir CR |
| WHEELS | Sun EQ25 | DERAILLEUR (R/F) | SRAM X-9 carbon / X-7 | SIZES | M, L, XL |



TRAIL SL 29'ER 2

Jet Black (matte) (BBQ)

| | | | | | |
|--------|----------------------------------|------------------|------------------------------|----------|---------------|
| FRAME | Trail SL 29'er, SAVE, 6061 Alloy | TIRES | Kenda Small Block Eight 2.1" | SHIFTERS | Shimano Deore |
| FORK | RST Deuce Air 1.5" | CRANK | Shimano M4308 Octalink | BRAKES | Shimano M445 |
| WHEELS | Maddux DC 3.0 | DERAILLEUR (R/F) | Shimano Deore / Alivio | SIZES | M, L, XL |

GO PRO



ELITE ROAD

| | |
|----------|-------|
| SUPERSIX | 44-49 |
| CAAD10 | 50-53 |
| CAAD8 | 54-55 |

PERFORMANCE ROAD

| | |
|---------|-------|
| SYNAPSE | 56-61 |
|---------|-------|

TRIATHLON / TIME TRIAL

| | |
|-------|-------|
| SLICE | 62-65 |
|-------|-------|

CYCLOCROSS

| | |
|--------|-------|
| SUPERX | 66-68 |
| CAADX | 69-70 |

SUPERSIX

WHERE ENGINEERING BECOMES ART.

CHAMPION OF THE 2010 GIRO D'ITALIA. HERO OF THE TOUR OF CALIFORNIA. AT JUST 890 GRAMS, WITH UNMATCHED STIFFNESS-TO-WEIGHT AND AN ALIVE, COMMUNICATIVE RIDE-FEEL, SUPERSIX IS ENGINEERED TO WIN.



1 POWER TRANSFER BEATBOX

Massively oversized Beatbox BB area paired with the super stiff and light Hollowgram Si SL BB30 crank system delivers the torsional rigidity needed to turn the twisting loads from the crank into blistering speed.

2 DEEP RADIUS HEADTUBE

Deep radius head tube and 1-1/8" to 1-1/2" tapered carbon steerer fork provide maximum torsional stiffness for precise steering and wicked sprinting. Molded carbon headset cups replace aluminum for weight savings.

3 HOURGLASS REAR STAYS

Hourglass stays allow the vertical compliance necessary to maintain confident control over less-than-perfect surfaces, and the comfort required to deliver maximum performance after long days in the saddle.

SUPERSIX HI-MOD TEAM

| | | | | | |
|--------|--|-------------|---|--------|------------------------------------|
| FRAME | SuperSix Hi-Mod BB30 | CRANK | Cannondale Hollowgram SL BB30, 39/53 | BRAKES | Campagnolo Super Record D-Skeleton |
| FORK | SuperSix Hi-Mod full carbon, 1-1/8" - 1.5" | DERAILLEURS | Campagnolo Super Record, 11S | SADDLE | Fi'zi:k Antares Carbon rails |
| WHEELS | Mavic Cosmic Carbone SR | SHIFTERS | Campagnolo Super Record QS Carbon ErgoShifters11S | SIZES | 48, 50, 52, 54, 56, 58, 60, 63 cm |

Liquigas Team Replica (gloss) (LIQ)



PALMARES



2010 Maglia Rosa
Giro Champion



2010 Tour of California
Best Young Rider



2010 Tour of California
Sprinter



2009 KOM TDF
Champion

SUPERSIX HI-MOD DI2

Matte Carbon, White accents (CRB)

| | | | | | |
|---------------|---|--------------------|---|---------------|-----------------------------|
| FRAME | SuperSix Hi-MOD, BB30, internal Di2 routing | CRANK | Cannondale Hollowgram SL BB30, 39/53 FSA 7900 rings | BRAKES | Shimano Dura Ace 7900 |
| FORK | SuperSix, Hi-Mod full carbon, 1-1/8" - 1.5" | DERAILLEURS | Shimano Di2 | SADDLE | Fi'zi:k Antares, Kium rails |
| WHEELS | Mavic Ksyrium SR | SHIFTERS | Shimano Di2 | SIZES | 50, 52, 54, 56, 58, 60 cm |



SUPERSIX HI-MOD DURA-ACE

Magnesium White, Jet Black (gloss) (WHT)

| | | | | | |
|---------------|---|--------------------|---|---------------|-----------------------------------|
| FRAME | SuperSix Hi-MOD, BB30 | CRANK | Cannondale Hollowgram SL BB30, 39/53 FSA 7900 rings | BRAKES | Shimano Dura Ace 7900 |
| FORK | SuperSix, Hi-Mod full carbon, 1-1/8" - 1.5" | DERAILLEURS | Shimano Dura Ace 7900 | SADDLE | Fi'zi:k Antares, Kium rails |
| WHEELS | Mavic Ksyrium SL Black | SHIFTERS | Shimano Dura Ace 7900 | SIZES | 48, 50, 52, 54, 56, 58, 60, 63 cm |



SUPERSIX HI-MOD SRAM RED

Magnesium White, Jet Black (gloss) (WHT)

| | | | | | |
|---------------|---|--------------------|--|---------------|-----------------------------------|
| FRAME | SuperSix Hi-MOD, BB30 | CRANK | SRAM RED w/ Cannondale graphics, BB30, 34/50 | BRAKES | SRAM RED |
| FORK | SuperSix, Hi-Mod full carbon, 1-1/8" - 1.5" | DERAILLEURS | SRAM RED | SADDLE | Fi'zi:k Antares, Mg rails |
| WHEELS | Mavic Ksyrium Elite | SHIFTERS | SRAM RED | SIZES | 48, 50, 52, 54, 56, 58, 60, 63 cm |



Matte Carbon, White accents (CRB)



SUPERSIX DURA-ACE

Blue Tinted Clear Coat (gloss) (BLU)

| | | | | | |
|---------------|--|--------------------|-----------------------------------|---------------|-----------------------------------|
| FRAME | Super Six Carbon, BB30 | CRANK | FSA SL-K Light Carbon BB30, 34/50 | BRAKES | Shimano Dura Ace 7900 |
| FORK | SuperSix, full carbon, 1-1/8" - 1.5", alloy dropouts | DERAILLEURS | Shimano Dura Ace 7900 | SADDLE | Fi'zi:k Arione Mg rails |
| WHEELS | Mavic Ksyrium Elite | SHIFTERS | Shimano Dura Ace 7900 | SIZES | 48, 50, 52, 54, 56, 58, 60, 63 cm |



FSA Gossamer BB30, 30/39/52



SUPERSIX

Team Replica (gloss) (REP)

| | | | | | |
|---------------|--|------------------------|------------------------------|---------------|-----------------------------------|
| FRAME | Super Six Carbon, BB30 | CRANK (COMPACT) | FSA Gossamer Pro BB30, 34/50 | BRAKES | Shimano 105 |
| FORK | SuperSix, full carbon, 1-1/8" - 1.5", alloy dropouts | DERAILLEURS | Shimano 105 | SADDLE | Prologo Scratch Pro T2.0 |
| WHEELS | Mavic Aksium Race | SHIFTERS | Shimano 105 | SIZES | 48, 50, 52, 54, 56, 58, 60, 63 cm |



Exposed Carbon (matte) (CRB)



FSA SL-K Light Carbon BB30, 30/39/52

SUPERSIX ULTEGRA

Exposed Carbon (matte) (CRB)

| | | | | | |
|---------------|--|------------------------|-----------------------------------|---------------|-----------------------------------|
| FRAME | Super Six Carbon, BB30 | CRANK (COMPACT) | FSA SL-K Light Carbon BB30, 34/50 | BRAKES | Shimano Ultegra 6700 |
| FORK | SuperSix, full carbon, 1-1/8" - 1.5", alloy dropouts | DERAILLEURS | Shimano Ultegra 6700 | SADDLE | Fi'zi:k Arione Mg rails |
| WHEELS | Mavic Ksyrium Equipe | SHIFTERS | Shimano Ultegra 6700 | SIZES | 48, 50, 52, 54, 56, 58, 60, 63 cm |

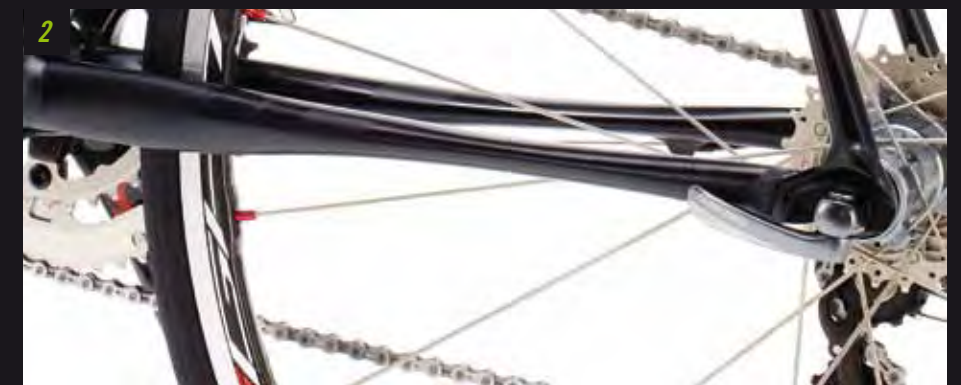
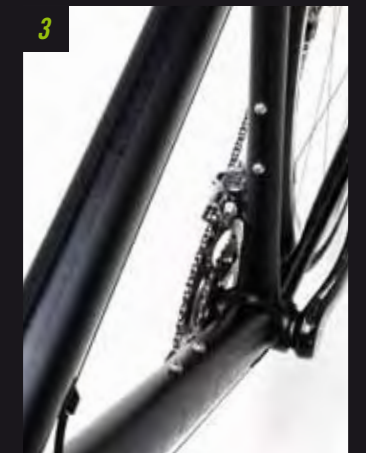
Race Red (gloss) (RED)



CAAD10

PERFORMANCE TO THE POWER OF X.

CAAD10, THE WORLD'S MOST ADVANCED ALUMINUM ROAD FRAME. JUST 1150 GRAMS FOR A 56 CM FRAME. LIGHTER, STIFFER AND SMOOTHER THAN MOST OF OUR COMPETITORS' ELITE CARBON FRAMES.



1 SUPERLIGHT CAAD10 FORK

Housed in our externally machined, tapered head tube, the 390 gram, 1-1/8" to 1-1/4" tapered carbon steerer fork features offset dropouts, allowing more fork angle for vertical compliance without affecting the razor sharp handling.

2 SAVE REAR STAYS

Comfort meets acceleration. Rear stays are shaped and butted to allow them to flex vertically but stay extremely stiff laterally. Wide seat stay spacing at top tube junction also improves lateral stiffness.

3 OPTIMIZED TOP TUBE

For maximum torsional rigidity, the massive, horizontally ovalized top tube measures a huge 47.5x42 mm where it meets the head tube, narrows through the middle for knee clearance, then widens again to meet the seat stays.

CAAD10 DURA ACE

| | Black Anodized (matt) (BLA) | | Race Red (gloss) (RED) |
|--------|--|-------------|-----------------------------------|
| FRAME | CAAD10, Smartformed 6069 Alloy, SAVE, BB30 | CRANK | FSA SL-K Light Carbon BB30, 34/50 |
| FORK | CAAD10, Full Carbon, 1-1/8" to 1-1/4" | DERAILLEURS | Shimano Dura Ace |
| WHEELS | Shimano RS80 | SHIFTERS | Shimano Dura Ace |
| | | BRAKES | Shimano Ultegra 6700 |
| | | SADDLE | Fizik Arione Mg rails |
| | | SIZES | 48, 50, 52, 54, 56, 58, 60, 63 cm |



CAAD10 ULTEGRA

Manganese White (gloss) (WHT)

| | |
|---------------|--|
| FRAME | CAAD10, Smartformed 6069 Alloy, SAVE, BB30 |
| FORK | CAAD10, Full Carbon, 1-1/8" to 1-1/4" |
| WHEELS | Mavic Aksium Race |

| | |
|--------------------|-----------------------------------|
| CRANK | FSA SL-K Light Carbon BB30, 34/50 |
| DERAILLEURS | Shimano Ultegra 6700 |
| SHIFTERS | Shimano Ultegra 6700 |

| | |
|---------------|-----------------------------------|
| BRAKES | Shimano Ultegra 6700 |
| SADDLE | Prologo Scratch Pro T2.0 |
| SIZES | 48, 50, 52, 54, 56, 58, 60, 63 cm |



Berzerker Green (gloss) (GRN)



FSA Gossamer
BB30, 30/39/52

CAAD10 105

Race Red (gloss) (RED)

| | |
|---------------|--|
| FRAME | CAAD10, Smartformed 6069 Alloy, SAVE, BB30 |
| FORK | CAAD10, Full Carbon, 1-1/8" to 1-1/4" |
| WHEELS | Shimano RS10 |

| | |
|------------------------|------------------------------|
| CRANK (COMPACT) | FSA Gossamer Pro BB30, 34/50 |
| DERAILLEURS | Shimano 105 |
| SHIFTERS | Shimano 105 |

| | |
|---------------|-----------------------------------|
| BRAKES | Shimano 105 |
| SADDLE | Prologo Kappa |
| SIZES | 48, 50, 52, 54, 56, 58, 60, 63 cm |



Jet Black (gloss) (BLK)



CAAD 8

RACE-WINNING PEDIGREE.

THE LIGHTEST FRAME IN ITS CLASS, CAAD8 IS PACKED WITH FEATURES DRAWN DIRECTLY FROM ITS GIRO D'ITALIA-WINNING ANCESTORS. ANDIAMO!

CANNONDALE ALUMINUM EXPERTISE

With taper-butted, shaped tubes joined by our trademark double pass smooth welds, the CAAD8 continues our tradition of aluminum mastery.

HEADS-UP RACE GEOMETRY

The CAAD8 shares the proven race geometry of its more expensive brethren but with a slightly taller head tube for a more relaxed riding position.

HOURLASS SEAT STAYS

The hourglass shape of the seat stays offers significant vertical compliance for comfort and control over rough surfaces, while remaining laterally rigid for solid power transfer and confident handling.



CAAD8 105

Magnesium White w/ Race Red (gloss) (WHT)

| | | | | | |
|--------|---|-------------|--------------------------|--------|-------------------------------|
| FRAME | CAAD8, Optimized 6061 Alloy, BB30 | CRANK | FSA Gossamer BB30, 34/50 | BRAKES | Tektro R580 |
| FORK | Cannondale Ultra, Carbon Blades, 1-1/8" | DERAILLEURS | Shimano 105 | SADDLE | Cannondale Stage w/Crmo Rails |
| WHEELS | Alex RC24 | SHIFTERS | Shimano 105 | SIZES | 48, 51, 54, 56, 58, 61 cm |



CAAD8 TIAGRA

Jet Black (matt) (BBQ)

| | | | | | |
|--------|---|-------------|-----------------------------|--------|--|
| FRAME | CAAD8, Optimized 6061 Alloy | CRANK | FSA Omega MegaExo, 30/39/50 | BRAKES | Cannondale C4 w/cartridge pads and cold forged retainers |
| FORK | Cannondale Ultra, Carbon Blades, 1-1/8" | DERAILLEURS | Shimano Tiagra Long Cage | SADDLE | Cannondale Stage w/ Steel Rails |
| WHEELS | Maddux DRX 4000 | SHIFTERS | Shimano Tiagra Triple | SIZES | 48, 51, 54, 56, 58, 61 cm |



CAAD8 SORA

Race Red w/ white(gloss) (RED)

| | | | | | |
|--------|---|-------------|------------------------|--------|--|
| FRAME | CAAD8, Optimized 6061 Alloy | CRANK | FSA Vero, 30/39/50 | BRAKES | Cannondale C4 w/cartridge pads and cold forged retainers |
| FORK | Cannondale Ultra, Carbon Blades, 1-1/8" | DERAILLEURS | Shimano Sora Long Cage | SADDLE | Cannondale Stage w/ Steel Rails |
| WHEELS | Maddux DRX 4000 | SHIFTERS | Shimano Sora | SIZES | 48, 51, 54, 56, 58, 61 cm |

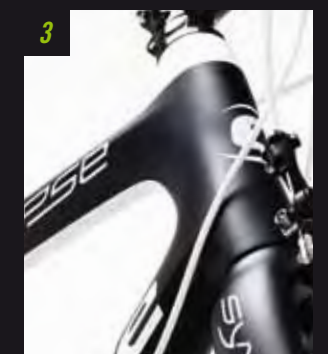
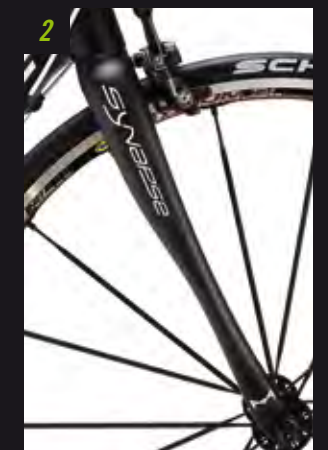
Bicycling
2010
EDITORS
CHOICE
FINALIST

Finalist in *Bicycling* magazine's highly competitive 2010 Editors' Choice Awards in the Entry-Level Road category.

SYNAPSE

GO LONG.

BUILT FOR THE LONG HAUL AND PERFECTED ON THE BRUTAL COBBLES OF THE NORTHERN CLASSICS, SYNAPSE WON BICYCLING MAGAZINE'S 2010 "BEST PLUSH BIKE" AWARD AND TOP VELO – CYCLOSPORTIF BIKE OF THE YEAR.



1 SAVE MICRO SUSPENSION SYSTEM

Careful shaping and carbon layup creates a rear stay assembly that is able to deflect vertically, absorbing tremendous amounts of road shock and vibration while staying extremely rigid laterally for power transfer and confident cornering.

2 SAVE FORK BLADES

Full carbon fork from steerer to dropouts with integrated SAVE features creates a micro-suspension system that is elegantly simple and doesn't require the additional weight of bumpers or inserts.

3 PERFORMANCE GEOMETRY

A taller head tube (2-2.5cm more than SuperSix), a longer wheelbase and relaxed angles produce a more upright riding position and a confidence-inspiring ride which avoids the sluggish feel of many "comfort" road bikes.

SYNAPSE HI-MOD DURA ACE

| | | | | | |
|---------------|---|--------------------|---|---------------|-------------------------------------|
| FRAME | Synapse, Hi-MOD, SAVE, BB30 | CRANK | Cannondale Hollowgram SL BB30, 34/50, black | BRAKES | Shimano Dura Ace 7900 |
| FORK | Synapse, Hi-MOD full carbon, SAVE, 1-1/8" | DERAILLEURS | Shimano Dura Ace 7900 | SADDLE | Fi'zi:k Aliante Gamma w/ Kium rails |
| WHEELS | Mavic Ksyrium SL, black | SHIFTERS | Shimano Dura Ace 7900 | SIZES | 48, 51, 54, 56, 58, 61 cm |

Exposed Carbon (matte) (CRB)



FSA SL-K Light Carbon BB30, 30/39/52

SYNAPSE HI-MOD ULTEGRA

| | | | | | |
|---------------|---|------------------------------|-----------------------------------|-------------------------------|--------------------------------|
| | | Exposed Carbon (matte) (CRB) | | Magnesium White (gloss) (WHT) | |
| FRAME | Synapse, Hi-MOD, SAVE, BB30 | CRANK (COMPACT) | FSA SL-K Light Carbon BB30, 34/50 | BRAKES | Shimano Ultegra 6700 |
| FORK | Synapse, Hi-MOD full carbon, SAVE, 1-1/8" | DERAILLEURS | Shimano Ultegra 6700 | SADDLE | Fi'zi:k Aliante Delta Mg rails |
| WHEELS | Mavic Ksyrium Elite | SHIFTERS | Shimano Ultegra 6700 | SIZES | 48, 51, 54, 56, 58, 61 cm |

Bicycling
2010
EDITORS' CHOICE
Bicycling magazine 2010
Editor's Choice Award
Winner of Best Plush Bike

Top Vélo
ELECTION
VÉLO
France's Top Vélo Issue #5 names
the Synapse Hi-MOD Cyclo Sportive
"2009 Bike of the year!"



SYNAPSE HI-MOD SRAM RED

| | | | | | |
|---------------|---|-------------------------------|--|------------------------------|--------------------------------|
| | | Magnesium White (gloss) (WHT) | | Exposed Carbon (matte) (CRB) | |
| FRAME | Synapse, Hi-MOD, SAVE, BB30 | CRANK | SRAM RED w/ Cannondale graphics, BB30, 34/50 | BRAKES | SRAM RED |
| FORK | Synapse, Hi-MOD full carbon, SAVE, 1-1/8" | DERAILLEURS | SRAM RED | SADDLE | Fi'zi:k Aliante Delta Mg rails |
| WHEELS | Mavic Ksyrium Elite | SHIFTERS | SRAM RED | SIZES | 48, 51, 54, 56, 58, 61cm |



FSA SL-K Light Carbon BB30, 30/39/52

SYNAPSE CARBON ULTEGRA

| | | | | | |
|---------------|------------------------------------|------------------------|-----------------------------------|-------------------------|--------------------------------|
| | | Race Red (gloss) (RED) | | Jet Black (gloss) (BLK) | |
| FRAME | Synapse Carbon, SAVE, BB30 | CRANK (COMPACT) | FSA SL-K Light Carbon BB30, 34/50 | BRAKES | Shimano Ultegra 6700 |
| FORK | Synapse, full carbon, SAVE, 1-1/8" | DERAILLEURS | Shimano Ultegra 6700 | SADDLE | Fi'zi:k Aliante Delta Mg rails |
| WHEELS | DT Swiss R-1700 | SHIFTERS | Shimano Ultegra 6700 | SIZES | 48, 51, 54, 56, 58, 61 cm |



FSA Gossamer
BB30, 30/39/52



SYNAPSE CARBON 105

Berzerker Green (gloss) (GRN)

| | | | | | |
|---------------|------------------------------------|------------------------|------------------------------|---------------|--------------------------|
| FRAME | Synapse Carbon, SAVE, BB30 | CRANK (COMPACT) | FSA Gossamer Pro BB30, 34/50 | BRAKES | Shimano 105 |
| FORK | Synapse, full carbon, SAVE, 1-1/8" | DERAILLEURS | Shimano 105 | SADDLE | Prologo Kappa |
| WHEELS | Mavic Aksium Race | SHIFTERS | Shimano 105 | SIZES | 48, 51, 54, 56, 58, 61cm |



Jet Black (gloss) (BLK)



SYNAPSE CARBON SRAM APEX

Charcoal Grey (matte) (GRY)

| | | | | | |
|---------------|------------------------------------|--------------------|--------------------------|---------------|-------------------------------|
| FRAME | Synapse Carbon, SAVE, BB30 | CRANK | FSA Gossamer BB30, 34/50 | BRAKES | SRAM Apex |
| FORK | Synapse, full carbon, SAVE, 1-1/8" | DERAILLEURS | KMC DX-10 | SADDLE | Cannondale Stage w/Crmo Rails |
| WHEELS | Shimano RS10 | SHIFTERS | SRAM Apex | SIZES | 48, 51, 54, 56, 58, 61 cm |



SLICE

FIND YOUR NEW FAST.

THE QUEEN K. THE LAVA FIELDS. ALI'I DRIVE AND PALANI. WORLD RECORDS AND THE GIRO D'ITALIA, SLICE'D. AND DICED.

LIGHTEST AERO FRAME

Unmatched in stiffness to weight, the 1290 g Hi-MOD is the world's lightest production aero frame. Sick of aero bikes that don't climb? Get on a Slice.

RIDE SMOOTHER. RUN FRESHER

Aerodynamics aren't worth a thing if you can't maintain the aero position or are too beat up to run. Slice's SAVE rear stay micro-suspension system deflects vertically to absorb road shock while staying extremely stiff laterally and torsionally.

SUPERB GEOMETRY.

Tired of nervous, twitchy-handling aero bikes? The Slice descends as well as it climbs. The refined geometry and a two-position aero seatpost enable riders to find their perfect aero position. Stable, neutral handling and SAVE features help them maintain it.



SLICE HI-MOD ULTIMATE

| | | | | | |
|--------|--|-------------|--|--------|--------------------------------|
| FRAME | Slice, Hi-MOD Carbon, SAVE, BB30 | CRANK | Cannondale Hollowgram SL BB30, 39/53 w/Aero Spider | BRAKES | SRAM RED |
| FORK | Slice Aero, Hi-MOD full carbon, 1-1/8" | DERAILLEURS | SRAM RED | SADDLE | Fizik Arione TR12 w/Kium rails |
| WHEELS | Mavic Cosmic Carbone SL | SHIFTERS | SRAM 1090 R2C | SIZES | 51, 54, 56, 58, 60 cm |

Jet Black (matte) BBQ





PALMARES



2009 Ironman
Champion



2007 Ironman
Champion

SLICE ULTEGRA

Magnesium White (gloss) (WHT)

| | | | | | |
|---------------|---------------------------------|--------------------|-------------------------------------|---------------|---------------------------------|
| FRAME | Slice, Carbon, SAVE, BB30 | CRANK | Vision TriMax Carbon TT BB30, 39/53 | BRAKES | Shimano Ultegra 6700 |
| FORK | Slice Aero, full carbon, 1-1/8" | DERAILLEURS | Shimano Ultegra 6700 | SADDLE | Fi'zi:k Arione TRI2, w/Mg Rails |
| WHEELS | Mavic Cosmic Elite | SHIFTERS | Shimano Dura Ace bar-end | SIZES | 51, 54, 56, 58, 60 cm |



SLICE 105

Magnesium White (gloss) (WHT)

| | | | | | |
|---------------|---------------------------------|--------------------|----------------------------|---------------|---------------------------------|
| FRAME | Slice, Carbon, SAVE, BB30 | CRANK | FSA Trimax Pro BB30, 38/52 | BRAKES | Shimano 105 |
| FORK | Slice Aero, full carbon, 1-1/8" | DERAILLEURS | Shimano 105 | SADDLE | Fi'zi:k Arione TRI2, w/Mg Rails |
| WHEELS | Fulcrum Racing 7 | SHIFTERS | Shimano Dura Ace bar-end | SIZES | 51, 54, 56, 58, 60 cm |



SUPERX

SHEER AND UTTER DOMINANCE.

BLENDING THE CARBON TECHNOLOGY OF OUR FLASH WITH THE RACE PROVEN GEOMETRY OF THE CAAD9 CROSS, SUPERX IS A RECIPE FOR DOMINATION. THIS SEASON'S FORECAST: IT'S GONNA REIGN.



1 BALLISTEC CARBON FIBER

SuperX is crafted from BallisTec carbon fiber. Developed for ballistic armoring, this allows SuperX to shrug off rock impacts that would cripple other carbon frames.

2 SAVE REAR MICRO SUSPENSION SYSTEM

SAVE rear stays with flattened cross-sections and sophisticated carbon layup act as a micro-suspension system, keeping you in control and fresh on the most rugged winter courses.

3 OVERSIZED HEAD TUBE

Tapered, oversized head tube houses a 1-1/8" to 1-1/4" tapered carbon steerer fork for maximum strength and steering precision.

SUPERX SRAM RED

| | | | | | |
|--------|---|-------------|-----------------------------------|--------|------------------------------|
| FRAME | SuperX, BallisTec Hi-MOD carbon, SAVE, BB30 | CRANK | FSA SL-K Light Carbon BB30, 36/46 | BRAKES | FSA SLK |
| FORK | SuperX, BallisTec Hi-MOD carbon, 1-1/8" to 1-1/4" | DERAILLEURS | SRAM RED | SADDLE | Fi'zi:k Tundra 2, w/Mg Rails |
| WHEELS | Mavic Ksyrium Elite | SHIFTERS | SRAM RED | SIZES | 44, 48, 52, 54, 56, 58 cm |

Berzerker Green (gloss) (GRN)



CAADX

HEED THE CALL.

WHETHER YOU ARE JUMPING INTO THE FALL MADNESS OF CYCLOCROSS OR SIMPLY LOOKING FOR A SUPREMELY VERSATILE BIKE FOR TRAINING, COMMUTING OR ADVENTURING, THE CAADX CYCLOCROSS BIKE IS THE PERFECT CHOICE.

HEADS-UP RACE GEOMETRY

The CAADX has a slightly taller head tube and slightly slacker head tube angle than the SuperX, providing a more upright position and super stable handling.

CANNONDALE ALUMINUM EXPERTISE

With taper-butted, shaped tubes joined by our trademark double pass smooth welds, CAADX continues our tradition of aluminum mastery.

HOURLASS STAYS

The hourglass shape of the seat stays offers significant vertical compliance for key comfort and control over the harsh ruts and mud of 'cross, while remaining laterally rigid for solid power transfer and confident handling.



PALMARES



2009 Italian National Champion



2009 US National Champion



2007 US National Champion

SUPERX ULTEGRA

Berzerker Green (gloss) (GRN)

| | | | | | |
|--------|---|-------------|------------------------------|--------|------------------------------|
| FRAME | SuperX, BallisTec Hi-MOD carbon, SAVE, BB30 | CRANK | FSA Gossamer Pro BB30, 36/46 | BRAKES | TRP EuroX |
| FORK | SuperX, BallisTec Hi-MOD carbon, 1-1/8" to 1-1/4" | DERAILLEURS | Shimano Ultegra 6700 | SADDLE | Fi'zi:k Tundra 2, w/Mg Rails |
| WHEELS | Mavic Aksium Race | SHIFTERS | Shimano Ultegra 6700 | SIZES | 44, 48, 52, 54, 56, 58 cm |



CAADX ULTEGRA

Race Red (gloss) (RED)

| | | | | | |
|--------|--|-------------|------------------------------|--------|-------------------------------|
| FRAME | CAADX Cyclocross, Optimized 6061 Alloy, BB30 | CRANK | FSA Gossamer Pro BB30, 36/46 | BRAKES | TRP EuroX |
| FORK | Cannondale Ultra X, Carbon Blades, 1-1/8" | DERAILLEURS | Shimano Ultegra 6700 | SADDLE | Cannondale Stage w/Crmo Rails |
| WHEELS | Fulcrum Racing 7 CX | SHIFTERS | Shimano Ultegra 6700 | SIZES | 44, 48, 51, 54, 56, 58, 61 cm |

HELPING THE PLANET HELP ITSELF.



CAADX 105

Brushed Aluminum (RAW)

| | | | | | |
|--------|--|-------------|--------------------------|--------|-------------------------------|
| FRAME | CAADX Cyclocross, Optimized 6061 Alloy, BB30 | CRANK | FSA Gossamer BB30, 36/46 | BRAKES | Tektro CR720, black |
| FORK | Cannondale Ultra X, Carbon Blades, 1-1/8" | DERAILLEURS | Shimano 105 | SADDLE | Cannondale Stage w/Crmo Rails |
| WHEELS | Maddux DRX 6000 | SHIFTERS | Shimano 105 | SIZES | 44, 48, 51, 54, 56, 58, 61 cm |



CAADX TIAGRA

Jet Black (matte) BBQ

| | | | | | |
|--------|---|-------------|---------------------------|--------|-------------------------------|
| FRAME | CAADX Cyclocross, Optimized 6061 Alloy | CRANK | FSA Omega Mega Exo, 36/46 | BRAKES | Tektro CR520, silver |
| FORK | Cannondale Ultra X, Carbon Blades, 1-1/8" | DERAILLEURS | Shimano Tiagra | SADDLE | Cannondale Stage w/Crmo Rails |
| WHEELS | Maddux DRX 6000 | SHIFTERS | Shimano Tiagra | SIZES | 44, 48, 51, 54, 56, 58, 61 cm |

RIDE A BIKE. ANY BIKE.

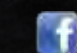
For errands. For exercise. For fun. An oft-quoted fact is that 40% of all trips from home are less than 2 miles and 90% of them are made by car. Replacing one of these trips by bike is an easy start. Pick your route to work, to school, to the gym or to the grocery store. Or consider ditching the gym and riding outside in the summer. The benefits soon pile up: from rediscovering your neighborhood and the freedom of your childhood bike rides, to being active, getting fitter, spending less on gas and unhitching yourself from a car-only mentality.

We encourage you to ride a bike, any bike, and to help us support others who do the same.

SUPPORTING IMBA (INTERNATIONAL MOUNTAIN BIKE ASSOCIATION)

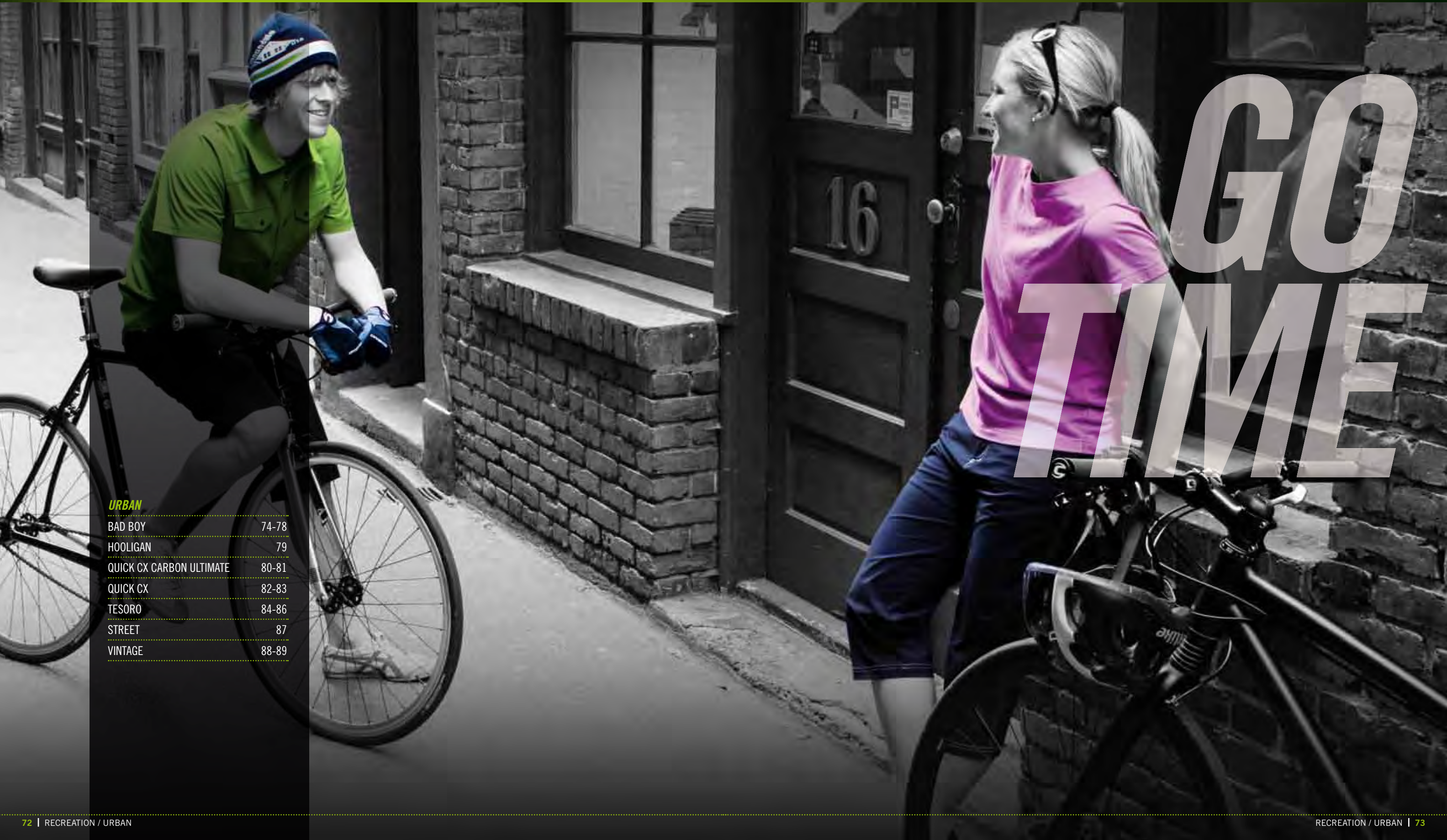
Cannondale's support of IMBA helps ensure that mountain bikers everywhere continue to have the land-access rights, quality trails, and the commitment to advocacy that makes the sport truly fun and enjoyable. Cannondale was one of the first sponsors of IMBA in 1991 and is proud to continue its support of the organization. What will you do without trails? <http://www.imba.com/>

 @ridecannondale

 facebook.com/ridecannondale

www.cannondale.com

RECREATION/URBAN



URBAN

| | |
|--------------------------|-------|
| BAD BOY | 74-78 |
| HOO LIGAN | 79 |
| QUICK CX CARBON ULTIMATE | 80-81 |
| QUICK CX | 82-83 |
| TESORO | 84-86 |
| STREET | 87 |
| VINTAGE | 88-89 |

GO TIME

BAD BOY

THE PERFECT ANTI-BLING STATEMENT.

AT HOME UNDER THE LIGHTS OF AN UPTOWN ART STUDIO OR CHAINED UP OUTSIDE A DOWNTOWN DIVE BAR. STEALTH FIGHTER-INSPIRED. FLY UNDER THE RADAR.

STYLISH INTEGRATION

True to the Bad Boy ethos and style, the handlebar and stem are 3D forged into one piece using our OPI technology.

SAVE STAYS

Optimized chain stay shaping provides lateral rigidity while providing bump absorption and comfort. Lose the sting of the rough city streets without any loss in power transfer.

BAD-ASS FORK OPTIONS

Bad Boy is available with the radical single-legged Fatty Solo DL50 with 50 mm of travel, hydraulic damping and lockout. Other models feature Fatty Solo rigid or Fatty rigid.



BAD BOY ULTRA 8-SPEED

Jet Black / Black Reflective Decals (BBQ)

| | | | | | |
|--------|-----------------------------|-----------------|---|----------|---------------------------|
| FRAME | Bad Boy Si Stealth HeadShok | TIRES | Schwalbe Kojak Bad Boy Edition 622 x 28 | SHIFTERS | Shimano Alfine |
| FORK | Cannondale Fatty Si Ultra | CRANK | Truvativ Firex 1.1. 42T | BRAKES | Auriga Sub - black rotors |
| WHEELS | C2 rim/XT/Rohloff | REAR DERAILLEUR | Shimano Alfine 8-speed | SIZES | S, M, L, XL |



BAD BOY V-BRAKE 26"

Jet Black / Black Reflective Decals (BBQ)

| | | | | | |
|--------|---------------------|-----------------|--|----------|---------------------|
| FRAME | Bad Boy Si classic | TIRES | Schwalbe Kojak Bad Boy Edition 559 x 50 | SHIFTERS | Shimano SL-M360 |
| FORK | Cannondale Fatty Si | CRANK | FSA Alphasdrive alloy rings black 48/36/26 | BRAKES | Tektro 855 -V-Brake |
| WHEELS | C3 rim/Formula/RM30 | REAR DERAILLEUR | Shimano Alivio | SIZES | S, M, L, XL |



BAD BOY DISC 26"

Jet Black / Black Reflective Decals (BBQ)

| | | | | | |
|--------|---------------------|-----------------|--|----------|---------------------------|
| FRAME | Bad Boy Si classic | TIRES | Schwalbe Kojak Bad Boy Edition 559 x 35 | SHIFTERS | Shimano Deore |
| FORK | Cannondale Fatty Si | CRANK | FSA Alphasdrive alloy rings black 48/36/26 | BRAKES | Auriga Sub - black rotors |
| WHEELS | C2 rim/DC20/Deore | REAR DERAILLEUR | Shimano Deore | SIZES | S, M, L, XL |



BAD BOY 700C

Jet Black / Black Reflective Decals (BBQ)

| | | | | | |
|---------------|--------------------------|------------------------|---|-----------------|---------------------------|
| FRAME | Bad Boy Stealth Si | TIRES | Schwalbe Kojak Bad Boy Edition 622 x 28 | SHIFTERS | Shimano SL-R440 |
| FORK | Cannondale Fatty Si | CRANK | TVV Fire | BRAKES | Auriga Sub - black rotors |
| WHEELS | C2 rim/Deore/Deore black | REAR DERAILLEUR | Shimano SLX | SIZES | S, M, L, XL |



BAD BOY 8-SPEED

Jet Black / Black Reflective Decals (BBQ)

| | | | | | |
|---------------|---------------------|------------------------|---|-----------------|---------------------------|
| FRAME | Bad Boy Si Stealth | TIRES | Schwalbe Kojak Bad Boy Edition 622 x 28 | SHIFTERS | Shimano Alfine |
| FORK | Si Fatty Solo | CRANK | Truvativ Firex 1.1. 42T | BRAKES | Auriga Sub - black rotors |
| WHEELS | C2 rim/Lefty/Alfine | REAR DERAILLEUR | Shimano Alfine 8-speed | SIZES | S, M, L, XL |



BAD BOY 3-SPEED

Jet Black / Black Reflective Decals (BBQ)

| | | | | | |
|---------------|---------------------------|------------------------|---|-----------------|---------------------------|
| FRAME | Bad Boy Si Stealth | TIRES | Schwalbe Kojak Bad Boy Edition 622 x 28 | SHIFTERS | Sram Twister |
| FORK | Si Fatty Solo | CRANK | Single Speed CNC chainring 1/2" x 1/8" | BRAKES | Auriga Sub - black rotors |
| WHEELS | C2 rim/Lefty/Sram 3-Speed | REAR DERAILLEUR | Sram 1-Motion 3-Speed Disc black | SIZES | S, M, L, XL |



BAD BOY ULTRA

Jet Black / Black Reflective Decals (BBQ)

| | | | | | |
|---------------|-----------------------------|------------------------|---|-----------------|---------------------------|
| FRAME | Bad Boy Si Stealth HeadShok | TIRES | Schwalbe Kojak Bad Boy Edition 622 x 28 | SHIFTERS | Shimano SL-R440 |
| FORK | Cannondale Fatty Si Ultra | CRANK | TVV Fire X | BRAKES | Auriga Sub - black rotors |
| WHEELS | C2 rim/Deore/XT | REAR DERAILLEUR | Shimano SLX | SIZES | S, M, L, XL |

HOOLIGAN



BAD BOY ULTRA SOLO 26"

Jet Black / Black Reflective Decals (BBQ)

| | | | | | |
|---------------|--------------------------------|------------------------|---|-----------------|---------------------------|
| FRAME | Bad Boy Si Stealth HeadShok | TIRES | Schwalbe Kojak Bad Boy Edition 559 x 35 | SHIFTERS | Shimano SL-R440 |
| FORK | Cannondale Fatty Si Solo Ultra | CRANK | FSA Gossamer Pro 46/36 | BRAKES | Auriga Sub - black rotors |
| WHEELS | C2 rim/Lefty/XT | REAR DERAILLEUR | Shimano SLX | SIZES | S, M, L, XL |



BAD BOY ROHLOFF

Jet Black / Black Reflective Decals (BBQ)

| | | | | | |
|---------------|-------------------------------------|------------------------|---|-----------------|---------------------------|
| FRAME | Bad Boy Si classic HeadShok Rohloff | TIRES | Schwalbe Kojak Bad Boy Edition 622 x 28 | SHIFTERS | Rohloff Twister |
| FORK | Cannondale Fatty Si Ultra | CRANK | Truvativ Stylo 1.1 42T | BRAKES | Auriga Sub - black rotors |
| WHEELS | C2 rim/Deore/Alfine | REAR DERAILLEUR | Rohloff Speedhub | SIZES | S, M, L, XL |



HOOLIGAN

Pearl White / Red Decals (WHT)

| | | | | | |
|---------------|------------------------------|------------------------|--|-----------------|---------------------|
| FRAME | Hooligan Si lite | TIRES | Schwalbe Kojak 406 x 35 | SHIFTERS | Sram Twister |
| FORK | Cannondale Fatty Si Solo | CRANK | FSA Vero single speed 46T double bashguard red ano | BRAKES | Avid BB5 Disc Brake |
| WHEELS | DC3.0 rim/Lefty/Sram 3-speed | REAR DERAILLEUR | Sram I-Motion 3-speed Disc black | SIZES | One Size |

QUICK CX

STYLISH AND RUGGED. SLEEK AND DURABLE.

QUICK CX IS A BEAUTIFUL CONTRADICTION, OFFERING MOUNTAIN BIKE STABILITY AND CITY BIKE NIMBLENESS IN ONE PACKAGE - PERFECT FOR VENTURING OFF THE BEATEN PATH.



1 TRAVEL IN STYLE

Sleek, functional tube shapes make a statement on the streets but are up to the challenge of excursions on rougher roads and bike trails.

2 VIBRATION DAMPING STAYS

Optimized chain stay and seat stay shaping provides bump absorption, comfort and enhanced with no loss in power transfer.

3 HEADS UP RIDING

Quick CX geometry delivers an upright riding position for increased comfort, visibility and enjoyment. Relax and enjoy the ride.

QUICK CX CARBON ULTIMATE

| | | | | | |
|--------|---------------------------------|-----------------|---|----------|-----------------------------|
| FRAME | Quick Full Carbon Si | TIRES | Schwalbe Racing Ralph foldable 622 x 35 | SHIFTERS | Shimano SL-R440 |
| FORK | Cannondale Quick Full Carbon Si | CRANK | FSA SLK light 50/34 Carbon | BRAKES | Cannondale TRP CX09 V-Brake |
| WHEELS | DT Swiss R1900 | REAR DERAILLEUR | Shimano XTR Carbon | SIZES | Men 46, 51, 57 cm |

Carbon / Silver decals (CRB)



QUICK CX / CX MIXTE

Alloy Brushed / Black Decals (RAW)

| | | | | | |
|---------------|--------------------------------|------------------------|--|-----------------|-----------------------|
| FRAME | Quick CX Si | TIRES | Schwalbe CX Comp Cannondale edition 622 x 35 | SHIFTERS | Shimano SL-M360 |
| FORK | Cannondale Fatty Si dual brake | CRANK | FSA Alphadrive alloy rings black 48/36/26 | BRAKES | Tekro 855 -V-Brake |
| WHEELS | TC05 rim/Formula/RM30 | REAR DERAILLEUR | Shimano Alivio | SIZES | Men 48, 52, 56, 60 cm |



QUICK CX / QUICK CX 8 MIXTE

Dark Grey Metallic / Black Decals (GRY)

| | | | | | |
|---------------|--------------------------------|------------------------|--|-----------------|---|
| FRAME | Quick CX Si | TIRES | Schwalbe CX Comp Cannondale edition 622 x 35 | SHIFTERS | Shimano Nexus SL8-S20 |
| FORK | Cannondale Fatty Si dual brake | CRANK | Truvative FiveD 1.0 | BRAKES | Avid Single Digit 5 |
| WHEELS | TC05 rim/Deore/Nexus 8 | REAR DERAILLEUR | Shimano Nexus Inter-8 | SIZES | Men 48, 52, 56, 60 cm / Mixte 48, 53, 55 cm |



QUICK CX 700

Dark Grey / Silver Decals

| | | | | | |
|---------------|--------------------------------|------------------------|--|-----------------|--------------------------|
| FRAME | Quick CX Si | TIRES | Schwalbe CX Comp Cannondale edition 622 x 35 | SHIFTERS | Shimano SL-R440 |
| FORK | Cannondale Fatty Si dual brake | CRANK | FSA Gossamer Pro 46/36 | BRAKES | Cannondale TKB18 V-brake |
| WHEELS | TC05 rim/Deore/Deore | REAR DERAILLEUR | Shimano SLX | SIZES | Men 48, 52, 56, 60 cm |



QUICK CX ULTRA / QUICK CX ULTRA MIXTE

Black / Dark Silver Grey Decals (BLK)

| | | | | | |
|---------------|---------------------------|------------------------|--|-----------------|---|
| FRAME | Quick CX Si HeadShok | TIRES | Schwalbe CX Comp Cannondale edition 622 x 35 | SHIFTERS | Shimano SL-R440 |
| FORK | Cannondale Fatty Si Ultra | CRANK | FSA Gossamer Pro 46/36 | BRAKES | Auriga Sub disc brake |
| WHEELS | DC03 rim/Deore/Deore | REAR DERAILLEUR | Shimano XT | SIZES | Men 48, 52, 56, 60 cm / Mixte 48, 53, 55 cm |

TESORO

FULLY LOADED. WORRY FREE.

OUR MOST POPULAR URBAN FRAMES, FULLY-EQUIPPED FOR FULL-ON COMMUTING OR HARD CORE TOURING. RACKS, PUMPS, KICKSTANDS, FENDERS AND DYNAMO LIGHTS ENSURE YOU CAREFREE RIDING. ENJOY THE VIEW.

FULLY LOADED

Tesoro models come ready with many options to customize your ride including fenders, racks, bike locks, lock mounts and kick stands, to name a few.

CANNONDALE ALUMINUM

Tubing is shaped, butted and optimized and joined with our trademark double-pass smooth weld technology which enables us to build lighter, stronger frames.

TESORO OPTIONS

Front suspension or rigid. Flat bar or drop bar. Equipped for the city or the Serengeti, there is a Tesoro configured to fit your needs.



Jet Black / Silver Decals (BBQ)

TESORO ULTRA / TESORO ULTRA MIXTE

| | | | | | |
|--------|---------------------------|-----------------|----------------------------|----------|--|
| FRAME | Tesoro Si HeadShok | TIRES | Schwalbe Surpreme 622 x 37 | SHIFTERS | Shimano Deore |
| FORK | Cannondale Fatty Si Ultra | CRANK | Shimano FC-M521 | BRAKES | Magura HS33 black |
| WHEELS | TC05 rim/HD Alfine/Deore | REAR DERAILLEUR | Shimano XT | SIZES | Men 48, 52, 56, 60cm; Mixte 48, 53, 55cm |



Black Tint Clear / Silver Decals (BTC)

TESORO 700 / TESORO 700 MIXTE

| | | | | | |
|--------|--------------------------------|-----------------|----------------------------|----------|---|
| FRAME | Tesoro Si | TIRES | Schwalbe Surpreme 622 x 37 | SHIFTERS | Shimano Alivio |
| FORK | Cannondale Fatty Si dual brake | CRANK | Truvativ FiveD 48/36/26 | BRAKES | Avid Single Digit 3 black |
| WHEELS | TC05 rim/DH2-N35/Deore | REAR DERAILLEUR | Shimano Alivio | SIZES | Men 48, 52, 56, 60 cm / Mixte 48, 53, 55 cm |



Alloy Brushed / Dark Grey Decals (RAW)

TESORO LIGHT / TESORO LIGHT MIXTE

| | | | | | |
|--------|--------------------------------|-----------------|----------------------------|----------|---|
| FRAME | Tesoro Si | TIRES | Schwalbe Surpreme 622 x 37 | SHIFTERS | Shimano Deore |
| FORK | Cannondale Fatty Si dual brake | CRANK | Shimano FC-M521 | BRAKES | Avid Single Digit 5 black |
| WHEELS | TC05 rim/Deore/Deore | REAR DERAILLEUR | Shimano SLX | SIZES | Men 48, 52, 56, 60 cm / Mixte 48, 53, 55 cm |

STREET



TESORO TRAVELER ROHLOFF

Jet Black / Dark Silver Grey Decals (BBQ)

| | | | | | |
|--------|----------------------------------|-----------------|---------------------------------|----------|---------------------------|
| FRAME | Tesoro Traveler HeadShok Rohloff | TIRES | Schwalbe Surpreme 622 x 37 | SHIFTERS | Rohloff Twister |
| FORK | Si Fatty Ultra | CRANK | Truvativ Stylo 1.1 42T | BRAKES | Auriga Sub - black rotors |
| WHEELS | DC03 rim/HD Alfine/Rohloff | REAR DERAILLEUR | Rohloff Speed hub silver polish | SIZES | Men 48, 53, 57, 61cm |



TESORO TRAVELER ULTRA

Charcoal Grey / Dark Silver Grey Decals (GRY)

| | | | | | |
|--------|------------------------------|-----------------|----------------------------|----------|-------------------|
| FRAME | C02 SL Si HeadShok | TIRES | Schwalbe Marathon 559 x 50 | SHIFTERS | Shimano Deore |
| FORK | Si Fatty Ultra | CRANK | Shimano FC-M521 | BRAKES | Magura HS33 black |
| WHEELS | Mach 1 Nitro/HD Alfine/Deore | REAR DERAILLEUR | Shimano XT | SIZES | S, M, L, X |



STREET SPORT NEXUS / STREET SPORT NEXUS FÉMININE

Lorep Ipsum (dolores) (XXX)

| | | | | | |
|--------|--------------------------|-----------------|--------------------------------------|----------|--|
| FRAME | Si Street Lite | TIRES | Schwalbe Road Cruiser Light 622 x 37 | SHIFTERS | Shimano Nexus 8-Speed |
| FORK | Suntour SF-CR9 | CRANK | Suntour Singlespeed | BRAKES | Shimano Rollerbrakes |
| WHEELS | DC03 rim/DH2-N35/Nexus 8 | REAR DERAILLEUR | N/A | SIZES | Men 48, 53, 57, 61 cm / Féminine 44, 48, 53 cm |



VINTAGE

NOT YOUR PARENT'S BIKE.

**COOL. RETRO. FUNCTIONAL.
THE LOOK AND FEEL OF YESTERYEAR
MEETS THE TECHNOLOGY OF TODAY.**

CLASSIC MEETS HI-TECH.

Classy yesteryear looks of the Vintage combine with the latest technology for a package that looks and rides gracefully but that's ready for a spirited race to the local café. Last one buys the donuts.

GET UP AND GO.

Asphalt or bike path, rain or shine, work clothes or casual, Vintage is equipped to allow you to just get up and go: rear rack carries your extras, fenders ward off the damp and chain guard keeps clothes clean and fresh. Lightweight LED lights and kick stand provide security.

COMFORT AND VISIBILITY.

Vintage urban geometry with an adjustable stem delivers an upright riding position for increased comfort, visibility and enjoyment. Also available in a Mixte frame for step-thru' convenience.



VINTAGE 8 ULTRA / VINTAGE 8 ULTRA FÉMININE

| | | | | | |
|---------------|---------------------------|------------------------|----------------------------|-----------------|---|
| FRAME | Vintage Si lite HeadShok | TIRES | Schwalbe Surpreme 622 x 37 | SHIFTERS | Shimano Alfine |
| FORK | Si Fatty Ultra | CRANK | Truvative FiveD 1.0 | BRAKES | Auriga Sub - black rotors |
| WHEELS | C2 rim/HD Alfine/Alfine 8 | REAR DERAILLEUR | Shimano Alfine 8-speed | SIZES | Men 48,53,57,61 cm / Féminine 44,48,53 cm |



Jet Black (BBQ)



VINTAGE / VINTAGE MIXTE

| | | | | | |
|---------------|------------------------|------------------------|--------------------------------|-----------------|--|
| FRAME | Vintage Si lite | TIRES | Schwalbe Surpreme 622 x 37 | SHIFTERS | Shimano Deore |
| FORK | Si Fatty | CRANK | Shimano FC-M443 black 44/32/32 | BRAKES | Auriga Sub - black rotors |
| WHEELS | C2 rim/HD Alfine/Deore | REAR DERAILLEUR | Shimano Deore | SIZES | Men 48, 53, 57, 61 cm / Féminine 44, 48, 53 cm |



Jet Black (BBQ)



VINTAGE 8 / VINTAGE 8 FÉMININE

| | | | | | |
|---------------|---------------------------|------------------------|----------------------------|-----------------|---|
| FRAME | Vintage Si lite | TIRES | Schwalbe Surpreme 622 x 37 | SHIFTERS | Shimano Alfine |
| FORK | Si Fatty Disc specific | CRANK | Truvative FiveD 1.0 | BRAKES | Auriga Sub - black rotors |
| WHEELS | C2 rim/HD Alfine/Alfine 8 | REAR DERAILLEUR | Shimano Alfine 8-speed | SIZES | Men 48,53,57,61 cm / Féminine 44,48,53 cm |



Jet Black (BBQ)



VINTAGE ULTRA / VINTAGE ULTRA MIXTE

| | | | | | |
|---------------|--------------------------|------------------------|-----------------------------|-----------------|---|
| FRAME | Vintage Si lite HeadShok | TIRES | Schwalbe Surpreme 622 x 37 | SHIFTERS | Shimano SLX |
| FORK | Si Fatty Ultra | CRANK | Truvativ Firex 3.3 44/32/22 | BRAKES | Auriga Sub - black rotors |
| WHEELS | C2 rim/HD Alfine/XT | REAR DERAILLEUR | Shimano XT | SIZES | Men 48,53,57,61 cm / Féminine 44,48,53 cm |



Jet Black (BBQ)

GO RIDE

FULL SUSPENSION

LEXI 92-93

HARDTAIL

FLASH / TRAIL SL 94-95

ELITE ROAD

SUPERSIX 96-97

PERFORMANCE ROAD

SYNAPSE 98-99

LEXI

LOVES TO GET DIRTY.

THE ULTIMATE WOMEN'S BIKE FOR MARATHON RACING AND ALL-DAY RIDING. GO AHEAD, GET DIRTY.

OPI, ONE-PIECE INTEGRATION BACKBONE

Lexi's seat tube, BB shell and swingarm pivot are 3D forged as one piece, eliminating excess material and providing uniform grain alignment throughout for extreme strength in this crucial area.

SIZE-SPECIFIC SHOCK LINK

Instead of just lowering the shock mount, we created an entirely different linkage so that Lexi's smaller frames maintain the refined leverage ratios and shock performance of our larger frames.

MUSCLE LESS, RIDE MORE

Lexi's front end features our System integration approach which designs parts in harmony to enhance weight saving and performance. The benefit to you is a light nimble front end that you won't have to muscle around.



LEXI 1

Magnesium White (gloss) (WHT)

| | | | | | |
|-------------------------|---|-------------------------|---------------------------------------|---------------|--|
| FRAME | Lexi, 120mm, SmartFormed Alloy, BB30, 1.5 Si headtube | SHIFTERS | SRAM X-7 | BRAKES | Avid Elixir 5, 160/160 |
| SUSPENSION (R/F) | RockShox Monarch RT3 / Lefty Ultra PBR, 120 mm | DERAILLEUR (R/F) | SRAM X-9 Carbon, 10-speed/Shimano SLX | TIRES | Schwalbe Rocket Ron Performance 26 x 2.25" folding |
| WHEELS | Mavic XM317 | CRANK | FSA Comet 386 BB30, 39/27 | SIZES | P, S, M |



LEXI 2

Soldier of Fortune (matte) (GRN)

| | | | | | |
|-------------------------|--|-------------------------|-----------------------------------|---------------|---------------------------------|
| FRAME | Lexi, 120mm, SmartFormed Alloy, BB30, 1.5 Si headtube | SHIFTERS | SRAM X-7 | BRAKES | Avid Elixir 3, 185/160 |
| SUSPENSION (R/F) | X-Fusion RL2 / RockShox Recon Silver TK, 120 mm, 1.5", 20 mm | DERAILLEUR (F/R) | Shimano Alivio /SRAM X-9, 9-speed | TIRES | Schwalbe Black Shark 26 x 2.25" |
| WHEELS | Mach1 Sub Zero Disc | CRANK | Shimano M4308 Octalink 44/32/22 | SIZES | P, S, M |



FLASH

GO AHEAD, CHICK SOMEONE.

DON'T BE SHY ABOUT BLOWING RIGHT BY SOMEONE. WITH A SMILE ON YOUR FACE AND A POLITE "HEY, NICE RIDE". THEN YOU'RE GONE.

SUPER LIGHT WEIGHT

At 1450 grams, Flash Alloy is lighter than most of our competitor's carbon offerings.

CANNONDALE ALUMINUM

Flash's sophisticated SmartFormed tubing manipulation and our trademark double pass smooth welds reflect our almost 30 years of aluminum supremacy.

SAVE MICRO SUSPENSION SYSTEM

Careful shaping and wall thickness manipulation on the rear stays allows them to deflect vertically while remaining stiff laterally and torsionally, absorbing shock and enhancing control.



FLASH WOMEN'S

Jet Black (gloss) (BLK)

| | | | | | |
|---------------|--|-------------------------|--------------------------------------|---------------|---------------------------------|
| FRAME | Flash, SmartFormed Alloy, SAVE, BB30, 1.5 Si | SHIFTERS | SRAM X-7 | BRAKES | Avid Elixir 3, 160/160 |
| FORK | Fatty DLR80, 80mm, OPI | DERAILLEUR (R/F) | SRAM X-9 Carbon, 10-speed / SRAM X-7 | TIRES | Schwalbe Black Shark 26 x 2.25" |
| WHEELS | Mach1 Sub Zero Disc | CRANK | FSA Comet 386 BB30, 39/27 | SIZES | P, S, M, T |



TRAIL SL WOMEN'S 2

Magnesium White (gloss) (WHT)

| | | | | | |
|---------------|---|-------------------------|--------------------------------------|---------------|-------------------------------------|
| FRAME | Trail SL Women's, 6061 alloy, SAVE, 1.5" Si | SHIFTERS | Shimano SLX | BRAKES | Shimano M445 hydraulic disc 160/160 |
| FORK | RST Deuce Air 100 mm, lock-out, rebound, 1.5" | DERAILLEUR (R/F) | Shimano Deore / Shimano SLX, 9-speed | TIRES | Schwalbe Black Jack 26 x 2.1" |
| WHEELS | Maddux DC3.0 Disc | CRANK | Shimano M4308 Octalink 44/32/22 | SIZES | P, S, M, T |



TRAIL SL WOMEN'S 3

Magnesium White (gloss) (WHT)

| | | | | | |
|---------------|--|-------------------------|---------------------------------|---------------|---|
| FRAME | Trail SL Women's, 6061 alloy, SAVE, 1.5" Si | SHIFTERS | SRAM X-5 | BRAKES | Tektro Draco SL Hydraulic disc, 160/160 |
| FORK | RST Deuce Coil 100 mm, L/O, rebound, w/softer spring, 1.5" | DERAILLEUR (R/F) | SRAM X-5, 9-speed / SRAM X-5 | TIRES | Schwalbe Black Jack 26 x 2.1" |
| WHEELS | Maddux DC3.0 Disc | CRANK | Shimano M4308 Octalink 44/32/22 | SIZES | P, S, M, T |



TRAIL SL WOMEN'S 5

Fine Silver (matte) (SLV)

| | | | | | |
|---------------|---|-------------------------|--|---------------|--|
| FRAME | Trail SL Women's, 6061 alloy, SAVE, 1.5" Si | SHIFTERS | Shimano M410 trigger | BRAKES | Promax CD 7.0 Mechanical disc, 160/160 |
| FORK | RST GILA PRO TNL, w/softer spring | DERAILLEUR (R/F) | Shimano Alivio, 8-speed / Shimano M311 | TIRES | Schwalbe Black Jack 26 x 2.1" |
| WHEELS | Alex DC450 Disc | CRANK | Suntour XCT V2 44/32/22 | SIZES | P, S, M, T |

SUPERSIX

BEATING THE BOYS NEVER LOOKED SO GOOD.

**FOR WOMEN RACERS EVERYWHERE.
WOMEN WHO LIVE TO PIN ON A NUMBER.
WOMEN WHO LIVE TO GO FAST.
WOMEN WHO FIT TRAINING INTO LIFE.
SUPERSIX IS OUR SALUTE TO YOU.**

POWER TRANSFER BEATBOX

Massively oversized Beatbox BB area paired with super stiff and light BB30 system delivers the torsional rigidity needed to turn the twisting loads from the cranks (R/F)s into forward momentum.

HOURLASS STAYS

Hourglass stays allow the vertical compliance necessary to maintain confident control over less-than-perfect surfaces, and the comfort required to deliver maximum performance after long days in the saddle.

ULTIMATE CONTROL

Deep radius head tube and 1-1/8" to 1-1/2" tapered carbon steerer fork provide maximum torsional stiffness for precise steering and wicked sprinting. Molded carbon headset cups replace aluminum for weight savings.



SUPERSIX ULTEGRA WOMEN'S

FRAME SuperSix Women's Carbon, BB30
FORK SuperSix, full carbon, 1-1/8" - 1.5", alloy dropouts
WHEELS Mavic Ksyrium Equipe

CRANK FSA SL-K Light Carbon BB30, 34/50
DERAILLEURS Shimano Ultegra 6700
SHIFTERS Shimano Ultegra 6700

BRAKES Shimano Ultegra 6700
SADDLE Fizik Vesta w/Mg rails
SIZES 44, 48, 51, 54 cm

Magnesium White (gloss) (WHT)



SYNAPSE

PERFORMANCE MEETS COMFORT.

DISCOVER THAT THERE ARE NO LIMITS TO WHAT YOU CAN DO.

AWARD-WINNING

Word is getting around: Synapse' comfort and performance features were recognized by the cognoscenti of Bicycling magazine when it beat out a field of competitors to win the Editors Choice Best Women's Road Bike award.

PERFORMANCE GEOMETRY

A taller head tube compared to our Women's SuperSix, gently sloping top tube, slightly relaxed head angle and longer wheelbase produce a more upright riding position and a confidence-inspiring, relaxing ride which avoids the sluggish feel of many "comfort" road bikes.

SAVE MICRO SUSPENSION SYSTEM

Careful shaping and carbon layup of the rear stays and fork blades absorb road shock and vibration while staying extremely rigid laterally for power transfer and confident cornering.



SYNAPSE WOMEN'S CARBON 105

Magnesium White w/blue (gloss) (WHT)

| | | | | | |
|--------|------------------------------------|-------------|-----------------------------|--------|----------------------------|
| FRAME | Synapse Women's Carbon, SAVE, BB30 | CRANK | FSA Gossamer BB30, 30/39/52 | BRAKES | Shimano 105 w/reach adjust |
| FORK | Synapse, full carbon, SAVE, 1-1/8" | DERAILLEURS | Shimano 105 Long Cage | SADDLE | Prologo Kappa Dea |
| WHEELS | Mavic Aksium Race | SHIFTERS | Shimano 105 w/reach adjust | SIZES | 44, 48, 51, 54 cm |



SYNAPSE WOMEN'S ALLOY TIAGRA

Magnesium White w/pink (gloss) (WHT)

| | | | | | |
|--------|---|-------------|--------------------------|--------|--------------------------|
| FRAME | Synapse Women's, Optimized 6061 Alloy, SAVE | CRANK | Shimano Tiagra, 30/39/50 | BRAKES | Shimano Tiagra |
| FORK | Synapse SAVE, carbon blades, 1-1/8" | DERAILLEURS | Shimano Tiagra | SADDLE | Cannondale Raven Women's |
| WHEELS | Maddux 3.0 | SHIFTERS | Shimano Tiagra | SIZES | 44, 48, 51, 54 cm |

MOUNTAIN | SPECIFICATIONS

| | <i>CLAYMORE 1</i> | <i>CLAYMORE 2</i> | <i>CLAYMORE 3</i> | <i>JEKYLL ULTIMATE</i> | <i>JEKYLL HI-MOD 1</i> |
|-------------------------|--|--|--|--|--|
| Code | 1VA1 | 1VA2 | 1VA3 | 1VND | 1VNI |
| Frame | Claymore alloy 180/110 mm BB30, ISCG 03, adjustable geometry, Si12 dropouts and 1.5" head tube | Claymore alloy 180/110 mm BB30, ISCG 03, adjustable geometry, Si12 dropouts and 1.5" head tube | Claymore alloy 180/110 mm BB30, ISCG 03, adjustable geometry, Si12 dropouts and 1.5" head tube | Jekyll BallisTec Hi-MOD Nano full carbon 150/90 mm BB30, ISCG 03, Si12 dropouts and 1.5" head tube | Jekyll BallisTec Hi-MOD Nano full carbon 150/90 mm BB30, ISCG 03, Si12 dropouts and 1.5" head tube |
| Fork | Fox 36 Talas RC2 FIT 180 mm thru20 1.5" steerer | Fox 36 Talas R open bath 180 mm thru20 1.5" steerer | Fox 36 Float R open bath 180 mm thru20 1.5" steerer | Fox 32 Talas TerraLogic FIT 150 mm 15QR custom 1.5" steerer | Fox 32 Talas RLC FIT 150 mm 15QR custom 1.5" steerer |
| Rear Shock | custom Fox Dyad pull-shock adjustable travel and remote lever | custom Fox Dyad pull-shock adjustable travel and remote lever | custom Fox Dyad pull-shock adjustable travel and remote lever | custom Fox Dyad pull-shock adjustable travel and remote lever | custom Fox Dyad pull-shock adjustable travel and remote lever |
| Rims | Mavic CrossMax SX | SunRingle Charger Pro NoTubes | Mach 1 2.30 Disc HoneyComb | CrankBrothers Cobalt | SunRingle BlackFlag Pro NoTubes |
| Hubs | Mavic CrossMax SX | SunRingle Charger Pro | Formula DHL91 & DHL142 | CrankBrothers Cobalt | SunRingle BlackFlag Pro |
| Spokes | Mavic CrossMax SX | SunRingle Charger Pro | DT Swiss Champion | CrankBrothers Cobalt | SunRingle BlackFlag Pro |
| Tires | Schwalbe Fat Albert TrailStar front & PaceStar rear 2.4" | Schwalbe Fat Albert TrailStar front & PaceStar rear 2.4" | Schwalbe Fat Albert Performance 2.4" folding" | Schwalbe Nobby Nic PaceStar 2.4" | Schwalbe Nobby Nic PaceStar 2.4" |
| Pedals | N/A | N/A | N/A | N/A | N/A |
| Cranks | FSA Afterburner 386 BB30 39/27t bashguard | FSA Afterburner 386 BB30 39/27t bashguard | FSA Comet 386 BB30 39/27t bashguard | Cannondale Si Hollowgram SL BB30 for SRAM XX 39/26t | FSA SL-K 386 BB30 44/32/22t |
| Bottom Bracket | BB30 included crank | BB30 included crank | BB30 included crank | Cannondale Si BB30 Ceramic | BB30 included crank |
| Chain | KMC X10SL CP | Shimano HG74 10sp | KMC X10SL CP | KMC X10SL CP | Shimano HG74 10sp |
| Rear Cogs | Shimano XT 11-36t 10sp | Shimano SLX 11-36t 10sp | Shimano SLX 11-36t 10sp | SRAM XX 11-36t 10sp | Shimano XT 11-36t 10sp |
| Front Derailleur | Shimano SLX | Shimano SLX | Shimano SLX | SRAM X-0 | Shimano XT |
| Rear Derailleur | SRAM X-0 | Shimano XT | SRAM X-9 | SRAM XX | Shimano XTR |
| Shifters | SRAM X-9 | Shimano SLX display | Shimano SLX display | SRAM XX MatchMaker | Shimano XT display |
| Handlebar | Syntaxe Vector 31.8 Carbon | Cannondale C2 riser | Cannondale C2 riser | Syntaxe Vector 31.8 Carbon | custom FSA SL-K riser |
| Grips | Cannondale D2 lock-on | Cannondale D2 lock-on | Cannondale D2 | Cannondale D2 lock-on | Cannondale D2 lock-on |
| Stem | FSA Gravity Light 1.5" | Cannondale C2 1.5" | Cannondale C3 1.5" | FSA Gravity Light 1.5" | Cannondale C2 1.5" |
| Headset | Cane Creek 1.5" integrated | Cane Creek 1.5" integrated | Cane Creek 1.5" integrated | Cane Creek 1.5" integrated | Cane Creek 1.5" integrated |
| Brakes | Avid Elixir X-0 Carbon | Avid Elixir CR | Avid Elixir R | Avid Elixir X-0 Carbon | Avid Elixir CR Carbon |
| Saddle | Cannondale Stage crmo rails | Cannondale Stage crmo rails | Cannondale Stage crmo rails | Fizik Tundra2 carbon rails | Fizik Gobi manganese rails |
| Seatpost | RockShox Reverb height adjustable 31.6 mm zero offset | Cannondale C2 31.6 mm zero offset | Cannondale C2 31.6 mm zero offset | RockShox Reverb height adjustable 31.6 mm zero offset | RockShox Reverb height adjustable 31.6 mm zero offset |
| Sizes | S, M, L, XL | S, M, L, XL | S, M, L, XL | S, M, L, XL | S, M, L, XL |
| Color 1 | Magnesium White (gloss) (WHT) | Jet Black (matte) (BBQ) | Jet Black (matte) (BBQ) | Jet Black (matte) (BBQ) | Berserker Green (gloss) (GRN) |
| Color 2 | N/A | N/A | N/A | N/A | Charcoal Grey (matte) (GRY) |
| Extras | shock pump | tubeless sealant, shock pump | shock pump | shock pump | tubeless sealant, shock pump |

| | <i>JEKYLL HI-MOD 2</i> | <i>JEKYLL 3</i> | <i>JEKYLL 4</i> | <i>RZ ONE TWENTY 0</i> | <i>RZ ONE TWENTY 1</i> |
|-------------------------|--|--|--|--|--|
| Code | 1VN2 | 1VN3 | 1VN4 | 1VLO | 1VL1 |
| Frame | Jekyll BallisTec Hi-MOD Nano full carbon 150/90 mm BB30, ISCG 03, Si12 dropouts and 1.5" head tube | Jekyll alloy 150/90 mm BB30, ISCG 03, Si12 dropouts and 1.5" head tube | Jekyll alloy 150/90 mm BB30, ISCG 03, Si12 dropouts and 1.5" head tube | RZ One Twenty alloy 120 mm BB30 backbone and 1.5" HeadShok head tube | RZ One Twenty alloy 120 mm BB30 backbone and 1.5" HeadShok head tube |
| Fork | Fox 32 Talas RL FIT 150 mm 15QR custom 1.5" steerer | Fox 32 Talas RL open bath 150 mm 15QR custom 1.5" steerer | Fox 32 Float RL open bath 150 mm 15QR custom 1.5" steerer | Lefty Ultra alloy PBR and Solo Air OPI | Lefty Ultra alloy PBR and Solo Air OPI |
| Rear Shock | custom Fox Dyad pull-shock adjustable travel and remote lever | custom Fox Dyad pull-shock adjustable travel and remote lever | custom Fox Dyad pull-shock adjustable travel and remote lever | RockShox Monarch RT3 custom tune | RockShox Monarch RT3 custom tune |
| Rims | SunRingle BlackFlag Expert Plus noTubes | DT Swiss M480 | Mach 1 2.30 Disc HoneyComb | SunRingle BlackFlag Expert NoTubes | Mavic XM317 Disc |
| Hubs | custom SunRingle BlackFlag Expert Plus | Formula DC71 & DHL142 | Formula DC71 & DHL142 | SunRingle BlackFlag Expert | Cannondale Lefty SL & Shimano M525 |
| Spokes | SunRingle BlackFlag Expert | DT Swiss Champion | DT Swiss Champion | SunRingle BlackFlag Expert | DT Swiss Competition |
| Tires | Schwalbe Nobby Nic PaceStar 2.4" | Schwalbe Nobby Nic PaceStar 2.4" | Schwalbe Black Shark 2.25", wb" | Schwalbe Rocket Ron PaceStar 2.25" | Schwalbe Rocket Ron Perf. 2.25" folding" |
| Pedals | N/A | N/A | N/A | N/A | N/A |
| Cranks | FSA Afterburner BB30 44/32/22t | FSA Afterburner BB30 44/32/22t | Truvativ FireX 3.3 44/32/22t | FSA Afterburner BB30 44/32/22t | FSA Afterburner BB30 44/32/22t |
| Bottom Bracket | BB30 included crank | BB30 included crank | included crank | BB30 included crank | BB30 included crank |
| Chain | KMC X10SL CP | Shimano HG74 10sp | SRAM PC971 9sp | Shimano HG74 10sp | KMC X10SL CP |
| Rear Cogs | Shimano SLX 11-36t 10sp | Shimano SLX 11-36t 10sp | SRAM PG950 11-34t 9sp | Shimano XT 11-36t 10sp | Shimano SLX 11-36t 10sp |
| Front Derailleur | SRAM X-7 | Shimano XT | Shimano SLX | Shimano XT | SRAM X-7 |
| Rear Derailleur | SRAM X-9 carbon | Shimano XT | SRAM X-7 carbon | Shimano XTR | SRAM X-9 carbon |
| Shifters | SRAM X-9 | Shimano SLX display | SRAM X-7 | Shimano SLX display | SRAM X-7 |
| Handlebar | Cannondale C2 riser | Cannondale C2 riser | Cannondale C2 riser | Cannondale C2 riser | Cannondale C2 riser |
| Grips | Cannondale D2 lock-on | Cannondale D2 lock-on | Cannondale D2 | Cannondale D2 lock-on | Cannondale D2 lock-on |
| Stem | Cannondale C2 1.5" | Cannondale C3 1.5" | Cannondale C3 1.5" | Cannondale OPI adjustable stem/steerer 3D forged | Cannondale OPI adjustable stem/steerer 3D forged |
| Headset | Cane Creek 1.5" integrated | Cane Creek 1.5" integrated | Cane Creek 1.5" integrated | Cannondale Si HeadShok | Cannondale Si HeadShok |
| Brakes | Avid Elixir CR | Avid Elixir CR | Avid Elixir 3 | Avid Elixir CR | Avid Elixir 5 |
| Saddle | Cannondale Stage crmo rails | Cannondale Stage crmo rails | Cannondale Stage steel rails | Fizik Tundra2 manganese rails | Fizik Tundra2 manganese rails |
| Seatpost | Cannondale C2 31.6 mm zero offset | Cannondale C2 31.6 mm zero offset | Cannondale C4 31.6 mm zero offset | Cannondale C2 31.6 mm 17 mm offset | Cannondale C2 31.6 mm 17 mm offset |
| Sizes | S, M, L, XL | S, M, L, XL | S, M, L, XL | S, M, L, XL | S, M, L, XL |
| Color 1 | Berserker Green (gloss) (GRN) | Ultra Blue (gloss) (BLU) | Ultra Blue (gloss) (BLU) | Magnesium White (gloss) (WHT) | Jet Black (matte) (BBQ) |
| Color 2 | Charcoal Grey (matte) (GRY) | Magnesium White (gloss) (WHT) | Magnesium White (gloss) (WHT) | N/A | Magnesium White (gloss) (WHT) |
| Extras | tubeless sealant, shock pump | shock pump | shock pump | tubeless sealant | tubeless sealant, shock pump |

FULL SUSPENSION & HARDTAIL MOUNTAIN | SPECIFICATIONS

| | <i>RZ ONE TWENTY 2</i> | <i>RZ ONE TWENTY 3</i> | <i>SCALPEL ULTIMATE</i> | <i>SCALPEL 1</i> | <i>SCALPEL 2</i> |
|-------------------------|--|---|--|--|--|
| Code | 1VL2 | 1VL3 | 1VP0 | 1VP1 | 1VP2 |
| Frame | RZ One Twenty alloy 120 mm BB30 backbone and 1.5" HeadShok head tube | RZ One Twenty alloy 120 mm BB30 backbone and 1.5" HeadShok head tube | Scalpel BallisTec Hi-MOD full carbon 80 mm Zero Pivot SAVE BB30, staged travel and 1.5" HeadShok head tube | Scalpel BallisTec Hi-MOD full carbon 80 mm Zero Pivot SAVE BB30, staged travel and 1.5" HeadShok head tube | Scalpel BallisTec Hi-MOD full carbon 80 mm Zero Pivot SAVE BB30, staged travel and 1.5" HeadShok head tube |
| Fork | Fox 32 Float RL open bath 120 mm custom 1.5" steerer | RockShox Recon Silver TK Solo Air 120 mm, thru20 Maxle Lite and custom 1.5" alloy steerer | X Fusion 02 RL2 | Lefty Speed Carbon PBR and Solo Air OPI | Lefty Speed alloy XLR and Solo Air OPI |
| Rear Shock | Fox RP2 | RockShox Monarch RT3 custom tune | Fox RP23 Boost Valve custom tune | RockShox Monarch RT3 custom tune | RockShox Monarch RT3 custom tune |
| Rims | Mavic XM317 Disc | DT Swiss XCR 1.2 carbon tubeless-ready kit | DT Swiss XCR 1.2 carbon tubeless-ready kit | DT Swiss XCR 1.5 tubeless-ready kit | DT Swiss XCR 1.5 tubeless-ready kit |
| Hubs | Shimano M525 | DT Swiss XCR 1.2 | DT Swiss XCR 1.2 | DT Swiss XCR 1.5 | DT Swiss XCR 1.5 |
| Spokes | DT Swiss Champion | DT Swiss Champion | DT Swiss Champion | Mavic CrossMax SLR | DT Swiss XCR 1.5 |
| Tires | Schwalbe Black Shark 2.25", wb" | Schwalbe Black Shark 2.25", wb" | Schwalbe Furious Fred PaceStar 2.0" | Schwalbe Racing Ralph PaceStar 2.1" | Schwalbe Racing Ralph PaceStar 2.1" |
| Pedals | N/A | Wellgo flat alloy cage, clip and straps | N/A | N/A | N/A |
| Cranks | Shimano M552 42/32/24t | Shimano M4308 Octalink 44/32/22t | Cannondale Si Hollowgram SL BB30 for SRAM XX 42/28t | FSA SL-K 386 BB30 42/27t | FSA Afterburner 386 BB30 42/27t |
| Bottom Bracket | included crank | Shimano ES25 Octalink | Cannondale Si BB30 Ceramic | BB30 included crank | BB30 included crank |
| Chain | Shimano HG74 10sp | KMC X9.73 | KMC X10SL CP | Shimano M980 10sp | KMC X10SL CP |
| Rear Cogs | Shimano SLX 11-36t 10sp | SRAM PG950 11-34t 9sp | SRAM XX 11-36t 10sp | Shimano XTR 11-36t 10sp | Shimano XT 11-36t 10sp |
| Front Derailleur | Shimano SLX | Shimano Alivio | SRAM XX | Shimano XTR | SRAM X-0 |
| Rear Derailleur | Shimano SLX | SRAM X-7 | SRAM XX | Shimano XTR | SRAM X-0 |
| Shifters | Shimano SLX display | SRAM X-7 | SRAM XX MatchMaker | Shimano XTR | SRAM X-0 |
| Handlebar | Cannondale C2 riser | Cannondale C3 riser | FSA K-Force Light Nano flat | FSA SL-K flat | Cannondale C2 "zero rise" |
| Grips | Cannondale D2 lock-on | Cannondale D2 | Cannondale LE SuperLight II lock-on | Cannondale LE SuperLight II lock-on | Cannondale LE SuperLight II lock-on |
| Stem | Cannondale C3 1.5" | Cannondale C3 1.5" | Cannondale OPI adjustable stem/steerer 3D forged | Cannondale OPI adjustable stem/steerer 3D forged | Cannondale OPI adjustable stem/steerer 3D forged |
| Headset | Cane Creek 1.5" integrated | Cane Creek 1.5" integrated | Cannondale Si HeadShok | Cannondale Si HeadShok | Cannondale Si HeadShok |
| Brakes | Avid Elixir 3 | Avid Elixir 3 | SRAM XX | Magura Marta SL Carbon | Avid Elixir CR Carbon |
| Saddle | Cannondale Stage crmo rails | Cannondale Stage steel rails | Fizik Antares carbon rails | Fizik Tundra2 kiium rails | Fizik Tundra2 manganese rails |
| Seatpost | Cannondale C2 31.6 mm 17 mm offset | Cannondale C4 31.6 mm zero offset | FSA K-Force Light 31.6 mm 25 mm offset | Fizik Cyrano 31.6 mm 25 mm offset | Fizik Cyrano 31.6 mm 25 mm offset |
| Sizes | S, M, L, XL | S, M, L, XL | S, M, L, XL | S, M, L, XL | S, M, L, XL |
| Color 1 | Berserker Green (gloss) (GRN) | Jet Black (gloss) (BLK) | Cannondale Factory Racing Team (gloss) (REP) | Magnesium White (gloss) (WHT) | Magnesium White (gloss) (WHT) |
| Color 2 | Magnesium White (gloss) (WHT) | Magnesium White (gloss) (WHT) | N/A | Berserker Green (gloss) (GRN) | Berserker Green (gloss) (GRN) |
| Extras | | | tubeless sealant, DT Swiss RWS Ti rear | tubeless sealant, DT Swiss RWS rear | tubeless sealant, DT Swiss RWS rear |

| | <i>SCALPEL 3</i> | <i>FLASH ULTIMATE</i> | <i>FLASH HI-MOD 1</i> | <i>FLASH HI-MOD 2</i> | <i>FLASH CARBON 3</i> |
|-------------------------|--|---|---|---|---|
| Code | 1VP3 | 1FS0S | 1FS1S | 1FS2S | 1FS3S |
| Frame | Scalpel BallisTec Hi-MOD full carbon 80 mm Zero Pivot SAVE BB30, staged travel and 1.5" HeadShok head tube | Flash BallisTec Hi-MOD SAVE, BB30 specific geometry and 1.5" HeadShok head tube | Flash BallisTec Hi-MOD SAVE, BB30 specific geometry and 1.5" HeadShok head tube | Flash BallisTec Hi-MOD SAVE, BB30 specific geometry and 1.5" HeadShok head tube | Flash BallisTec carbon SAVE, BB30 specific geometry and 1.5" HeadShok head tube |
| Fork | Lefty Speed alloy PBR and Solo Air OPI | Lefty Speed Carbon XLR and Solo Air OPI | Lefty Speed Carbon PBR and Solo Air OPI | Lefty Speed alloy XLR and Solo Air OPI | Lefty Speed alloy PBR and Solo Air OPI |
| Rear Shock | RockShox Monarch RT3 custom tune | N/A | N/A | N/A | N/A |
| Rims | DT Swiss XCR 1.7 | DT Swiss XCR 1.2 carbon tubeless-ready kit | Mavic CrossMax SLR Disc | DT Swiss XCR 1.5 tubeless-ready kit | SunRingle BlackFlag Expert NoTubes |
| Hubs | DT Swiss XCR 1.7 | DT Swiss XCR 1.2 | Mavic CrossMax SLR | DT Swiss XCR 1.5 | SunRingle BlackFlag Expert |
| Spokes | DT Swiss XCR 1.7 | DT Swiss XCR 1.2 | Mavic CrossMax SLR | DT Swiss XCR 1.5 | SunRingle BlackFlag Expert |
| Tires | Schwalbe Racing Ralph PaceStar 2.1" | Schwalbe Furious Fred PaceStar 2.0" | Schwalbe Racing Ralph PaceStar 2.1" | Schwalbe Racing Ralph PaceStar 2.1" | Schwalbe Racing Ralph PaceStar 2.1" |
| Pedals | CrankBrothers EggBeater 1 | N/A | N/A | N/A | N/A |
| Cranks | FSA Afterburner 386 BB30 42/27t | Cannondale Si Hollowgram SL BB30 for SRAM XX 42/28t | FSA K-Force Light 386 BB30 42/27t | FSA SL-K 386 BB30 42/27t | FSA Afterburner 386 BB30 42/27t |
| Bottom Bracket | BB30 included crank | Cannondale Si BB30 Ceramic | BB30 Ceramic included crank | BB30 included crank | BB30 included crank |
| Chain | Shimano HG74 10sp | KMC X10SL CP | Shimano M980 10sp | KMC X10SL CP | Shimano HG74 10sp |
| Rear Cogs | Shimano SLX 11-36t 10sp | SRAM XX 11-36t 10sp | Shimano XTR 11-36t 10sp | Shimano XT 11-36t 10sp | Shimano XT 11-36t 10sp |
| Front Derailleur | Shimano SLX | SRAM XX | Shimano XTR | SRAM X-0 | Shimano XT |
| Rear Derailleur | Shimano XT | SRAM XX | Shimano XTR | SRAM X-0 | Shimano XT |
| Shifters | Shimano SLX display | SRAM XX MatchMaker | Shimano XTR | SRAM X-0 | Shimano XT display |
| Handlebar | Cannondale C2 "zero rise" | FSA K-Force Light Nano flat | FSA SL-K flat | FSA SL-K flat | Cannondale C2 flat |
| Grips | Cannondale LE SuperLight II lock-on | Cannondale LE SuperLight II lock-on | Cannondale LE SuperLight II lock-on | Cannondale LE SuperLight II lock-on | Cannondale LE SuperLight II lock-on |
| Stem | Cannondale OPI adjustable stem/steerer 3D forged | Cannondale OPI adjustable stem/steerer 3D forged | Cannondale OPI adjustable stem/steerer 3D forged | Cannondale OPI adjustable stem/steerer 3D forged | Cannondale OPI adjustable stem/steerer 3D forged |
| Headset | Cannondale Si HeadShok | Cannondale Si HeadShok | Cannondale Si HeadShok | Cannondale Si HeadShok | Cannondale Si HeadShok |
| Brakes | Avid Elixir R | SRAM XX | Magura Marta SL Carbon | Avid Elixir X-0 Carbon | Avid Elixir R Carbon |
| Saddle | Cannondale Stage crmo rails | Fizik Antares 00 Carbon | Fizik Tundra2 kiium rails | Fizik Tundra2 manganese rails | Fizik Tundra2 manganese rails |
| Seatpost | Cannondale C2 31.6 mm 17 mm offset | Flash Carbon 27.2 mm 10 mm offset | Flash Carbon 27.2 mm 10 mm offset | Flash Carbon 27.2 mm 10 mm offset | Cannondale C2 27.2 mm 17 mm offset |
| Sizes | S, M, L, XL | S, M, L, XL | S, M, L, XL | S, M, L, XL | S, M, L, XL |
| Color 1 | Magnesium White (gloss) (WHT) | Cannondale Factory Racing Team (gloss) (REP) | Magnesium White (gloss) (WHT) | Magnesium White (gloss) (WHT) | Race Red (gloss) (RED) |
| Color 2 | Berserker Green (gloss) (GRN) | Berserker Green (gloss) (GRN) | Berserker Green (gloss) (GRN) | Berserker Green (gloss) (GRN) | Berserker Green (gloss) (GRN) |
| Extras | | | tubeless sealant, DT Swiss RWS Ti rear | tubeless sealant, DT Swiss RWS rear | tubeless sealant |

HARDTAIL MOUNTAIN | SPECIFICATIONS

| | <i>FLASH CARBON 4</i> | <i>FLASH CARBON 4 M</i> | <i>F1</i> | <i>F2</i> | <i>F3</i> |
|-------------------------|---|---|---|---|---|
| Code | IFS4S | IFS4Z | IFS1 | IFS2 | IFS3 |
| Frame | Flash BallisTec carbon SAVE, BB30 specific geometry and 1.5" HeadShok head tube | Flash BallisTec carbon SAVE, BB30 specific geometry and 1.5" HeadShok head tube | Flash alloy SAVE BB30 and 1.5" HeadShok head tube | Flash alloy SAVE BB30 and 1.5" HeadShok head tube | Flash alloy SAVE BB30 and 1.5" HeadShok head tube |
| Fork | Fatty OPI DLR80, disc-only | *Magura Durin Race 100 mm custom 1.5" alloy steerer | Lefty Speed alloy PBR and Solo Air OPI | Fatty OPI DLR80, disc-only | Fatty OPI DLR80, disc-only |
| Rear Shock | N/A | N/A | N/A | N/A | N/A |
| Rims | DT Swiss XCR 1.7 | DT Swiss XCR 1.7 | Mavic XM317 Disc | Mavic XM317 Disc | Mach1 Sub Zero Disc Xtra Lite |
| Hubs | DT Swiss XCR 1.7 | DT Swiss XCR 1.7 | Cannondale Lefty SL & SRAM X-9 | Shimano M525 | Shimano M475 |
| Spokes | DT Swiss XCR 1.7 | DT Swiss XCR 1.7 | DT Swiss Competition | DT Swiss Champion | DT Swiss Champion |
| Tires | Schwalbe Racing Ralph PaceStar 2.1" | Schwalbe Racing Ralph PaceStar 2.1" | Schwalbe Racing Ralph PaceStar 2.1" | Schwalbe Racing Ralph PaceStar 2.1" | Schwalbe Black Jack 2.1" |
| Pedals | CrankBrothers EggBeater 1 | CrankBrothers EggBeater 1 | N/A | Shimano M505 clipless | Wellgo flat alloy cage, clip and straps |
| Cranks | FSA Afterburner 386 BB30 42/27t | FSA Afterburner 386 BB30 42/27t | FSA Afterburner 386 BB30 42/27t | FSA Afterburner 386 BB30 42/27t | FSA Comet 386 BB30 42/27t |
| Bottom Bracket | BB30 included crank | BB30 included crank | BB30 included crank | BB30 included crank | BB30 included crank |
| Chain | KMC X10SL CP | KMC X10SL CP | KMC X10SL CP | Shimano HG74 10sp | KMC X10SL CP |
| Rear Cogs | Shimano SLX 11-36t 10sp | Shimano SLX 11-36t 10sp | Shimano SLX 11-36t 10sp | Shimano SLX 11-36t 10sp | Shimano SLX 11-36t 10sp |
| Front Derailleur | SRAM X-7 | SRAM X-7 | Shimano SLX | Shimano SLX | Shimano SLX |
| Rear Derailleur | SRAM X-9 carbon | SRAM X-9 carbon | SRAM X-9 carbon | Shimano XT | SRAM X-7 |
| Shifters | SRAM X-7 | SRAM X-7 | SRAM X-9 | Shimano SLX display | SRAM X-7 |
| Handlebar | Cannondale C2 flat | Cannondale C2 flat | Cannondale C2 "zero rise" | Cannondale C2 "zero rise" | Cannondale C3 flat |
| Grips | Cannondale D2 | Cannondale D2 | Cannondale LE SuperLight II lock-on | Cannondale LE SuperLight II lock-on | Cannondale D2 |
| Stem | Cannondale C2 HeadShok | Cannondale C2 1.5" | Cannondale OPI adjustable stem/steerer 3D forged | Cannondale C2 HeadShok | Cannondale C2 HeadShok |
| Headset | Cannondale Si HeadShok | Cane Creek 1.5" integrated | Cannondale Si HeadShok | Cannondale Si HeadShok | Cannondale Si HeadShok |
| Brakes | Avid Elixir 3 | Avid Elixir 3 | Avid Elixir R | Shimano M445 | Shimano M445 |
| Saddle | Cannondale Stage crmo rails | Cannondale Stage crmo rails | Cannondale Stage crmo rails | Cannondale Stage crmo rails | Cannondale Stage steel rails |
| Seatpost | Cannondale C2 27.2 mm 17 mm offset | Cannondale C2 27.2 mm 17 mm offset | Cannondale C2 27.2 mm 17 mm offset | Cannondale C2 27.2 mm 17 mm offset | Cannondale C2 27.2 mm 17 mm offset |
| Sizes | S, M, L, XL | S, M, L, XL | S, M, L, XL, J | S, M, L, XL, J | S, M, L, XL, J |
| Color 1 | Race Red (gloss) (RED) | Race Red (gloss) (RED) | Magnesium White (gloss) (WHT) | Race Red (gloss) (RED) | Magnesium White (gloss) (WHT) |
| Color 2 | Berserker Green (gloss) (GRN) | Berserker Green (gloss) (GRN) | N/A | Berserker Green (gloss) (GRN) | Berserker Green (gloss) (GRN) |
| Extras | | | | | |

| | <i>TRAIL SL HS33</i> | <i>TRAIL SL 1</i> | <i>TRAIL SL 2</i> | <i>TRAIL SL 3</i> | <i>TRAIL SL 4</i> |
|-------------------------|--|--|--|--|--|
| Code | IFSHS | IFE1 | IFE2 | IFE3 | IFE4 |
| Frame | Trail SL SAVE threaded BB, 1.5" HeadShok head tube and disc/canti compatibility" | Trail SL SAVE threaded BB and 1.5" head tube, disc only" | Trail SL SAVE threaded BB and 1.5" head tube, disc only" | Trail SL SAVE threaded BB and 1.5" head tube, disc only" | Trail SL SAVE threaded BB and 1.5" head tube, disc only" |
| Fork | Fatty OPI DLR80 and disc/canti compatibility | RockShox Recon Silver TK Solo Air 100 mm custom 1.5" alloy steerer | *custom RST Deuce Air 100 mm 1.5" alloy steerer | *custom RST Deuce Coil 100 mm 1.5" alloy steerer | *RST Omega TnL 100 mm lockout and 1"1/8 alloy steerer |
| Rear Shock | N/A | N/A | N/A | N/A | N/A |
| Rims | Mach1 Nitro Xplosive | Maddux DC 3.0 | Maddux DC 3.0 | Maddux DC 3.0 | Maddux DC 3.0 |
| Hubs | Shimano M475 | Shimano M525 | Shimano M475 | Formula | Formula |
| Spokes | DT Swiss Champion | CN stainless | CN stainless | CN stainless | CN stainless |
| Tires | Schwalbe Black Jack 2.1", wb" | Schwalbe Black Jack 2.1", wb" | Schwalbe Black Jack 2.1", wb" | Schwalbe Black Jack 2.1", wb" | Schwalbe Black Jack 2.1", wb" |
| Pedals | Wellgo flat alloy cage & toe clip | VP flat alloy cage & toe clip | VP flat alloy cage & toe clip | VP flat toe clip | VP flat toe clip |
| Cranks | FSA Comet Megaexo 44/32/22t | Shimano Deore 44/32/22t | Shimano M4308 Octalink 44/32/22t | Shimano M4308 Octalink 44/32/22t | FSA CK306 44/32/22t |
| Bottom Bracket | included crank | included crank | Shimano ES25 Octalink | Shimano ES25 Octalink | FSA square taper |
| Chain | Shimano HG74 10sp | Shimano HG53 9sp | Shimano HG53 9sp | Shimano HG53 9sp | Shimano HG53 9sp |
| Rear Cogs | Shimano SLX 11-36t 10sp | Shimano HG50 11-32t 9sp | Shimano HG50 11-32t 9sp | Sunrace 11-32t 9sp | Sunrace 11-32t 9sp |
| Front Derailleur | Shimano SLX | Shimano Deore | Shimano Deore | Shimano Alivio | Shimano Alivio |
| Rear Derailleur | Shimano SLX | Shimano XT | Shimano SLX | Shimano Deore Shadow | Shimano Deore |
| Shifters | Shimano SLX display | Shimano SLX display | Shimano SLX display | Shimano Deore display | Shimano Alivio display |
| Handlebar | Cannondale C3 flat | Cannondale C3 riser | Cannondale C3 riser | Cannondale C3 riser | Cannondale C3 riser |
| Grips | Cannondale D2 | Cannondale D2 | Cannondale D2 | Cannondale D2 | Cannondale D2 |
| Stem | Cannondale C2 HeadShok | Cannondale C4 1.5" | Cannondale C4 1.5" | Cannondale C4 1.5" | Cannondale C4 |
| Headset | Cannondale Si HeadShok external | Cane Creek 1.5" semi-integrated | Cane Creek 1.5" semi-integrated | Cane Creek 1.5" semi-integrated | Cane Creek 1"1/8 semi-integrated |
| Brakes | Magura HS33 hydraulic rim brakes | Hayes Stroker Ryde Comp | Shimano M445 | Shimano M445 | Tektro Draco |
| Saddle | Cannondale Stage steel rails | Cannondale Halo steel rails | Cannondale Halo steel rails | Cannondale Halo steel rails | Cannondale Halo steel rails |
| Seatpost | Cannondale C4 31.6 mm zero offset | Cannondale C4 31.6 mm zero offset | Cannondale C4 31.6 mm zero offset | Cannondale C4 31.6 mm zero offset | Cannondale C4 31.6 mm zero offset |
| Sizes | S, M, L, XL, J | S, M, L, XL, J | S, M, L, XL, J | S, M, L, XL, J | S, M, L, XL, J |
| Color 1 | Jet Black (gloss) (BLK) | Jet Black (gloss) (BLK) | Jet Black (gloss) (BLK) | Magnesium White (gloss) (WHT) | Race Red (gloss) (RED) |
| Color 2 | N/A | Magnesium White (gloss) (WHT) | Magnesium White (gloss) (WHT) | Jet Black (matte) (BBQ) | Magnesium White (gloss) (WHT) |
| Extras | | | | | |

HARDTAIL MOUNTAIN & ROAD | SPECIFICATIONS

| | <i>TRAIL SL 5</i> | <i>FLASH HIMOD 29'ER 1</i> | <i>FLASH CARBON 29'ER 3</i> | <i>TRAIL SL 29'ER 2</i> |
|-------------------------|--|--|--|--|
| Code | IFE5 | IFS291S | IFS293S | IFS292 |
| Frame | Trail SL SAVE threaded BB and 1.5" head tube, disc only" | Flash BallisTec HI-MOD SAVE 29'er, BB30 specific 1.5" HeadShok head tube | Flash BallisTec carbon SAVE 29'er, BB30 specific 1.5" HeadShok head tube | Trail SL SAVE 29'er threaded BB and 1.5" head tube, disc only" |
| Fork | *RST Gila Pro TnL 100 mm lockout and 1"1/8 steerer | Lefty Carbon 29'er XLR and Solo Air OPI | Lefty 29'er alloy PBR and Solo Air OPI | *custom RST Deuce Air 80 mm 1.5" alloy steerer |
| Rear Shock | N/A | N/A | N/A | N/A |
| Rims | Alexrims DC 4.5 | Stan's ZTR Arch 29'er | Sun EQ25 29'er | Maddux DC 3.0 29'er |
| Hubs | Formula | Cannondale Lefty SL & DT Swiss 240s | Cannondale Lefty SL & SRAM X-9 | Formula & Shimano M529 |
| Spokes | CN stainless | DT Aerospeed | DT Swiss Competition | CN stainless |
| Tires | Schwalbe Black Jack 2.1", wb" | Schwalbe Racing Ralph PaceStar 2.25" | Schwalbe Racing Ralph PaceStar 2.25" | *Kenda Small Block Eight 2.1", wb" |
| Pedals | VP flat toe clip | N/A | N/A | VP flat alloy cage & toe clip |
| Cranks | Suntour XCT V2 42/32/22t | Cannondale Si Hollowgram SL BB30 for SRAM XX 39/26t | FSA Comet 386 BB30 39/27t | Shimano M4308 Octalink 44/32/22t |
| Bottom Bracket | Tange square taper | Cannondale Si BB30 Ceramic | BB30 included crank | Shimano ES25 Octalink |
| Chain | Shimano HG50 8sp | KMC X10SL CP | KMC X10SL CP | Shimano HG53 9sp |
| Rear Cogs | Sunrace 12-32t 8sp | Shimano XT 11-36t 10sp | Shimano SLX 11-36t 10sp | Shimano HG61 12-36t 9sp |
| Front Derailleur | Shimano Altus M311 | SRAM X-9 | SRAM X-7 | Shimano Alivio |
| Rear Derailleur | Shimano Alivio | SRAM X-0 | SRAM X-9 carbon | Shimano Deore |
| Shifters | Shimano Alivio display | SRAM X-0 | SRAM X-7 | Shimano Deore display |
| Handlebar | Cannondale C3 riser | Truvativ Stylo World Cup flat | Cannondale C2 zero rise | Cannondale C3 riser |
| Grips | Cannondale D2 | Cannondale LE SuperLight II lock-on | Cannondale LE SuperLight II lock-on | Cannondale D2 lock-on |
| Stem | Cannondale C4 | Cannondale OPI adjustable stem/steerer 3D forged | Cannondale OPI adjustable stem/steerer 3D forged | Cannondale C4 1.5" |
| Headset | Cane Creek 1"1/8 semi-integrated | Cannondale Si HeadShok | Cannondale Si HeadShok | Cane Creek 1.5" semi-integrated |
| Brakes | Promax Orange mechanical | Avid Elixir X-0 Carbon | Avid Elixir CR | Shimano M445 |
| Saddle | Cannondale Halo steel rails | Fizik Tundra2 manganese rails | Fizik Tundra2 manganese rails | Cannondale Halo steel rails |
| Seatpost | Cannondale C4 31.6 mm zero offset | Flash Carbon 27.2 mm 10 mm offset | Cannondale C2 27.2 mm 17 mm offset | Cannondale C4 31.6 mm zero offset |
| Sizes | S, M, L, XL, J | M, L, X | M, L, X | M, L, X |
| Color 1 | Race Red (gloss) (RED) | Jet Black (matte) (BBQ) | Magnesium White (gloss) (WHT) | Jet Black (matte) (BBQ) |
| Color 2 | Jet Black (gloss) (BLK) | N/A | N/A | N/A |
| Extras | | DT Swiss RWS rear | | |

| | <i>SUPERSIX HI-MOD TEAM</i> | <i>SUPERSIX HI-MOD DI2</i> | <i>SUPERSIX HI-MOD DURA-ACE</i> | <i>SUPERSIX HI-MOD RED</i> | <i>SUPERSIX DURA ACE COMPACT</i> |
|-------------------------|---|---|---|---|--|
| Code | 1RSH0D | 1RSHD | 1RSHD | 1RS2C | 1RSS1C |
| Frame | SuperSix, Hi-Mod carbon, BB30 | SuperSix, Hi-Mod carbon, BB30 | SuperSix, Hi-Mod carbon, BB30 | SuperSix, Hi-Mod carbon, BB30 | SuperSix, full carbon, BB30 |
| Fork | SuperSix, Hi-Mod full carbon, 1-1/8" - 1.5" tapered steerer | SuperSix, Hi-Mod full carbon, 1-1/8" - 1.5" tapered steerer | SuperSix, Hi-Mod full carbon, 1-1/8" - 1.5" tapered steerer | SuperSix, Hi-Mod full carbon, 1-1/8" - 1.5" tapered steerer | SuperSix, full carbon, 1-1/8" - 1.5" tapered steerer, alloy dropouts |
| Rims | Mavic Cosmic Carbone SR | Mavic Ksyrium SR | Mavic Ksyrium SL, black | Mavic Ksyrium Elite | Mavic Ksyrium Elite |
| Hubs | Mavic Cosmic Carbone SR | Mavic Ksyrium SR | Mavic Ksyrium SL, black | Mavic Ksyrium Elite | Mavic Ksyrium Elite |
| Spokes | Mavic Cosmic Carbone SR | Mavic Ksyrium SR | Mavic Ksyrium SL, black | Mavic Ksyrium Elite | Mavic Ksyrium Elite |
| Pedals | N/A | N/A | N/A | N/A | N/A |
| Tires | Schwalbe Ultremo ZX, 700x23c | Schwalbe Ultremo ZX, 700x23c | Schwalbe Ultremo ZX, 700x23 c | Schwalbe Ultremo ZX, 700x23c | Schwalbe Durano S, 700x23c |
| Cranks | Cannondale Hollowgram SL BB30, Campagnolo rings, 39/53 | Cannondale Hollowgram SL BB30, 39/53, | Cannondale Hollowgram SL BB30, 39/53 | SRAM RED cannondale graphics, BB30, 34/50 | FSA SL-K Light Carbon BB30, 34/50 |
| Bottom Bracket | Cannondale BB30 ceramic bearings | Cannondale BB30 ceramic bearings | Cannondale BB30 ceramic bearings | SRAM RED, BB30 | FSA BB30 |
| Chain | Campagnolo Record 11 Speed | Shimano Dura Ace | Shimano Dura Ace 7900 | SRAM PC-1070 | Shimano Ultegra 6700 |
| Rear Cogs | Campagnolo Super Record, 11S, 12- 25 | Shimano Dura Ace 12-25 | Shimano Dura Ace 7900, 12-25 | SRAM PG-1070, 12-26 | Shimano Ultegra, 12-25 |
| Front Derailleur | Campagnolo Super Record, 11S, | Shimano Dura Ace DI2 | Shimano Dura Ace 7900 | SRAM RED | Shimano Dura Ace 7900, Clamp 34.9 mm |
| Rear Derailleur | Campagnolo Super Record, 11S | Shimano Dura Ace DI2 | Shimano Dura Ace 7900 | SRAM RED | Shimano Dura Ace 7900 |
| Shifters | Campagnolo Super Record QS Carbon ErgoShifters 11S | Shimano Dura Ace DI2 | Shimano Dura Ace 7900 | SRAM RED | Shimano Dura Ace 7900 |
| Handlebar | FSA K-Force Light Nano K Compact RK-185S, 31.8 mm | FSA K-Force Carbon Compact RK-220S, 31.8 mm | FSA K-Force Carbon Compact RK-220S, 31.8 mm | FSA SL-K Compact, 31.8 mm | FSA Wing Pro Compact, 31.8 mm |
| Stem | FSA OS-99 CSI (31.8 mm, 1 1/4") | FSA OS-99 CSI (31.8 mm, 1 1/4") | FSA OS-99 CSI (31.8 mm, 1 1/4") | FSA SLK (31.8 mm, 1 1/4") | FSA SLK (31.8 mm, 1 1/4") |
| Headset | Cannondale Super Six, 1 1/8"-1.5", Carbon Top Cap | Cannondale Super Six, 1 1/8"-1.5", Carbon Top Cap | Cannondale Super Six, 1 1/8"-1.5", Carbon Top Cap | Cannondale Super Six, 1 1/8"-1.5", Carbon Top Cap | Cannondale Super Six, 1 1/8"-1.5", Carbon Top Cap |
| Brakes | Campagnolo Super Record | Shimano Dura Ace | Shimano Dura Ace 7900 | SRAM RED | Shimano Dura Ace |
| Brake Levers | Campagnolo Super Record | Shimano Dura Ace | Shimano Dura Ace 7900 | SRAM RED | Shimano Dura Ace |
| Saddle | Fizik Antares with Carbon Rails | Fizik Antares CX Kium rails | Fizik Antares CX Kium rails | Fizik Antares Mg rails | Fizik Arione Mg rails |
| Seatpost | FSA K-Force Carbon SP-RK-160, 31.6 mm, 350 mm | FSA K-Force Carbon SP-RK-160, 31.6 mm, 350 mm | FSA K-Force Carbon SP-RK-160, 31.6 mm, 350 mm | FSA SLK Carbon SP-RK-260, 31.6 mm, 350 mm | FSA SLK Carbon SP-RK-260, 31.6 mm, 350 mm |
| Sizes | 48, 50, 52, 54, 56, 58, 60, 63 cm | 48, 50, 52, 54, 56, 58, 60 cm | 48, 50, 52, 54, 56, 58, 60, 63 cm | 48, 50, 52, 54, 56, 58, 60, 63 cm | 48, 50, 52, 54, 56, 58, 60, 63 cm |
| Extras | Compact Kit | DI2 Satellite shift for top of the bar, Compact Kit | Compact Kit | N/A | N/A |
| Color 1 | Team Replica (gloss) (LIQ) | Exposed Carbon (matte) (CRB) | Magnesium White (gloss) (WHT) | Magnesium White (gloss) (WHT) | Blue Tinted Clear Coat (gloss) (BLU) |
| Color 2 | | | Exposed Carbon (matte) (CRB) | Exposed Carbon (matte) (CRB) | |

ROAD | SPECIFICATIONS

| | SUPERSIX ULTEGRA COMPACT / TRIPLE | SUPERSIX 105 COMPACT / TRIPLE | CAAD10 DURA ACE COMPACT | CAAD10 ULTEGRA COMPACT | CAAD10 105 COMPACT / TRIPLE |
|-------------------------|--|--|---|---|---|
| Code | IRSS3C | IRSS5C | IRAX1C | IRAX3C | IRAX5C / IRAX5T |
| Frame | SuperSix, full carbon, BB30 | SuperSix, full carbon, BB30 | CAAD10, Smartformed 6069 Alloy, SAVE, BB30 | CAAD10, Smartformed 6069 Alloy, SAVE, BB30 | CAAD10, Smartformed 6069 Alloy, SAVE, BB30 |
| Fork | SuperSix, full carbon, 1-1/8" - 1.5" tapered steerer, alloy dropouts | SuperSix, full carbon, 1-1/8" - 1.5" tapered steerer, alloy dropouts | CAAD10, Full Carbon, 1-1/8" to 1-1/4" tapered steerer | CAAD10, Full Carbon, 1-1/8" to 1-1/4" tapered steerer | CAAD10, Full Carbon, 1-1/8" to 1-1/4" tapered steerer |
| Rims | Mavic Ksyrium Equipe | Mavic Aksium Race | Shimano RS80 | Mavic Aksium Race | Shimano RS10 |
| Hubs | Mavic Ksyrium Equipe | Mavic Aksium Race | Shimano RS80 | Mavic Aksium Race | Shimano RS10 |
| Spokes | Mavic Ksyrium Equipe | Mavic Aksium Race | Shimano RS80 | Mavic Aksium Race | Shimano RS10 |
| Pedals | N/A | N/A | N/A | N/A | N/A |
| Tires | Schwalbe Durano S, 700x23c | Schwalbe Lugano, folding, 700x23c | Schwalbe Durano S, 700x23c | Schwalbe Lugano, folding, 700x23c | Schwalbe Lugano, folding, 700x23c |
| Cranks | FSA SL-K Light Carbon BB30, 34/50 | FSA Gossamer Pro BB30, 34/50 | FSA SL-K Light Carbon BB30, 34/50 | FSA SL-K Light Carbon BB30, 34/50 | FSA Gossamer Pro BB30, 34/50 |
| Crank Option | FSA SL-K Light Carbon BB30, 30/39/52 | FSA Gossamer Pro BB30, 30/39/52 | | | FSA Gossamer Pro BB30, 30/39/52 |
| Bottom Bracket | FSA BB30 | FSA BB30 | FSA BB30 | FSA BB30 | FSA BB30 |
| Chain | Shimano Ultegra 6700 | Shimano 105 | Shimano Ultegra 6700 | Shimano Ultegra 6700 | Shimano 105 |
| Rear Cogs | Shimano Ultegra 6700, 12-25 | Shimano 105, 12-27 | Shimano Ultegra 6700, 12-25 | Shimano Ultegra 6700, 12-25 | Shimano 105, 12-27 |
| Front Derailleur | Shimano Ultegra 6700, Clamp 34.9 mm | Shimano 105, Clamp 34.9 mm | Shimano Ultegra 6700 braze-on | Shimano Ultegra 6700 braze-on | Shimano 105, Clamp 34.9 mm |
| Rear Derailleur | Shimano Ultegra 6700 | Shimano 105 | Shimano Dura Ace | Shimano Ultegra 6700 | Shimano 105 |
| Shifters | Shimano Ultegra 6700 | Shimano 105 | Shimano Dura Ace | Shimano Ultegra 6700 | Shimano 105 |
| Handlebar | Cannondale C2 Compact | Cannondale C2 Compact | Cannondale C2 Compact | Cannondale C3 Compact | Cannondale C3 Compact |
| Stem | Cannondale C2, 31.8 mm | Cannondale C2, 31.8 mm | Cannondale C2, 31.8 mm | Cannondale C3 | Cannondale C3, 31.8 mm |
| Headset | Cannondale Super Six, 1 1/4"-1.5" | Cannondale Super Six, 1 1/4"-1.5" | CAAD10, 1 1/4"-1 1/4", Carbon Top Cap | CAAD10, 1 1/4"-1 1/4" | CAAD10, 1 1/4"-1 1/4" |
| Brakes | Shimano Ultegra 6700 | Shimano 105 | Shimano Ultegra 6700 | Shimano Ultegra 6700 | Shimano 105 |
| Brake Levers | Shimano Ultegra 6700 | Shimano 105 | Shimano Dura Ace | Shimano Ultegra 6700 | Shimano 105 |
| Saddle | Fi'zi:k Arione Mg rails | Prologo Scratch Pro T2.0 | Fi'zi:k Arione Mg rails | Prologo Scratch Pro T2.0 | Prologo Kappa |
| Seatpost | Cannondale C2, UD Carbon, 31.6 mm, 300 mm | Cannondale C2, UD Carbon, 31.6 mm, 300 mm | Cannondale C2, UD Carbon, 27.2 mm, 300 mm | Cannondale C2, UD Carbon, 31.6 mm, 300 mm | Cannondale C3, Carbon wrap, 27.2 mm, 300 mm |
| Sizes | 48, 50, 52, 54, 56, 58, 60, 63 cm | 48, 50, 52, 54, 56, 58, 60, 63 cm | 48, 50, 52, 54, 56, 58, 60, 63 cm | 48, 50, 52, 54, 56, 58, 60, 63 cm | 48, 50, 52, 54, 56, 58, 60, 63 cm |
| Extras | N/A | N/A | N/A | N/A | N/A |
| Color 1 | Race Red (gloss) (RED) | Team Replica (gloss) (REP) | Black Anodized (matte) (BLK) | Magnesium White (gloss) (WHT) | Race Red (gloss) (RED) |
| Color 2 | Exposed Carbon (matte) (CRB) | Exposed Carbon (matte) (CRB) | Race Red (gloss) (RED) | Berzerker Green (gloss) (GRN) | Jet Black (gloss) (BLK) |

| | CAAD8 105 COMPACT | CAAD8 TIAGRA TRIPLE | CAAD8 SORA TRIPLE | SYNAPSE HI-MOD DURA ACE | SYNAPSE HI-MOD SRAM RED |
|-------------------------|---|---|---|---|---|
| Code | IRAB5C | IRAB6T | IRAB7T | IRCL1C | IRCL2C |
| Frame | CAAD8, Optimized 6061 Alloy, BB30 | CAAD8, Optimized 6061 Alloy | CAAD8, Optimized 6061 Alloy | Synapse, Hi-MOD carbon, SAVE, BB30 | Synapse, Hi-MOD carbon, SAVE, BB30 |
| Fork | Cannondale Ultra, Carbon Blades, 1-1/8" | Cannondale Ultra, Carbon Blades, 1-1/8" | Cannondale Ultra, Carbon Blades, 1-1/8" | Synapse, Hi-MOD full carbon, SAVE, 1-1/8" | Synapse, Hi-MOD full carbon, SAVE, 1-1/8" |
| Rims | Alex RC24 | Maddux DRX 4000 | Maddux DRX 4000 | Mavic Ksyrium SL, black | Mavic Ksyrium Elite |
| Hubs | Formula RB-51, RB-52 | Formula RB-51, RB-52 | Formula RB-51, RB-52 | Mavic Ksyrium SL, black | Mavic Ksyrium Elite |
| Spokes | Stainless Steel, Bladed | Stainless Steel | Stainless Steel | Mavic Ksyrium SL, black | Mavic Ksyrium Elite |
| Pedals | N/A | N/A | N/A | N/A | N/A |
| Tires | Schwalbe Lugano 700x23c | Schwalbe Lugano 700x23c | Schwalbe Lugano 700x23c | Schwalbe Ultremo ZX, 700x25c | Schwalbe Ultremo ZX, 700x25c |
| Cranks | FSA Gossamer BB30, 34/50 | FSA Omega MegaExo, 30/39/50 | FSA Vero 30/39/50 | Cannondale Hollowgram SL BB30, 34/50 | SRAM RED cannondale graphics, BB30, 34/50 |
| Bottom Bracket | FSA BB30 | FSA MegaExo | FSA | Cannondale BB30 ceramic bearings | SRAM RED, BB30 |
| Chain | Shimano 105 | KMC 9 speed | KMC 9 speed | Shimano Dura Ace | SRAM PC-1070 |
| Rear Cogs | Shimano 105 12-27T | SRAM PG-950 12-26T | SRAM PG-950 12-26T | Shimano Dura Ace 7900, 11-28 | SRAM PG-1070, 11-28 |
| Front Derailleur | Shimano 105, clamp 34.9 mm | Shimano Tiagra | Shimano Sora, clamp 34.9 mm | Shimano Dura Ace 7900 braze-on | SRAM RED, Braze On |
| Rear Derailleur | Shimano 105 | Shimano Tiagra Long Cage | Shimano Sora Long Cage | Shimano Dura Ace 7900 | SRAM RED |
| Shifters | Shimano 105 | Shimano Tiagra | Shimano Sora | Shimano Dura Ace 7900 | SRAM RED |
| Handlebar | Cannondale C3 Compact | Cannondale C4 Compact | Cannondale C4 Compact | FSA SL-K Compact, 31.8 mm | FSA Wing Pro Compact, 31.8 mm |
| Stem | Cannondale C3, 31.8 mm | Cannondale C4, 31.8 mm | Cannondale C4, 31.8 mm | FSA SLK (31.8 mm, 1 1/8") | FSA SLK (31.8 mm, 1 1/8") |
| Headset | CAAD8 Si, 1 1/4" | CAAD8 Si, 1 1/4" | CAAD8 Si, 1 1/4" | Synapse Carbon Si, 1 1/8" | Synapse Carbon Si, 1 1/8" |
| Brakes | Tektro RS80 | Cannondale C4 w/cartridge pads | Cannondale C4 w/cartridge pads | Shimano Dura Ace 7900 | SRAM RED |
| Brake Levers | Shimano 105 | Shimano Tiagra | Shimano Sora | Shimano Dura Ace 7900 | SRAM RED |
| Saddle | Cannondale Stage crmo Rails | Cannondale Stage Steel Rails | Cannondale Stage Steel Rails | Fi'zi:k Aliante Ga mma Kium rails | Fi'zi:k Aliante Delta Mg rails |
| Seatpost | Cannondale C3, Carbon wrap, 31.6 mm, 300 mm | Cannondale C4 | Cannondale C4, Alloy | Cannondale Synapse Aero | Cannondale Synapse Aero |
| Sizes | 48, 51, 54, 56, 58, 61 cm | 48, 51, 54, 56, 58, 61 cm | 48, 51, 54, 56, 58, 61 cm | 48, 51, 54, 56, 58, 61 cm | 48, 51, 54, 56, 58, 61 cm |
| Extras | | | | | |
| Color 1 | Magnesium White Race Red (gloss) (WHT) | Jet Black (matt) (BBQ) | Race Red white(gloss) (RED) | Exposed Carbon (matte) (CRB) | Magnesium White (gloss) (WHT) |
| Color 2 | | | | | Exposed Carbon (matte) (CRB) |

ROAD | SPECIFICATIONS

| | SYNAPSE HI-MOD ULTEGRA COMPACT / TRIPLE | SYNAPSE CARBON ULTEGRA COMPACT / TRIPLE | SYNAPSE CARBON 105 COMPACT / TRIPLE | SYNAPSE CARBON SRAM APEX | SLICE HI MOD ULTIMATE |
|-------------------------|--|--|--|------------------------------------|---|
| Code | IRCL3C/IRCL3T | IRCS3C/IRCS3T | IRCS5C/IRCS5T | IRCS6C | IRM2D |
| Frame | Synapse, HI-MOD carbon, SAVE, BB30 | Synapse, full carbon, SAVE, BB30 | Synapse, full carbon, SAVE, BB30 | Synapse, full carbon, SAVE, BB30 | Slice, HI-MOD carbon, SAVE, BB30 |
| Fork | Synapse, HI-MOD full carbon, SAVE, 1-1/8" | Synapse, full carbon, SAVE, 1-1/8" | Synapse, full carbon, SAVE, 1-1/8" | Synapse, full carbon, SAVE, 1-1/8" | Slice Aero, HI-MOD full carbon, 1-1/8" |
| Rims | Mavic Ksyrium Elite | DT Swiss R-1700 | Mavic Aksium Race | Shimano RS10 | Mavic Cosmic Carbon SL |
| Hubs | Mavic Ksyrium Elite | DT Swiss R-1700 | Mavic Aksium Race | Shimano RS10 | Mavic Cosmic Carbon SL |
| Spokes | Mavic Ksyrium Elite | DT Swiss R-1700 | Mavic Aksium Race | Shimano RS10 | Mavic Cosmic Carbon SL |
| Pedals | N/A | N/A | N/A | N/A | N/A |
| Tires | Schwalbe Ultremo ZX, 700x25c | Schwalbe Duramo 700x25C | Schwalbe Lugano, folding, 700x25C | Schwalbe Lugano, 700x25C | Schwalbe Ultremo ZX, 700x23c |
| Cranks | FSA SL-K Light Carbon BB30, 34/50 | FSA SL-K Light Carbon BB30, 34/50 | FSA Gossamer Pro BB30, 34/50 | FSA Gossamer BB30, 34/50 | Cannondale Hollowgram SL BB30, 39/53 w/ Aero Spider and SRAM TT rings |
| Crank Option | FSA SL-K Light Carbon BB30, 30/39/52 | FSA SL-K Light Carbon BB30, 30/39/52 | FSA Gossamer Pro BB30, 30/39/52 | N/A | N/A |
| Bottom Bracket | FSA BB30 | FSA BB30 | FSA BB30 | FSA BB30 | Cannondale BB30 |
| Chain | Shimano Ultegra 6700 | Shimano Ultegra 6700 | Shimano 105 | SRAM BX-10 | SRAM PC-1070 |
| Rear Cogs | Shimano Ultegra 6700, 11-28 | Shimano Ultegra 6700, 11-28 | Shimano 105, 11-28 | Sram Apex, 11-32 | SRAM PG-1070, 12-26 |
| Front Derailleur | Shimano Ultegra 6700 braze-on | Shimano Ultegra 6700 braze-on | Shimano 105 braze-on | Sram Apex braze-on | SRAM RED, braze-on |
| Rear Derailleur | Shimano Ultegra 6700 | Shimano Ultegra 6700 | Shimano 105 | Sram Apex | SRAM RED |
| Shifters | Shimano Ultegra 6700 | Shimano Ultegra 6700 | Shimano 105 | Sram Apex | SRAM 1090 R2C |
| Handlebar | FSA Wing Pro Compact, 31.8 mm | Cannondale C2 Compact | Cannondale C2 Compact | Cannondale C3 Compact | FSA Vision OS Carbon Base Bar Vision Vector Carbon Extensions |
| Stem | FSA SLK (31.8 mm, 1 1/8") | Cannondale C2, 31.8 mm | Cannondale C2, 31.8 mm | Cannondale C3, 31.8 mm | FSA SLK (31.8 mm, 1 1/8") |
| Headset | Synapse Carbon Si, 1 1/8" | Synapse Si, 1 1/8" | Synapse Si, 1 1/8" | Synapse Si, 1 1/8" | Slice, Carbon Si, 1 1/8" |
| Brakes | Shimano Ultegra 6700 | Shimano Ultegra 6700 | Shimano 105 | SRAM Apex | SRAM RED |
| Brake Levers | Shimano Ultegra 6700 | Shimano Ultegra 6700 | Shimano 105 | SRAM Apex | FSA BL Aero |
| Saddle | Fi'zi:k Aliante Delta Mg rails | Fi'zi:k Aliante Delta Mg rails | Prologo Kappa | Cannondale Stage crmo Rails | Fi'zi:k Arione TR12 Kium rails |
| Seatpost | Cannondale Synapse Aero | Cannondale Synapse Aero Carbon | Cannondale Synapse Aero Carbon | Cannondale Synapse Aero Carbon | Cannondale Slice Carbon Aero HI-MOD |
| Sizes | 48, 51, 54, 56, 58, 61 cm | 48, 51, 54, 56, 58, 61 cm | 48, 51, 54, 56, 58, 61 cm | 48, 51, 54, 56, 58, 61 cm | 51, 54, 56, 58, 60 cm |
| Extras | N/A | N/A | N/A | N/A | N/A |
| Color 1 | Magnesium White (gloss) (WHT) | Race Red (gloss) (RED) | Berzerker Green (gloss) (GRN) | Charcoal Grey (matte) (GRY) | Jet Black (matt) (BBQ) |
| Color 2 | Exposed Carbon (matte) (CRB) | Jet Black (gloss) (BLK) | Jet Black (gloss) (BLK) | N/A | Charcoal Grey (matte) (GRY) |

| | SLICE ULTEGRA | SLICE 105 | SUPERX SRAM RED | SUPERX ULTEGRA | CAADX ULTEGRA |
|-------------------------|--|--|--|--|--|
| Code | IRM3 | IRM5 | IXC0 | IXC3 | IXR3 |
| Frame | Slice, full carbon, SAVE, BB30 | Slice, full carbon, SAVE, BB30 | SuperX, BallisTec Hi-MOD full carbon, SAVE, BB30 | SuperX, BallisTec Hi-MOD full carbon, SAVE, BB30 | CAADX Cyclocross, Optimized 6061 Alloy, BB30 |
| Fork | Slice Aero, full carbon, 1-1/8" | Slice Aero, full carbon, 1-1/8" | SuperX, BallisTec Hi-MOD full carbon, 1-1/8" to 1-1/4" tapered steerer | SuperX, BallisTec Hi-MOD full carbon, 1-1/8" to 1-1/4" tapered steerer | Cannondale Ultra X, Carbon Blades, 1-1/8" |
| Rims | Mavic Cosmic Elite | Fulcrum Racing 7 | Mavic Ksyrium Elite | Mavic Aksium Race | Fulcrum Racing 7 CX |
| Hubs | Mavic Cosmic Elite | Fulcrum Racing 7 | Mavic Ksyrium Elite | Mavic Ksyrium Race | Fulcrum Racing 7 CX |
| Spokes | Mavic Cosmic Elite | Fulcrum Racing 7 | Mavic Ksyrium Elite | Mavic Aksium Race | Fulcrum Racing 7 CX |
| Pedals | N/A | N/A | N/A | N/A | N/A |
| Tires | Schwalbe Durano S, 700x23c | Schwalbe Lugano, folding, 700x23c | Schwalbe Racing Ralph, 700x35c | Schwalbe Sa mmy Slick 700x35C | Continental Cyclocross Speed, 700x35C |
| Cranks | Vision TriMax Carbon TT BB30, 39/53 | FSA Trimax Pro BB30, 38/52 | FSA SL-K Light Carbon BB30, 36/46 | Gossa mmer Pro BB30, 36/46 | FSA Gossamer Pro BB30, 36/46 |
| Bottom Bracket | FSA BB30 | FSA BB30 | FSA BB30 | FSA BB30 | FSA BB30 |
| Chain | Shimano Ultegra 6700 | Shimano 105 | KMC X10SL | Shimano Ultegra 6700 | Shimano Ultegra 6700 |
| Rear Cogs | Shimano Ultegra 6700, 12-25 | Shimano 105, 12-25 | SRAM PG-1070, 12-26 | Shimano Ultegra 6700, 12-25 | Shimano Ultegra 6700, 12-25 |
| Front Derailleur | Shimano Ultegra 6700 braze-on | Shimano 105 braze-on | SRAM RED, braze-on | Shimano Ultegra 6700 braze-on | Shimano Ultegra 6700, Clamp 34.9 mm |
| Rear Derailleur | Shimano Ultegra 6700 | Shimano 105 | SRAM RED | Shimano Ultegra 6700 | Shimano Ultegra 6700 |
| Shifters | Shimano Ultegra 6700 | Shimano Dura Ace bar-end | SRAM RED | Shimano Ultegra 6700 | Shimano Ultegra 6700 |
| Handlebar | FSA Vision OS Alloy Base Bar Vision Vector Carbon Extensions | Cannondale C3, 31.8 mm + Profile T2 Alloy bar-ends | FSA Energy | Cannondale C2 Compact | Cannondale C3 Compact |
| Stem | Cannondale C2, 31.8 mm | Cannondale C3, 31.8 mm | FSA SLK (31.8 mm, 1 1/8") | Cannondale C2, 31.8 mm | Cannondale C3, 31.8 mm |
| Headset | Slice, Si, 1 1/8" | Slice, Si, 1 1/8" | Cannondale SuperX, 1 1/4"-1 1/4" | Cannondale SuperX, 1 1/4"-1 1/4" | CAADX, Si, 1 1/8" |
| Brakes | Shimano Ultegra 6700 | Shimano 105 | FSA SLK | TRP EuroX | TRP EuroX |
| Brake Levers | FSA BL Aero | Cannondale C2 | SRAM RED | Shimano Ultegra 6700 | Shimano Ultegra 6700 |
| Saddle | Fi'zi:k Arione TR12, Mg Rails | Fi'zi:k Arione TR12, Mg Rails | Fi'zi:k Tundra 2, Mg Rails | Fi'zi:k Tundra 2, Mg Rails | Cannondale Stage crmo Rails |
| Seatpost | Cannondale Slice Carbon Aero | Cannondale Slice Carbon Aero | FSA SLK, 27.2 mm | Cannondale C2, UD Carbon, 27.2 mm, 300 mm | Cannondale C3, Alloy, 31.6 mm, 300 mm |
| Sizes | 51, 54, 56, 58, 60 cm | 51, 54, 56, 58, 60 cm | 44, 48, 52, 54, 56, 58 cm | 44, 48, 52, 54, 56, 58 cm | 44, 48, 51, 54, 56, 58, 61 cm |
| Extras | N/A | N/A | N/A | N/A | N/A |
| Color 1 | Magnesium White (gloss) (WHT) | Magnesium White (gloss) (WHT) | Berzerker Green (gloss) (GRN) | Berzerker Green (gloss) (GRN) | Race Red (gloss) (RED) |
| Color 2 | N/A | N/A | N/A | N/A | N/A |

ROAD / SPECIFICATIONS

| | <i>CAADX 105</i> | <i>CAADX TIAGRA</i> |
|-------------------------|--|---|
| Code | 1XR5C | 1XR6C |
| Frame | CAADX Cyclocross, Optimized 6061 Alloy, BB30 | CAADX Cyclocross, Optimized 6061 Alloy |
| Fork | Cannondale Ultra X, Carbon Blades, 1-1/8" | Cannondale Ultra X, Carbon Blades, 1-1/8" |
| Rims | Maddux DRX 6000 | Maddux DRX 6000 |
| Hubs | Formula RB-51, RB-52 | Formula RB-51, RB-52 |
| Spokes | Stainless Steel | Stainless Steel |
| Pedals | N/A | N/A |
| Tires | Continental Cyclocross Speed, 700x35C | Continental Cyclocross Speed, 700x35C |
| Cranks | FSA Gossamer BB30, 36/46 | FSA Omega Mega Exo, 36/46 |
| Bottom Bracket | FSA BB30 | FSA Mega Exo |
| Chain | Shimano 105 | Shimano HG-53 |
| Rear Cogs | Shimano 105, 12-25 | Shimano HG-50, 12-25 |
| Front Derailleur | Shimano 105, Clamp 34.9 mm | Shimano Tiagra, Clamp 34.9 mm |
| Rear Derailleur | Shimano 105 | Shimano Tiagra |
| Shifters | Shimano 105 | Shimano Tiagra |
| Handlebar | Cannondale C3 Compact | Cannondale C4 Compact |
| Stem | Cannondale C4, 31.8 mm | Cannondale C4, 31.8 mm |
| Headset | CAADX, Si, 1 1/8" | CAADX, Si, 1 1/8" |
| Brakes | Tektro CR720, black | Tektro CR520, silver |
| Brake Levers | Shimano 105 | Shimano Tiagra |
| Saddle | Cannondale Stage crmo Rails | Cannondale Stage crmo Rails |
| Seatpost | Cannondale C3, Alloy, 31.6 mm, 300 mm | Cannondale C3, Alloy, 31.6 mm, 300 mm |
| Sizes | 44, 48, 51, 54, 56, 58, 61 cm | 44, 48, 51, 54, 56, 58, 61 cm |
| Extras | N/A | N/A |
| Color 1 | Brushed Aluminum (RAW) | Jet Black (matte) BBQ |
| Color 2 | N/A | N/A |

RECREATION/URBAN

| | <i>BAD BOY V-BRAKE 26"</i> |
|-------------------------|---|
| Code | OBR |
| Frame | Bad Boy Si classic |
| Fork | Cannondale Fatty Si V-Brake |
| Rims | Cannondale C3 black 26" |
| Hubs | Formula/Shimano RM30 |
| Spokes/Nipples | stainless black/black |
| Pedals | MTB M-21 |
| Tires | Schwalbe Kojak Bad Boy Edition 559 x 50 |
| Crank | FSA Alphadrive alloy rings black 48/36/26 |
| Bottom Bracket | KMC Z51 black nano finish |
| Chain | Cartridge black |
| Rear Cogs | CS 66 black polish - 11-32 |
| Front Derailleur | Shimano FD-360 |
| Rear Derailleur | Shimano Alivio |
| Shifters | Shimano SL-M360 |
| Handlebar | Cannondale Urban flat black 31.8 |
| Stem | Cannondale C4 black |
| Headset | Cane Creek black/black chrome |
| Brakes | Tektro 855 -V-Brake |
| Brake Levers | Cannondale XL95 |
| Grips | Cannondale "Cityscape" black chrome rings |
| Saddle | Cannondale Stage |
| Seatpost/Clamp | Cannondale C4/Gorilla Park black chrome |
| Lights | no |
| Sizes | S, M, L, XL |
| Color | jet black/black reflective decals |

RECREATION/URBAN / SPECIFICATIONS

| | <i>BAD BOY ULTRA 8</i> | <i>BAD BOY ULTRA SOLO</i> | <i>BAD BOY ROHLOFF</i> | <i>HOOLIGAN 3</i> | <i>QUICK CX ULTIMATE</i> |
|-------------------------|--|---|--|--|--------------------------------------|
| Code | OB8S | OBSS | OB8R | OHL3 | OQR |
| Frame | Bad Boy Si Stealth Headshok | Bad Boy Si Stealth Headshock | Bad Boy Si classic Headshock Rohloff | Hooligan Si lite | Quick Full Carbon Si |
| Fork | Fork Fatty Si Solo | Cannondale Fatty Solo Ultra Si | Cannondale Fatty Si Ultra | Cannondale Fatty Si F Solo | Cannondale Quick Full Carbon Si |
| Rims | Cannondale C2 black | Cannondale C2 black 26" | Cannondale C2 black | Cannondale DC 3.0 | |
| Hubs | Shimano Deore/Shimano Alfine | Lefty/Shimano XT | Shimano XT/Rohloff Speedhub | Lefty/Sram I-Motion 3 Speed Disc black | Wheel Set DT Swiss R1900 |
| Spokes/Nipples | DT Swiss black/black | DT Swiss black/black | DT Swiss black/black | stainless black/black | FSA SLK light 50/34 Carbon BB30 |
| Pedals | Octopus | Octopus | Octopus | Octopus | Octopus |
| Tires | Schwalbe Kojak Bad Boy Edition 622 x 28 | Schwalbe Kojak Bad Boy Edition 559 x 35 | Schwalbe Kojak Bad Boy Edition 622 x 28 | Schwalbe Kojak 406 x 35 | Schwalbe CX Pro Folding |
| Crank | Truvativ Firex 1.1. 42T | TVV Fire X | Truvativ Stylo 1.1 42T | FSA Vero single speed 46T double bashguard red ano | FSA SLK light 50/34 Carbon BB30 |
| Bottom Bracket | Cartridge black | MegaExo | Truvative GigaXpipe | MC Z610HX black nano finish | KMC X9 superlight hole punched gold |
| Chain | KMC X9 black nano finish | KMC X9 black nano finish | KMC Z610HX black nano finish | Cartridge black | BB 30 |
| Rear Cogs | Shimano 18T | CSM 96 black polish - 11-32 | Rohloff 16T | Sram 16T black | Shimano XT 11-32 |
| Front Derailleur | No | Shimano SLX | No | No | Shimano FD-440 |
| Rear Derailleur | Shimano Alfine | Shimano SLX | Rohloff Speedhub black | Sram I-Motion 3 Speed Disc black | Shimano XTR Carbon |
| Shifters | Shimano Alfine | Shimano Deore | Rohloff Twister | Sram Twister | Shimano SL-R440 |
| Handlebar | Cannondale Urban flat handlebar black 31.8 | Cannondale Urban flat black 31.8 | Cannondale Urban flat handlebar black 31.8 | Cannondale C3 riserbar | FSA K-Force riserbar Carbon |
| Stem | Cannondale Headshok stealth | Cannondale Headshok stealth | Cannondale Headshok stealth | Cannondale C3 adjustable black | FSA OS-99 CSI Carbon |
| Headset | Headshok bearing | Headshok bearing | Headshok bearing | Cane creek black/red ano | Cane creek black/red ano |
| Brakes | Auriga Sub - Rohloff rotors | Auriga Sub - black rotors | Auriga Sub - Rohloff rotors | Avid BB5 Disc Brake | Cannondale TRP CX09 V-Brake |
| Brake Levers | Auriga Sub black | Auriga Sub black | Auriga Sub black | Cannondale XL95 | TRP ML930 |
| Grips | Cannondale "Cityscape" black chrome rings | Cannondale "Cityscape" black chrome rings | Cannondale "Cityscape" black chrome rings | Cannondale "Cityscape" red ano rings | Cannondale "Cityscape" red ano rings |
| Saddle | Fizik Pave incl. ICS black | Fizik Pave incl. ICS black | Fizik Pave incl. ICS black | Cannondale Stage | Fizik Aliante kyum rail |
| Seatpost/Clamp | Cannondale C3/Gorilla Park black chrome | Cannondale C3/Gorilla Park black chrome | Cannondale C3/Gorilla Park black chrome | Hooligan superlong/Gorilla Park black chrome | Cannondale Synapse/integrated carbon |
| Lights | ICS Bad Boy Edition | ICS Bad Boy Edition | ICS Bad Boy Edition | N/A | No |
| Sizes | S, M, L, XL | S, M, L, XL | S, M, L, XL | One Size | Men 48 cm, 52 cm, 56 cm, 60 cm |
| Color | jet black/black reflective decals | jet black/black reflective decals | jet black/black reflective decals | Pearl white/Red decals | carbon/silver decals |

| | <i>BAD BOY DISC 26"</i> | <i>BAD BOY 700</i> | <i>BAD BOY 3</i> | <i>BAD BOY 8</i> | <i>BAD BOY ULTRA</i> |
|-------------------------|---|---|---|--|--|
| Code | OBRD | OBRD7 | OBR3 | OBR8 | OBS |
| Frame | Bad Boy Si classic | Bad Boy Stealth Si | Bad Boy Si Stealth | Bad Boy Si Stealth | Bad Boy Si Stealth Headshock |
| Fork | Cannondale Fatty Si disc | Cannondale Fatty Si disc | Cannondale Fatty Si Solo | Cannondale Fatty Si Solo | Cannondale Fatty Ultra Si |
| Rims | Cannondale C2 black 26" | Cannondale C2 black | Cannondale C2 black | Cannondale C2 black | Cannondale C2 black |
| Hubs | Formula DC20/Shimano Deore | Shimano Deore/Shimano Deore | Lefty/Sram I-Motion 3 Speed Disc black | Lefty/Shimano Alfine | Shimano Deore/Shimano XT |
| Spokes/Nipples | stainless black/black | DT Swiss black/black | DT Swiss black/black | DT Swiss black/black | DT Swiss black/black |
| Pedals | MTB-M21 | Octopus | Octopus | Octopus | Octopus |
| Tires | Schwalbe Kojak Bad Boy Edition 559 x 35 | Schwalbe Kojak Bad Boy Edition 622 x 28 | Schwalbe Kojak Bad Boy Edition 622 x 28 | Schwalbe Kojak Bad Boy Edition 622 x 28 | Schwalbe Kojak Bad Boy Edition 622 x 28 |
| Crank | FSA Alphadrive alloy rings black 48/36/26 | TVV Fire | Fire X | Truvativ Firex 1.1. 42 | TVV Fire X |
| Bottom Bracket | KMC X9 black nano finish | KMC X9 black nano finish | KMC X9 black nano finish | MegaExo | MegaExo |
| Chain | Cartridge black | MegaExo | Cartridge black | Cartridge black | KMC X9 black nano finish |
| Rear Cogs | CSM 96 black polish - 11-32 | CSM 96 black polish - 11-32 | Sram 17T | Shimano 18T | CSM 96 black polish - 11-32 |
| Front Derailleur | Shimano Deore new | Shimano SLX | No | No | Shimano SLX |
| Rear Derailleur | Shimano Deore new | Shimano SLX | Sram I-Motion 3 Speed Disc black | Shimano Alfine | Shimano SLX |
| Shifters | Shimano Deore new | Shimano Deore | Sram Twister | Shimano Alfine | Shimano Deore |
| Handlebar | Cannondale Urban flat black 31.8 | Cannondale Urban flat black 31.8 | Cannondale Urban riserbar black chrome 31.8 | Cannondale Urban flat handlebar black 31.8 | Cannondale Urban flat handlebar black 31.8 |
| Stem | Cannondale C4 black | Cannondale C3 black | Cannondale C3 black chrome | Cannondale C3 black | Cannondale Headshok stealth |
| Headset | Cane Creek black/black chrome | Cane Creek black/black chrome | Cane Creek black/black chrome | Cane Creek black/black chrome | Headshok bearing |
| Brakes | Auriga Sub - black rotors | Auriga Sub - black rotors | Auriga Sub - black rotors | Auriga Sub - black rotors | Auriga Sub - black rotors |
| Brake Levers | Auriga Sub | Auriga Sub black | Auriga Sub black | Auriga Sub black | Auriga Sub black |
| Grips | Cannondale "Cityscape" black chrome rings | Cannondale "Cityscape" black chrome rings | Cannondale "Cityscape" black chrome rings | Cannondale "Cityscape" black chrome rings | Cannondale "Cityscape" black chrome rings |
| Saddle | Cannondale Stage | Fizik Pave incl. ICS black | Fizik Pave incl. ICS black | Fizik Pave incl. ICS black | Fizik Pave incl. ICS black |
| Seatpost/Clamp | Cannondale C4/Gorilla Park black chrome | Cannondale C3/Gorilla Park black chrome | Cannondale C3/Gorilla Park black chrome | Cannondale C3/Gorilla Park black chrome | Cannondale C3/Gorilla Park black chrome |
| Lights | no | ICS Bad Boy Edition | ICS Bad Boy Edition | ICS Bad Boy Edition | ICS Bad Boy Edition |
| Sizes | S, M, L, XL | S, M, L, XL | S, M, L, XL | S, M, L, XL | S, M, L, XL |
| Color | jet black/black reflective decals | jet black/black reflective decals | jet black/black reflective decals | jet black/black reflective decals | jet black/black reflective decals |

| | <i>QUICK CX</i> | <i>QUICK CX MIXTE</i> | <i>QUICK CX 700</i> | <i>QUICK 8 / QUICK 8 MIXTE</i> | <i>QUICK ULTRA / ULTRA MIXTE</i> |
|-------------------------|--|--|--|--|--|
| Code | OQR | OQRM | OQR7 | OQC8 | OQS |
| Frame | Quick CX Si | Quick CX Si | Quick CX Si | Quick CX Si | Quick CX Si Headshock |
| Fork | Cannondale Fatty Si / Dual Brake | Cannondale Fatty Si | Cannondale Fatty Si / Dual Brake | Cannondale Fatty Si | Cannondale Fatty Si Ultra |
| Rims | Cannondale TC05 | Cannondale DC03 | Cannondale TC05 | Cannondale DC03 | Cannondale DC03 |
| Hubs | Formula/Shimano RM30 | Shimano Deore/Shimano Nexus Inter-8 | Shimano Deore/Shimano Deore | Shimano Deore/Shimano Nexus Inter-8 | Shimano Deore/Shimano Deore |
| Spokes/Nipples | stainless black/red ano | DT Swiss silver/black | stainless black/red ano | DT Swiss silver/black | DT Swiss black/red ano |
| Pedals | MTB M-21 | MTB M-21 | MTB M-21 | MTB M-21 | Trekking WPD M17C single side click |
| Tires | Schwalbe CX Comp Cannondale edition 622 x 35 | Schwalbe CX Comp Cannondale edition 622 x 35 | Schwalbe CX Comp Cannondale edition 622 x 35 | Schwalbe CX Comp Cannondale edition 622 x 35 | Schwalbe CX Comp Cannondale edition 622 x 35 |
| Crank | FSA Alphadrive alloy rings black 48/36/26 | Truvative FiveD 1.0 | FSA Gossamer Pro 46/36 | Truvative FiveD 1.0 | FS Gossa mmer Pro 46/3 |
| Bottom Bracket | MegaExo | Cartridge black | KMC X9 silver finish | Cartridge black | MegaExo |
| Chain | MC Z51 silver finish | KMC Z610HX silver antirust | MegaExo | KMC Z610HX silver antirust | Shimano HG 53 |
| Rear Cogs | Cartridge black | Shimano 18T | Shimano HG50 11-32 | Shimano 18T | Shimano HG50 11-32 |
| Front Derailleur | CSG 66 black polish - 11-32 | No | Shimano FD-440 | No | Shimano FD-440 |
| Rear Derailleur | Shimano FD-360 | Shimano Nexus Inter-8 | Shimano SLX | Shimano Nexus Inter-8 | Shimano XT |
| Shifters | Shimano Alivio | Shimano Nexus SL8-S20 | Shimano SLR-440 | Shimano Nexus SL8-S20 | Shimano SL-R440 |
| Handlebar | Shimano SL-M360 | Cannondale C3 riserbar | Cannondale C3 riserbar | Cannondale C3 riserbar | Cannondale C3 riserbar |
| Stem | Cannondale C3 riserbar | Cannondale C3 adjustable black | Cannondale C3 adjustable black | Cannondale C3 adjustable black | Cannondale C3 Headshok adjustable black |
| Headset | Cannondale C3 adjustable black | Cane creek black/silver | Cane creek black/red ano | Cane creek black/silver | HeadShok bearing |
| Brakes | Cane creek black/red ano | Avid Single Digit 5 | Cannondale TKB18 V-brake | Avid Single Digit 5 | Auriga Sub disc brake |
| Brake Levers | Tektro 855 -V-Brake | Avid FR5 | Cannondale XL95 | Avid FR5 | Auriga Sub |
| Grips | Cannondale XL95 | Cannondale "Cityscape" silver | Cannondale "Cityscape" red ano rings | Cannondale "Cityscape" silver | Cannondale "Cityscape" red ano rings |
| Saddle | Cannondale "Cityscape" red ano rings | Cannondale Stream | Cannondale Stream | Cannondale Stream | Cannondale Stream |
| Seatpost/Clamp | Cannondale Stream | Cannondale C3/chrome | Cannondale C3/Cannondale red ano | Cannondale C3/chrome | Cannondale C3/Cannondale red ano |
| Lights | Cannondale C3/Cannondale red ano | ICS Bad Boy Edition | No | No | No |
| Sizes | 48 cm, 52 cm, 56 cm, 60 cm | Men 48 cm, 52 cm, 56 cm, 60 cm | 48 cm, 52 cm, 56 cm, 60 cm | Men 48 cm, 52 cm, 56 cm, 60 cm | Men 48, 52, 56, 60 cm/ Mixte 48, 53, 55 cm |
| Color | alloy brushed/black decals | dark grey metallic/black decals | dark grey/silver decals | dark grey metallic/black decals | black/dark silver grey decals |

RECREATION/URBAN / SPECIFICATIONS

| | <i>TESORO 700 / TESORO 700 MIXTE</i> | <i>TESORO LIGHT / TESORO LIGHT MIXTE</i> | <i>TESORO ULTRA / TESORO ULTRA MIXTE</i> | <i>TESORO TRAVELER ROHLOFF</i> | <i>TESORO TRAVELER ULTRA</i> |
|-------------------------|---|--|---|---|---|
| Code | OTK7 / OTK7M | OTKL / OTKLM | OTKS / OTKSM | OTS1 | OTS2 |
| Frame | Tesoro Si | Tesoro Si | Tesoro Si HeadShock | Tesoro Traveler Rohloff HeadShock | Tesoro Traveler Touring SL HeadShock |
| Fork | Cannondale Si Fatty (dual break) | Cannondale Si Fatty (dual brake) | Cannondale Fatty Si Ultra | Cannondale Fatty Si Ultra | Cannondale Fatty Si Ultra |
| Rims | Cannondale TC05 | Cannondale TC05 | Cannondale TC05 | Cannondale DC03 | Mach 1 Nitro |
| Hubs | Shimano Hubdynamo DH2-N35 QR/Deore | Shimano Deore/Shimano Deore | Shimano hubdynamo Affine/Shimano Deore | Shimano hubdynamo Affine/Rohloff Speed hub | Shimano hubdynamo Affine/Shimano Deore |
| Spokes/Nipples | DT Swiss silver/black | DT Swiss silver/red | DT Swiss silver/red | DT Swiss silver/black | DT Swiss silver/black |
| Pedals | Trekking WPD-C32 | Trekking WPD-C32 | Trekking WPD-C32 | Trekking WPD M17C single side click | Trekking WPD M17C single side click |
| Tires | Schwalbe Suprme 622 x 37 | Schwalbe Suprme 622 x 37 | Schwalbe Suprme 622 x 37 | Schwalbe Suprme 622 x 37 | Schwalbe Marathon 559 x 50 |
| Crank | Cannondale TC05 | Shimano FC-M521 44/32/22 | Shimano FC-M521 44/32/22 | Truvativ Stylo 1.1 42T | Shimano FC-M521 |
| Bottom Bracket | KMC Z51 silver finish | Shimano Octalink | Shimano HG-53 Shimano Octalink | Truvativ GigaXpipe | Shimano HG-53 |
| Chain | Cartridge black | Shimano HG-53 | Shimano HG-53 | Z610HX silver antirust | Shimano Octalink |
| Rear Cogs | CSM66 11-32 | Shimano HG-50 | Shimano HG-50 | Rohloff | Shimano HG-50 |
| Derailleur (F/R) | Shimano Alivio/ Shimano Alivio | Shimano SLX/ Shimano SLX | Shimano SLX/ Shimano XT | No/ Rohloff Speed hub silver polish | Shimano XT/ Shimano XT |
| Shifters | Shimano Alivio | Shimano Deore | Shimano Deore | Rohloff Twister | Shimano Deore |
| Handlebar | Cannondale Trekking black | Cannondale Trekking black | Cannondale Trekking black | Cannondale C3 riserbar | Cannondale C3 riserbar |
| Stem | Cannondale UP C3 adjustable black | Cannondale UP C3 adjustable black | Cannondale C3 Headshok adjustable black | Cannondale C3 Headshok adjustable black | Cannondale C3 Headshok adjustable black |
| Headset | Cane Creek black | Cane Creek black/red ano | Cane Creek black/red ano | HeadShok bearing | HeadShok bearing |
| Brakes | Avid Single Digit 3 black | Avid Single Digit 5 black | Magura HS33 black | Auriga Sub - rotor for Rohloff | Magura HS33 black |
| Brake Levers | Avid FR5 black | Avid FR5 black | Magura HS33 black | Auriga Sub black | Magura HS33 black |
| Grips | Cannondale "Metro" silver ring | Cannondale "Metro" red ano ring | Cannondale "Metro" red ano ring | Cannondale "Metro" silver ring | Cannondale "Metro" silver ring |
| Saddle | Cannondale Metro | Cannondale Metro | Cannondale Metro | Cannondale Metro | Brooks B17 black |
| Seatpost/Clamp | Cannondale C3/chrome plated | Cannondale C3/red ano | Cannondale C3/red ano | Cannondale C3/chrome plated | Cannondale C3/chrome plated |
| Rack | Cannondale rack with plate black | Tubus Lightit | Tubus Lightit | Tubus Logo rear/Tubus Ergo front | Tubus Logo |
| Lights | Spanninga Micro FF LED front/Hermanns Google LED rear | Spanninga Luceo LED front/Hermanns Google LED rear | Spanninga Micro FF LED front/Hermanns Google LED rear | Spanninga Micro FF LED front/Hermanns Google LED rear | Spanninga Micro FF LED front/Hermanns Google LED rear |
| Chainguard | Hesling Esencia | Hesling Esencia | Hesling Esencia | N/A | N/A |
| Fenders | Cannondale Curana lite | Cannondale Curana lite silver | Cannondale Curana lite | Cannondale Curana lite | Cannondale Curana lite |
| Lock | Axa Defender black/red | N/A | Axa Defender black/red | N/A | N/A |
| Kickstand | Cannondale Atran Stylo Si | Cannondale Atran Stylo Si | Cannondale Atran Stylo Si | Cannondale Atran Stylo | N/A |
| Sizes | Men: 48, 52, 56, 60 cm Mixte: 48, 53, 55 cm | Men: 48, 52, 56, 60 cm Mixte: 48, 53, 55 cm | Men: 48, 52, 56, 60 cm Mixte: 48, 53, 55 cm | 48, 53, 57, 61 cm | S, M, L, XL |
| Colors | black tint clear/silver decals | black tint clear/silver decals | black tint clear/silver decals | jet black/dark silver grey decals | charcoal grey/dark silver grey decals |

| | <i>VINTAGE / VINTAGE MIXTE</i> | <i>VINTAGE 8 / VINTAGE 8 FEMININE</i> | <i>VINTAGE ULTRA / VINTAGE ULTRA MIXTE</i> | <i>VINTAGE 8 ULTRA / VINTAGE 8 ULTRA FEMININE</i> | <i>STREET SPORT NEXUS / STREET SPORT NEXUS FEMININE</i> |
|-------------------------|---|---|---|---|---|
| Code | OVR / OVRM | OVR8 / OVR8F | OVS / OVSM | OVS8 / OVS8F | 9SR5N |
| Frame | Vintage Si lite | Vintage Si lite | Vintage Si lite HeadShock | Vintage Si lite HeadShock | Street Lite Si |
| Fork | Cannondale Fatty Si | Cannondale Fatty Si | Cannondale Fatty Ultra Si | Cannondale Fatty Si Ultra | Suntour SF9-CR8 |
| Rims | Cannondale C2 black | Cannondale C2 black | Cannondale C2 black | Cannondale C2 black | Cannondale DC03 36 h |
| Hubs | Shimano hubdynamo Affine/Shimano Deore disc | Shimano hubdynamo Affine/Shimano Affine | Shimano hubdynamo Affine/Shimano XT | Shimano hubdynamo Affine/Shimano Affine | Shimano Hub Dynamo DH2-N35/Nexus 8-Speed |
| Spokes/Nipples | DT Swiss black/black | DT Swiss black/black | DT Swiss black/black | DT Swiss black/black | DT Champion 1, 8 mm black/silver |
| Pedals | Octopus | Octopus | Octopus | Octopus | Alloy/Kraton Anti Slip |
| Tires | Schwalbe Suprme 622 x 37 | Schwalbe Suprme 622 x 37 | Schwalbe Suprme 622 x 37 | Schwalbe Suprme 622 x 37 | Schwalbe Road Cruiser Light 622 x 37 |
| Crank | Shimano FC-M443 black 44/32/32 | Truvative FiveD 1.0 | Truvative FiveD 1.0 | Truvativ Firex 3.3 44/32/22 | Suntour Singelspeed |
| Bottom Bracket | KMC X9 black nano finish | Cartridge black | Cartridge black | Cartridge black | Shimano Nexus anti rust |
| Chain | Shimano Octalink | KMC 610HX black nano finish | KMH 610HX black nano finish | KMH 610HX black nano finish | Shimano 18T |
| Rear Cogs | CSM96 black polish 11-32 | Shimano 18T | Shimano 18T | Shimano 18T | Shimano Cartridge |
| Derailleur (F/R) | Shimano Deore/ Shimano Deore | No/ Shimano Affine 8-speed | No/ Shimano Affine 8-speed | No/ Shimano Affine 8-speed | N/A / N/A |
| Shifters | Shimano Deore | Shimano Affine | Shimano Affine | Shimano Affine | Shimano Nexus |
| Handlebar | Cannondale Metro black | Cannondale Metro black | Cannondale Metro black | Cannondale Metro black | Street Comfort |
| Stem | Cannondale UP C3 adjustable black | Cannondale UP C3 adjustable black | Cannondale C3 Headshok adjustable black | Cannondale C3 Headshok adjustable black | Cannondale Adjustable Ahead stem |
| Headset | Cane Creek black/black chrome | Cane Creek black/black chrome | HeadShok bearing | HeadShok bearing | 1 1/8 semi integrated |
| Brakes/Levers | Auriga Sub - black rotors/ Auriga Sub | Auriga Sub - black rotors/ Auriga Sub | Auriga Sub - black rotors/ Auriga Sub | Auriga Sub - black rotors/ Auriga Sub | Shimano Rollerbrakes/ Ergonomic |
| Grips | Cannondale "Vintage" leather chrome rings | Cannondale "Vintage" leather chrome rings | Cannondale "Vintage" leather chrome rings | Cannondale "Vintage" leather chrome rings | Cannondale Metro Silver Rings |
| Saddle | Brooks 17 Cannondale edition | Brooks 17 Cannondale edition | Brooks 17 Cannondale edition | Brooks 17 Cannondale edition | Selle Royal Freccchia RVL |
| Seatpost/Clamp | Cannondale C3/chrome plated | Cannondale C3/chrome plated | Cannondale C3/chrome plated | Cannondale C3/chrome plated | Cannondale Alloy 31, 6/silver |
| Rack | Cannondale Si Rack | Cannondale Si Rack | Cannondale Si Rack | Cannondale Si Rack | Cannondale Alloy with Springclamp |
| Lights | Spanninga Micro FF LED front/Hermanns Google LED rear | Spanninga Micro FF LED front/Hermanns Google LED rear | Spanninga Micro FF LED front/Hermanns Google LED rear | Spanninga Micro FF LED front/Hermanns Google LED rear | B&M Lumotec Fly Senso/Herrmanns Googles Auto LED |
| Chainguard | Hesling Esencia | Cannondale Curana black | Cannondale Curana black | Hesling Esencia | Hesling Miranda |
| Fenders | Cannondale Curan lite black | Cannondale Curan lite black | Cannondale Curan lite black | Cannondale Curan lite black | Curana light |
| Lock | No | Axa Defender black/red | No | No | Axa Defender |
| Kickstand | Cannondale Atran Stylo | Cannondale Atran Stylo | Cannondale Atran Stylo | Cannondale Atran Stylo | Atran Stylo |
| Sizes | Men 48, 53, 57, 61 / Lady 44, 48, 52 | Men 48, 53, 57, 61/Lady 44, 48, 53 | Men 48, 53, 57, 61/Lady 44, 48, 53 cm | Men 48, 53, 57, 61/Lady 44, 48, 53 | 48, 53, 57, 61/44, 48, 53 |
| Colors | Jet Black | Jet Black | Jet Black | Jet Black | Black/Silver decals |

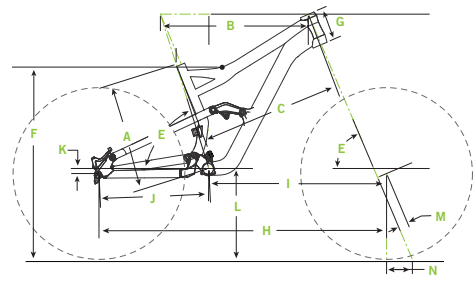
WOMEN'S / SPECIFICATIONS

| | <i>LEXI 1</i> | <i>LEXI 2</i> | <i>FLASH WOMEN'S</i> | <i>TRIAL SL WOMEN'S 2</i> | <i>TRIAL SL WOMEN'S 3</i> |
|-------------------------|---|---|---|---|---|
| Code | 1VLW1 | 1VLW2 | 1FW | 1FEW2 | 1FEW3 |
| Frame | Lexi, 120mm, SmartFormed Alloy, BB30, 1.5 Si headtube | Lexi, 120mm, SmartFormed Alloy, BB30, 1.5 Si headtube | Flash, SmartFormed Alloy, SAVE, BB30, 1.5 Si headtube | Trail SL Women's, double-butted mechanically formed 6061 alloy, SAVE, 1.5" Si head tube, disc/canti | Trail SL Women's, double-butted mechanically formed 6061 alloy, SAVE, 1.5" Si head tube, disc/canti |
| Fork | Lefty Ultra w/PBR, 120 mm | RockShox Recon Silver TK, 1.5" alloy steerer, 15 mm thru axle, 120 mm | Fatty DLR80, 80mm, OPI | RST Deuce Air, 100 mm, 1.5" Alloy Steerer, Lock-out, Rebound | RST Deuce Coil, 1.5" alloy steerer, lock-out, rebound adjust, softer spring, 100 mm |
| Rear Shock | RockShox Monarch RT3 | X-Fusion RL2 | N/A | N/A | Maddux DC 3.0 Double wall disc with eyelet, disc specific |
| Rims | DT Swiss 1.7 | Mach1 Sub Zero Disc | Mach1 Sub Zero Disc | Maddux DC 3.0 Double wall disc with eyelet, disc specific | Formula CDH20, 28H, 6 bolt Disc, SLfront, Formula CDH22, 28H, 6 bolt Disc, SL rear |
| Hubs | Formula Lefty SL 24 hole 6 bolt disc front, DT Swiss 280, 28 hole, 6 bolt disc rear | Formula DC91, 15 mm thru 28H 6 bolt Disc front, Shimano M475, 32H 6 bolt disc | Formula DC20, 32H 6 bolt disc front, Shimano M545, 32H 6 bolt disc rear | Shimano M475, 32H, 6 bolt disc front, Shimano M475, 32H, 6 bolt disc rear | Shimano M475, 32H, 6 bolt disc front, Shimano M475, 32H, 6 bolt disc rear |
| Spokes | DT Swiss Competition | DT Swiss Champion | DT Swiss Champion | Stainless Steel | Platform Resin body with steel cage |
| Pedals | N/A | N/A | N/A | Platform Resin body with steel cage | N/A |
| Tires | Kenda Slant 6, 26 x 2.1", 60 TPI, folding | Schwalbe Black Shark 26x2.25" | Schwalbe Black Shark 26x2.25" | Schwalbe Black Jack 26x2.1" | Schwalbe Black Jack 26x2.1" |
| Crank | FSA Comet 386 BB30, 39/27 | Shimano M430 Octalink, 44/32/22 | FSA Comet 386 BB30 39/27 | Shimano M430 44/32/22, Octalink | Shimano M430 44/32/22, Octalink |
| Bottom Bracket | FSA BB30 | Shimano Octalink | FSA BB30 | Shimano Octalink | Shimano Octalink |
| Chain | KMC X10SL, 10-speed | KMC X9, 9-speed | KMC X10SL 10-speed | Shimano HG53, 9 speed | KMC 9-speed |
| Rear Cogs | Shimano SLX, 11-36, 10-speed | SRAM PG-950 11-34 | Shimano SLX 11-36, 10-speed | SRAM PG-950 11-32 | SRAM PG-950 11-34 |
| Front Derailleur | SRAM X-7, 2x10 | Shimano Alivio | FSA BB30 | Shimano Deore | Sram X-5 |
| Rear Derailleur | SRAM X-9 Carbon, 10-speed | SRAM X-7, 9 speed | SRAM X-7, 2x10 | Shimano SLX, 9 speed | Sram X-5 |
| Shifters | SRAM X-7, 2x10 | SRAM X-5 | SRAM X-7, 2x10 | Shimano Deore, trigger | Sram X-5, Trigger |
| Handlebar | Cannondale C2, 2014 butted alloy, 20 mm riser, 640 mm | Cannondale C3, 6061 butted alloy, 20 mm riser, 640 mm | Cannondale C3 | Cannondale C3 620x20 mm riser | Cannondale C3 620x20 mm riser |
| Stem | Cannondale OPI | Cannondale C3 1.5" | Cannondale C2 HeadShok | Cannondale C4 1.5" | Cannondale C4 1.5" |
| Headset | Cannondale HeadShok Si | Tange custom 1.5" | Cannondale HeadShok Si | Tange custom 1.5" | Tange custom 1.5" |
| Brakes | Hayes Stroker Trail Carbon SL, 160/160 mm | Avid Elixir 3, 185/160 mm | Avid Elixir 3, 160/160 mm | Shimano M445 Hydraulic Disc, 160/160 mm | Tektro Draco SL Hydraulic Disc, 160/160 mm |
| Brake Levers | Hayes Stroker Trail Carbon | Avid Elixir 3 | Avid Elixir 3 | Shimano M445 | Tektro Draco SL |
| Saddle | Prologo Vertigo Max Dea, ProT 2.0 rails | Cannondale Women's XC, Cro-Mo rails | Cannondale Women's XC, Cro-Mo rails | Cannondale Women's XC Airflow | Cannondale Women's XC Airflow |
| Seatpost | Cannondale C2, 2 bolt | Cannondale C4 | Cannondale C2 | Cannondale C3, 2 bolt | Cannondale C3, 2 bolt |
| Sizes | P, S, M | P, S, M | P, S, M, T | P, S, M, T | P, S, M, T |
| Grips | Cannondale Dual Density, Lock-on Grip | Cannondale Dual Density, Lock-on Grip | Cannondale Dual Density, Lock-on Grip | Cannondale Dual Density | Cannondale Dual Density |
| Color (Code) | Magnesium White (Gloss) (WHT) | Soldier of Fortune (Matte) (GRN) | Jet Black (Gloss) (BLK) | Magnesium White (Gloss) (WHT) | Pearl White (Gloss) (WHT) |

| | <i>TRIAL SL WOMEN'S 5</i> | <i>SUPERSIX ULTEGRA WOMEN'S</i> | <i>SYNAPSE CARBON WOMEN'S</i> | <i>SYNAPSE TIAGRA WOMEN'S</i> |
|-------------------------|---|--|--|---|
| Code | 1FEW5 | 1RWCS1 | 1RWCS1 | 1RW6T |
| Frame | Trail SL Women's, double-butted mechanically formed 6061 alloy, SAVE, 1.5" Si head tube, disc/canti | SuperSix Women's, full carbon, BB30 | Synapse Women's, full carbon, SAVE, BB30 | Synapse Women's, Optimized 6061 Alloy, SAVE |
| Fork | RST Gila Pro TnL, Lock-out, softer spring, 100 mm | SuperSix, full carbon, 1-1/8" - 1.5" tapered steerer, alloy dropouts | Synapse, full carbon, SAVE, 1-1/8" | Synapse SAVE, carbon blades, 1-1/8" |
| Rims | Alex DC 4.5 Double wall with eyelet, disc specific | Mavic Ksyrium Equipe | Mavic Aksium Race | Maddux R 3.0 |
| Hubs | Formula DC20, 28H 6 bolt Disc front, Formula DC22, 28H 6 bolt Disc rear | Mavic Ksyrium Equipe | Mavic Aksium Race | Formula RB-51/52, 28H |
| Spokes | Stainless Steel | Mavic Ksyrium Equipe | Mavic Aksium Race | Stainless Steel |
| Pedals | Platform Resin body with steel cage | N/A | N/A | N/A |
| Tires | Schwalbe Black Jack 26x2.1" | Schwalbe Durano S, 700x23c | Schwalbe Lugano Foldable, 700x25c | Schwalbe Lugano, 700x25c |
| Crank | SR Suntour XTC V2, 44/32/22 | FSA SL-K Light Carbon BB30, 34/50 | FSA Gossamer BB30, 30/39/52 | Shimano Tiagra, 30/39/50 |
| Bottom Bracket | Tange 68 mm Cartridge | FSA BB30 | FSA BB30 | Shimano Tiagra |
| Chain | KMC 8-speed | Shimano Ultegra 6700 | Shimano 105 | Shimano HG-53 |
| Rear Cogs | Sunrace M66 12-32 | Shimano Ultegra 6700, 12-25 | Shimano 105, 12-27 | SRAM PG-950 12-26T |
| Front Derailleur | Shimano M311 | Shimano Ultegra 6700, Clamp 34.9 mm | Shimano 105 Triple, braze-on | Shimano Tiagra Triple, Clamp 34.9 mm |
| Rear Derailleur | Shimano Alivio | Shimano Ultegra 6700 | Shimano 105 Long Cage | Shimano Tiagra Long Cage |
| Shifters | Shimano Alivio, trigger | Shimano Ultegra 6700 | Shimano 105 with reach adjust | Shimano Tiagra |
| Handlebar | Cannondale C4 by Uno 620x30 mm riser | Cannondale C2 Bliss Compact | Cannondale C2 Women's Compact Wing | Cannondale C4 Women's Compact |
| Stem | Cannondale C4 by Uno 1-1/8" | Cannondale C2, 31.8 mm | Cannondale C3 Women's (31.8 mm, 11/8") | Cannondale C4 Women's (31.8 mm, 11/8") |
| Headset | Tange custom 1.5" to 1 1/8" reducer | Cannondale Super Six, 11/8-1.5" | Cannondale Synapse Si, 11/8" | Synapse Alloy, 11/8" |
| Brakes | Promax CD7.0 Mechanical disc, 160/160 mm | Shimano Ultegra 6700 | Shimano 105 | Cannondale C4, Long Reach |
| Brake Levers | Cannondale C4, 2 finger | Shimano Ultegra 6700 | Shimano 105 | Shimano Tiagra |
| Saddle | Cannondale Women's XC Airflow | Fizik Vesta Mg rails | Cannondale Women's XC Airflow | Cannondale Raven Women's |
| Seatpost | Cannondale C4, 2 bolt | Cannondale C2, UD Carbon, 31.6 mm, 300 mm | Cannondale Synapse Aero Carbon | Cannondale C2, Alloy, 27.2 mm, 300 mm |
| Sizes | P, S, M, T | 44, 48, 51, 54 cm | 44, 48, 51, 54 cm | 44, 48, 51, 54 cm |
| Grips | Cannondale Dual Density | | | |
| Color (Code) | Fine Silver (Matte) (SLV) | Magnesium White (gloss) (WHT) | Magnesium White w/blue (gloss) (WHT) | Magnesium White w/pink (gloss) (WHT) |

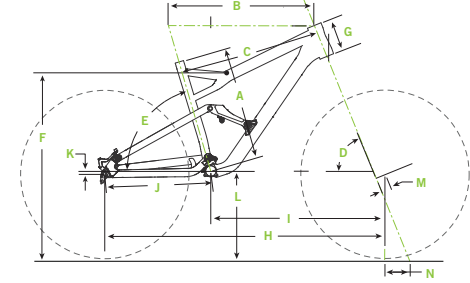
FULL SUSPENSION MOUNTAIN GEOMETRY

CLAYMORE



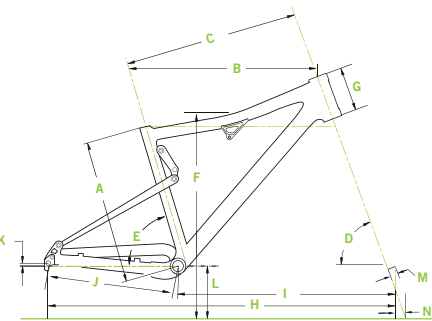
| SPECIFICATIONS | S | M | L | XL |
|-------------------------------------|-------|-------|-------|-------|
| A* Seat Tube Length (cm) | 39.5 | 43.0 | 47.0 | 51.0 |
| B Top Tube Horizontal (cm) | 54.9 | 58.2 | 61.1 | 64.3 |
| C Top Tube Actual (cm) | 52.9 | 55.6 | 58.2 | 61.3 |
| D Head Tube Angle Hi BB | 66.5° | 67.0° | ★ | ★ |
| D Head Tube Angle Low BB | 65.5° | 66.0° | ★ | ★ |
| E Seat Tube Angle Effective | 73.0° | 72.6° | 72.1° | 71.8° |
| F Standover Hi BB (cm) | 73.7 | 75.6 | 78.2 | 80.7 |
| F Standover Low BB (cm) | 72.6 | 74.5 | 77.1 | 79.6 |
| G Head Tube Length (cm) | 11.5 | 13.0 | 14.0 | 15.0 |
| H Wheelbase (cm) | 110.9 | 113.2 | 115.7 | 118.5 |
| I Front Center (cm) | 67.6 | 69.9 | 72.4 | 75.2 |
| J Chain Stay Length (cm) | 43.3 | ★ | ★ | ★ |
| K Bottom Bracket Drop Hi BB (cm) | 2.0 | ★ | ★ | ★ |
| K Bottom Bracket Drop Low BB (cm) | 0.8 | ★ | ★ | ★ |
| L Bottom Bracket Height Hi BB (cm) | 35.8 | ★ | ★ | ★ |
| L Bottom Bracket Height Low BB (cm) | 34.6 | ★ | ★ | ★ |
| M Fork Rake (cm) | 3.9 | ★ | ★ | ★ |
| N Trail (cm) | 10.5 | 10.2 | ★ | ★ |

JEKYLL



| SPECIFICATIONS | S | M | L | XL |
|------------------------------|-------|-------|-------|-------|
| A Seat Tube Length (cm) | 43.2 | 45.7 | 48.3 | 50.8 |
| B Top Tube Horizontal (cm) | 55.6 | 58.8 | 61.4 | 64.2 |
| C Top Tube Actual (cm) | 53.4 | 56.4 | 59.1 | 61.8 |
| D Head Tube Angle | 67.7° | 67.8° | 67.9° | 68.0° |
| E Seat Tube Angle Effective | 73.6° | ★ | ★ | 73.5° |
| F Standover Low BB (cm) | 75.2 | 75.3 | 76.4 | 77.7 |
| G Head Tube Length (cm) | 13.4 | ★ | ★ | 16.0 |
| H Wheelbase (cm) | 110.0 | 113.1 | 115.5 | 118.4 |
| I Front Center (cm) | 67.2 | 70.3 | 72.7 | 75.6 |
| J Chain Stay Length (cm) | 42.8 | ★ | ★ | ★ |
| K Bottom Bracket Drop (cm) | 1.2 | ★ | ★ | ★ |
| L Bottom Bracket Height (cm) | 35.0 | ★ | ★ | ★ |
| M Fork Rake (cm) | 4.0 | ★ | ★ | ★ |
| N Trail (cm) | 9.5 | ★ | 9.4 | 9.3 |

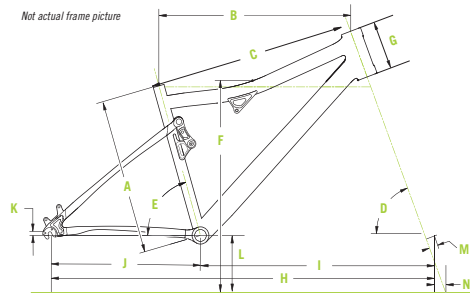
RZ ONE TWENTY



| SPECIFICATIONS | S | M | L | XL | P | S | M |
|------------------------------|-------|-------|-------|-------|-------|-------|-------|
| A Seat Tube Length (cm) | 43.2 | 45.7 | 48.3 | 50.9 | 40.6 | 43.2 | 45.7 |
| B Top Tube Horizontal (cm) | 56.0 | 58.7 | 61.3 | 64.1 | 53.0 | 56.0 | 57.5 |
| C Top Tube Actual (cm) | 53.5 | 56.2 | 59.1 | 61.9 | 50.8 | 53.5 | 55.0 |
| D Head Tube Angle | 69.0° | ★ | ★ | ★ | 68.5° | 69.0° | 69.0° |
| E Seat Tube Angle Effective | 73.5° | ★ | ★ | ★ | 73.5° | ★ | ★ |
| F Standover (cm) | 73.1 | 76.0 | 76.1 | 76.0 | 72.9 | 73.1 | 75.9 |
| G Head Tube Length (cm) | 13.4 | ★ | ★ | 16.0 | 13.4 | ★ | ★ |
| H Wheelbase (cm) | 107.6 | 110.3 | 113.0 | 116.0 | 105.2 | 107.6 | 109.1 |
| I Front Center (cm) | 65.2 | 67.8 | 70.5 | 73.5 | 62.8 | 65.2 | 66.6 |
| J Chain Stay Length (cm) | 42.5 | ★ | ★ | ★ | 42.5 | ★ | ★ |
| K Bottom Bracket Drop (cm) | 0.0 | ★ | ★ | ★ | 0.0 | ★ | ★ |
| L Bottom Bracket Height (cm) | 33.0 | ★ | ★ | ★ | 33.0 | ★ | ★ |
| M Fork Rake (cm) | 4.5 | ★ | ★ | ★ | 4.5 | ★ | ★ |
| N Trail (cm) | 7.8 | ★ | ★ | ★ | 8.2 | 7.8 | 7.8 |

LEXI

SCALPEL



| SPECIFICATIONS | S | M | L | XL |
|------------------------------|-------|-------|-------|-------|
| A Seat Tube Length (cm) | 40.5 | 43.5 | 48.2 | 53.2 |
| B Top Tube Horizontal (cm) | 55.5 | 58.5 | 61.5 | 64.0 |
| C Top Tube Actual (cm) | 53.4 | 56.2 | 59.5 | 62.7 |
| D Head Tube Angle | 69.3 | 69.6 | 69.8 | 70.0 |
| E Seat Tube Angle Effective | 74.0 | ★ | ★ | ★ |
| F Standover Hi (cm) | 75.9 | 75.7 | 75.4 | 75.4 |
| G Head Tube Length (cm) | 13.4 | ★ | ★ | ★ |
| H Wheelbase (cm) | 107.4 | 110.0 | 112.8 | 115.1 |
| I Front Center (cm) | 65.0 | 67.7 | 70.4 | 72.7 |
| J Chain Stay Length (cm) | 42.4 | ★ | ★ | ★ |
| K Bottom Bracket Drop (cm) | 1.2 | ★ | ★ | ★ |
| L Bottom Bracket Height (cm) | 31.8 | ★ | ★ | ★ |
| M Fork Rake (cm) | 4.5 | ★ | ★ | ★ |
| N Trail (cm) | 7.7 | 7.5 | 7.4 | 7.2 |

HARDTAIL MOUNTAIN / CYCLOCROSS GEOMETRY

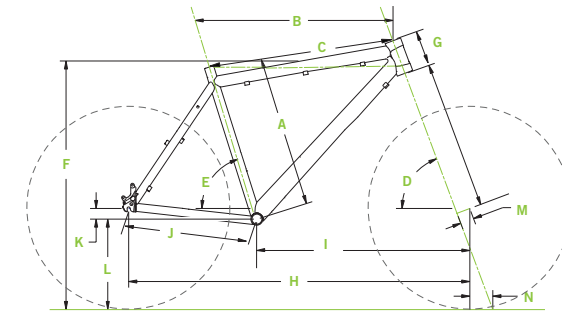
FLASH CARBON / FLASH

FLASH WOMEN'S

TRAIL SL

TRAIL

TRAIL SL WOMEN'S

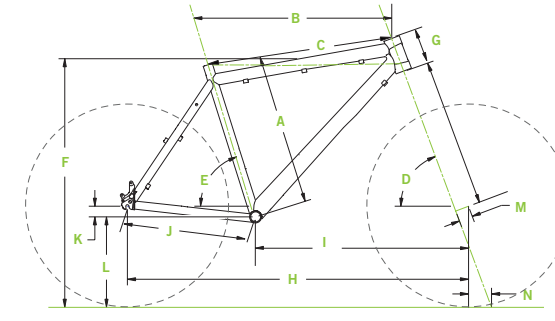


| SPECIFICATIONS | S | M | L | XL | P | S | M |
|------------------------------|-------|-------|-------|-------|-------|-------|-------|
| A Seat Tube Length (cm) | 38.0 | 43.3 | 47.5 | 52.5 | 35.0 | 38.0 | 41.5 |
| B Top Tube Horizontal (cm) | 55.0 | 58.5 | 61.4 | 62.9 | 52.5 | 55.0 | 57.0 |
| C Top Tube Actual (cm) | 53.8 | 56.3 | 58.9 | 60.8 | 52.9 | 53.8 | 55.1 |
| D Head Tube Angle | 70.0° | ★ | ★ | ★ | 70.0° | ★ | ★ |
| E Seat Tube Angle Effective | 73.5° | 73.5° | 73.0° | 72.5° | 75.0° | 73.5° | ★ |
| F Standover (cm) | 74.4 | 77.0 | 78.9 | 81.3 | 73.1 | 74.4 | 76.1 |
| G Head Tube Length (cm) | 13.4 | ★ | ★ | ★ | 13.4 | ★ | ★ |
| H Wheelbase (cm) | 104.9 | 108.4 | 110.8 | 111.7 | 103.8 | 104.9 | 106.9 |
| I Front Center (cm) | 62.7 | 66.2 | 68.6 | 69.5 | 61.6 | 62.7 | 64.7 |
| J Chain Stay Length (cm) | 42.4 | ★ | ★ | ★ | 42.4 | ★ | ★ |
| K Bottom Bracket Drop (cm) | 3.0 | ★ | ★ | ★ | 3.0 | ★ | ★ |
| L Bottom Bracket Height (cm) | 29.5 | ★ | ★ | ★ | 29.5 | ★ | ★ |
| M Fork Rake (cm) | 4.5 | ★ | ★ | ★ | 4.5 | ★ | ★ |
| N Trail (cm) | 7.0 | ★ | ★ | ★ | 7.0 | ★ | ★ |

| S | M | L | XL | J | S | M | L | XL | J | P | S | M |
|-------|-------|-------|-------|-------|-------|-------|-------|-------|-------|-------|-------|-------|
| 38.0 | 43.3 | 47.5 | 52.5 | 57.0 | 38.0 | 43.3 | 47.5 | 52.5 | 57.0 | 35.0 | 38.0 | 41.5 |
| 55.0 | 58.4 | 61.4 | 62.9 | 63.7 | 55.1 | 58.4 | 61.4 | 63.0 | 63.6 | 52.0 | 55.0 | 57.5 |
| 53.9 | 56.3 | 58.9 | 60.4 | 61.7 | 53.8 | 56.7 | 58.9 | 60.5 | 61.3 | 52.8 | 53.9 | 55.6 |
| 70.0° | ★ | ★ | ★ | ★ | 70.0° | ★ | ★ | ★ | ★ | 70.0° | H | H |
| 73.5° | 73.5° | 73.0° | 72.5° | 72.5° | 73.5° | 73.5° | 73.0° | 72.5° | 72.5° | 75.0° | H | H |
| 74.3 | 76.8 | 78.8 | 82.6 | 84.7 | 73.8 | 76.9 | 79.2 | 82.2 | 85.7 | 72.9 | 74.3 | 76.0 |
| 11.4 | ★ | ★ | 14.4 | 14.4 | 10.5 | 11.5 | 12.2 | 13.5 | 16.5 | 11.4 | H | H |
| 104.7 | 108.2 | 110.6 | 111.7 | 112.4 | 104.7 | 108.2 | 110.6 | 111.7 | 112.4 | 103.4 | 104.7 | 107.3 |
| 62.6 | 66.0 | 68.4 | 69.5 | 70.2 | 62.6 | 66.0 | 68.5 | 69.5 | 70.3 | 61.3 | 62.6 | 65.1 |
| 42.4 | ★ | ★ | ★ | ★ | 42.4 | ★ | ★ | ★ | ★ | 42.4 | H | H |
| 3.5 | ★ | ★ | ★ | ★ | 3.5 | ★ | ★ | ★ | ★ | 3.5 | H | H |
| 29.0 | ★ | ★ | ★ | ★ | 29.0 | ★ | ★ | ★ | ★ | 29.0 | H | H |
| 4.5 | ★ | ★ | ★ | ★ | 4.5 | ★ | ★ | ★ | ★ | 4.5 | H | H |
| 7.0 | ★ | ★ | ★ | ★ | 7.0 | ★ | ★ | ★ | ★ | 7.0 | H | H |

FLASH CARBON 29'ER / FLASH 29'ER

TRAIL 29'ER



| SPECIFICATIONS | M | L | XL | M | L | XL |
|------------------------------|-------|-------|-------|-------|-------|-------|
| A Seat Tube Length (cm) | 43.3 | 47.5 | 52.5 | 43.3 | 47.5 | 52.5 |
| B Top Tube Horizontal (cm) | 59.3 | 62.2 | 64.1 | 58.3 | 61.3 | 63.0 |
| C Top Tube Actual (cm) | 57.8 | 59.7 | 61.2 | 56.5 | 58.8 | 60.4 |
| D Head Tube Angle | 71.0° | 71.0° | 71.5° | 70.0° | ★ | ★ |
| E Seat Tube Angle Effective | 73.5° | 73.0° | 72.5° | 73.5° | 73.0° | 72.5° |
| F Standover (cm) | 80.9 | 82.9 | 85.3 | 80.0 | 82.0 | 84.4 |
| G Head Tube Length (cm) | 13.4 | 13.4 | 13.4 | 11.4 | ★ | ★ |
| H Wheelbase (cm) | 108.8 | 111.1 | 111.8 | 110.1 | 112.5 | 113.5 |
| I Front Center (cm) | 65.2 | 67.5 | 68.2 | 65.4 | 67.7 | 68.8 |
| J Chain Stay Length (cm) | 44.4 | ★ | ★ | 45.4 | ★ | ★ |
| K Bottom Bracket Drop (cm) | 6.5 | ★ | ★ | 6.0 | ★ | ★ |
| L Bottom Bracket Height (cm) | 30.5 | ★ | ★ | 31.0 | ★ | ★ |
| M Fork Rake (cm) | 4.5 | ★ | ★ | 4.5 | ★ | ★ |
| N Trail (cm) | 8.0 | 8.0 | 7.6 | 7.0 | ★ | ★ |

WWW.CANNONDALE.COM

Glauben Sie nicht alles, was geschrieben wird. Waagen zeigen nicht immer dasselbe an und Marketing-Abteilungen übertreiben gerne mal. Der beste Weg, die Gewichte von Fahrrädern miteinander zu vergleichen, ist, zu Ihrem Bike-Shop vor Ort zu gehen. Nehmen Sie sich zwei vergleichbar ausgestattete und konstruierte Räder und fragen Sie den Betreiber des Geschäfts nach einer Waage. Hängen Sie sie an die Waage und sehen Sie selbst, welches leichter ist.

KEINE GEWICHTSANGABEN?

Besuchen Sie uns unter [cannondale.com](http://www.cannondale.com), wenn Sie mehr über Cannondales Kultur und die 2010er Modelle erfahren möchten. Änderungen an technischen Daten ohne vorherige Ankündigung vorbehalten. Die neuesten technischen Daten finden Sie unter www.cannondale.com.

WARNHINWEISE!

Radfahren birgt Risiken schwerer Verletzungen und Lebensgefahr, die nicht vollständig vermieden werden können. Risiken lassen sich minimieren durch: Lesen und Befolgen sämtlicher Warnhinweise und Anleitungen im Handbuch sowie in den Nachträgen zum Handbuch, stets Tragen eines Helms, Training, schrittweises Lernen, kontrolliertes Fahren und Fahren im Rahmen der eigenen Fähigkeiten. Bei den Katalogtexten und -beschreibungen handelt es sich um Marketing-Material und nicht um Anleitungen und Richtlinien zum bestimmungsgemäßen Gebrauch!

Unter <http://www.cannondale.com/bikes/tech/safety> finden Sie Warnhinweise, technische Dokumentation und Sicherheitsrichtlinien.

Vorsicht: Reflektoren dienen nicht als Ersatz für eine erforderliche Beleuchtung. Es liegt in Ihrer Verantwortung, Ihr Rad mit der vorgeschriebenen Fahrradbeleuchtung auszustatten. Das Fahren bei Dämmerung, Dunkelheit oder bei schlechten Lichtverhältnissen ohne vorgeschriebene Beleuchtung am Fahrrad und ohne Reflektoren ist gefährlich und kann zu schweren oder gar tödlichen Verletzungen führen. Wenn Sie in der Dämmerung fahren, muss Ihr Rad über eine Beleuchtung verfügen, so dass Sie die Fahrbahn erkennen und Gefahren auf der Straße ausweichen können und Sie außerdem von anderen gesehen werden. Fahrer werden laut Straßenverkehrsordnung genauso wie andere Fahrzeuge behandelt. Das bedeutet, dass Sie bei Fahrten in der Dämmerung vorne am Rad ein weißes und hinten ein rotes Licht haben müssen. Ihr Fahrradhändler wird Ihnen eine batterie- oder akkubetriebene Lichtanlage empfehlen, die den Anforderungen entspricht. Cannondale empfiehlt dringend die Verwendung von Blitz- oder Stroboskoplichtern. Wir alle bei Cannondale nutzen Blinkleuchten, wenn wir bei Dunkelheit oder schlechten Lichtverhältnissen mit dem Rad unterwegs sind. Sie können Ihr Leben retten. **Bitte beachten Sie:** Trotz unserer vehementen Einwände können Mitglieder des Liquigas Profiradteams (und andere gesponserte Profiteams) im Rennen schon einmal ohne Helm gefahren sein. Wir halten dies für keine gute Idee, jedoch sind sie erfahrene Profifahrer und kennen die Risiken. Sie sind auch erwachsen, deshalb respektieren wir Ihre Entscheidung. Trotz der kompromisslosen Haltung aller Teams befürworten wir stark den Einsatz von Helmen bei jeder Fahrt. Das Tragen eines Helms ist vielleicht Ihr einziger, bestmöglicher Schutz vor schweren Sturzverletzungen, deshalb setzen Sie einen Helm auf!

Vorsicht: Freeriding ist von Natur aus gefährlich. Lesen Sie den Freeride-Warnhinweis unter <http://www.cannondale.com/bikes/tech/safety.html> Registered Trademarks of the Cannondale Bicycle Corporation: Cannondale®, the Cannondale "C" logo, Fatty®, Lefty®, Optimo®, Rize®, Scalpel®, Slice®, Synapse®.

Trademarks of the Cannondale Bicycle Corporation: BB30™, CAAD™ (Cannondale Advanced Aluminum Design), Caffeine™, Cannondale Factory Racing Team™, Capo™, CO2™, HeadShok™, HI-MOD™, Hollowgram™, Moto™, PowerPyramid™, Quick™, Q-Lab™, RZ™ One Forty, RZ™ One Twenty, Rush™, S.A.V.E.™, Si™, SuperSix™, System Integration™.

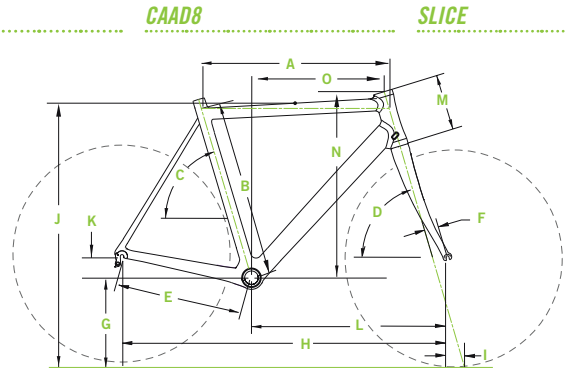
Liquigas and Monavie are registered trademarks and are used with their permission. FOX and FOX RLC are registered trademarks of FOX Factory Inc. and are used with their permission, #6581948. Solo Air and RockShok are registered trademarks of SRAM and are used with their permission. Cannondale® frames and HeadShok™ forks are covered by one or more of the following U.S. Patents:

4,808,147 5,020,819 5,201,537 5,249,818 5,308,099 5,320,374 5,449,155 5,494,302 5,509,674 5,634,653 5,702,092 5,924,714 6,007,056 6,145,862 6,155,541 6,896,006 7,140,628 7,217,037 other U.S. patents pending.

Call 0041.61.4879380 for more information. www.cannondale.com

ROAD / GEOMETRY

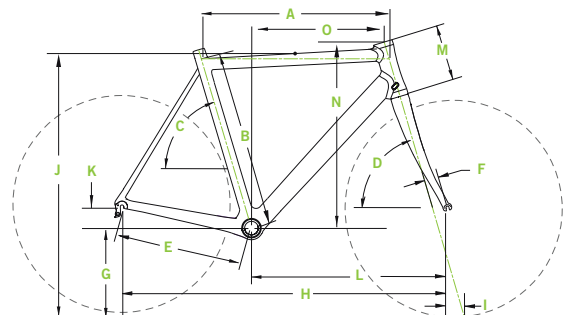
SUPERSIX / CAAD10



| SPECIFICATIONS | 48 | 50 | 52 | 54 | 56 | 58 | 60 | 63 | 48 | 51 | 54 | 56 | 58 | 61 | 51 | 54 | 56 | 58 | 61 | 48 | 51 | 54 | 56 |
|--------------------------------------|------|------|------|------|------|------|-------|-------|------|------|------|------|------|-------|-----------|-----------|-----------|-----------|-----------|------|------|------|------|
| A Horizontal Top Tube (cm) | 51.5 | 52.5 | 53.5 | 54.5 | 56.0 | 57.5 | 59.0 | 60.0 | 51 | 53 | 54.5 | 56 | 57.5 | 59.5 | 50.5 | 53.5 | 55 | 56.5 | 58 | 50.5 | 51.5 | 52.0 | 53.5 |
| B Measured Size* (cm) | 46 | 48 | 50 | 52 | 54 | 56 | 58 | 61 | 45 | 49 | 52 | 54 | 57 | 59 | 50 | 51.5 | 53.5 | 55.5 | 57.5 | 42 | 46 | 49 | 52 |
| C Seat Tube Angle (°) | 74.5 | 74.5 | 74 | 73.5 | 73.5 | 73 | 72.5 | 72 | 75 | 74.5 | 73.5 | 73.5 | 73 | 72.5 | *variable | *variable | *variable | *variable | *variable | 76 | 74.5 | 74.5 | 73.5 |
| D Head Tube Angle (°) | 72 | 72.5 | 73 | 73 | 73 | 73.5 | 73.5 | 73.5 | 72 | 72.5 | 73 | 73 | 73.5 | 73.5 | 71.5 | 71.5 | 72 | 72 | 72 | 70.5 | 72 | 72.5 | 73 |
| E Chain Stay Length (cm) | 40.5 | ★ | ★ | ★ | ★ | ★ | 40.8 | 40.8 | 40.8 | ★ | ★ | ★ | ★ | ★ | 40 | ★ | ★ | ★ | ★ | 40.5 | ★ | ★ | ★ |
| F Fork Rake (cm) | 4.5 | ★ | ★ | ★ | ★ | ★ | ★ | ★ | 5 | 5 | 4.5 | ★ | ★ | ★ | 4.5 | ★ | ★ | ★ | ★ | 4.5 | ★ | ★ | ★ |
| G Bottom Bracket (cm) | 26.5 | 26.5 | 26.5 | 26.8 | 26.8 | 27.0 | 27.0 | 27.0 | 26.5 | 26.5 | 26.8 | 26.8 | 27.0 | 27.0 | 26.5 | 26.5 | 26.5 | 26.5 | 26.5 | 26.5 | 26.5 | 26.5 | 26.8 |
| H Wheelbase (cm) | 95.9 | 96.6 | 96.8 | 97.5 | 99.2 | 99.6 | 100.1 | 101.3 | 96.6 | 97.9 | 97.8 | 99.3 | 99.9 | 101.3 | 96.3 | 98.5 | 99.7 | 101.3 | 102.6 | 96.3 | 95.9 | 96.1 | 96.3 |
| I Trail (cm) | 6.2 | 5.9 | 5.6 | 5.6 | 5.6 | 5.3 | 5.3 | 5.3 | 5.7 | 5.4 | 5.6 | 5.6 | 5.3 | 5.3 | 6.5 | 6.5 | 6.2 | 6.2 | 6.2 | 7.2 | 6.2 | 5.9 | 5.6 |
| J Standover @ Top Tube Midpoint (cm) | 74 | 75.3 | 76.5 | 78.5 | 80.1 | 82.2 | 83.8 | 86.6 | 74.6 | 76.8 | 79.2 | 80.8 | 82.9 | 85.7 | 74.9 | 76.4 | 78.3 | 80.2 | 82.2 | 71.3 | 74 | 76.3 | 78.9 |
| K Bottom Bracket Drop (cm) | 7.2 | 7.2 | 7.2 | 6.9 | 6.9 | 6.7 | 6.7 | 6.7 | 7.2 | 7.2 | 6.9 | 6.9 | 6.7 | 6.7 | 7.2 | ★ | ★ | ★ | ★ | 7.2 | ★ | ★ | ★ |
| L Front Center Distance (cm) | 56.5 | 57.2 | 57.4 | 58.0 | 59.7 | 60.1 | 61.0 | 61.4 | 56.9 | 58.2 | 58.0 | 59.5 | 60.0 | 61.5 | 56.5 | 59.6 | 60.7 | 62.3 | 63.9 | 57 | 56.5 | 56.7 | 56.9 |
| M Head Tube (cm) | 11 | 11.5 | 12.0 | 14.0 | 15.5 | 17.5 | 19.0 | 22.0 | 12.5 | 14.0 | 15.5 | 17.0 | 19.0 | 22.0 | 9 | 10.5 | 12.5 | 14.5 | 17 | 10.5 | 11 | 13 | 15 |
| N Stack (cm) | 51.7 | 52.3 | 52.9 | 54.6 | 56.0 | 57.9 | 59.3 | 62.2 | 52.9 | 54.5 | 56.0 | 57.4 | 59.3 | 62.2 | **49.4 | 50.9 | 52.9 | 54.8 | 57.2 | 50.5 | 51.5 | 53.5 | 55.6 |
| O Reach (cm) | 36.8 | 37.8 | 38.2 | 38.3 | 39.4 | 39.9 | 40.4 | 39.9 | 36.3 | 37.6 | 37.9 | 38.9 | 39.4 | 40.0 | **37.1 | 39.8 | 40.7 | 41.7 | 42.5 | 36.4 | 36.9 | 37.0 | 37.0 |

* The measured size is from the center of the bottom bracket to the top of the top tube, measured along the seat tube axis. • All sizes have a slightly sloping top tube.
 ** Stack is measured vertically from the center of the BB to the top of the head tube, reach is measured horizontally from the center of the BB to the top of the head tube.
 *** The Slice seat post has two positions for mounting the saddle. A full range of angles from 73° to 78° degrees is achievable depending on the rider's preference and/or the seat.
 **** Stack is measured vertically from the center of the BB to the top of the head tube, reach is measured horizontally from the center of the BB to the top of the head tube. If you ride a 55 road frame, you should choose a size 55 Slice frame. • All sizes have 700c wheels.

SYNAPSE CARBON ALLOY CARBON WOMEN'S ALLOY WOMEN'S SUPERX CAADX

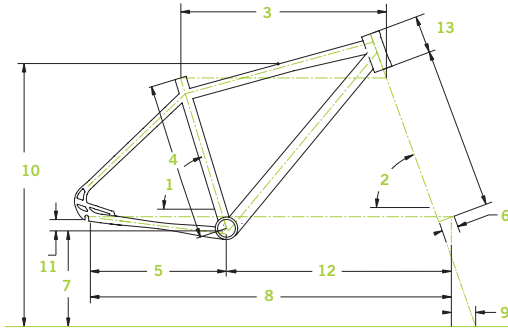


| SPECIFICATIONS | 48 | 51 | 54 | 56 | 58 | 61 | 48 | 51 | 54 | 56 | 58 | 61 | 44 | 48 | 51 | 54 | 44 | 48 | 51 | 54 | 44 | 48 | 51 | 54 |
|--------------------------------------|------|------|------|------|-------|-------|------|------|------|-------|-------|-------|------|------|------|------|-------|-------|-------|-------|-------|-------|-------|-------|
| A Horizontal Top Tube (cm) | 51 | 52.5 | 54 | 56 | 58 | 60 | 51 | 52.5 | 54 | 56 | 58 | 60 | 50 | 51 | 52.5 | 53.5 | 50 | 51 | 52 | 53 | 51 | 52 | 54 | 55 |
| B Measured Size* (cm) | 42 | 45 | 48 | 51 | 53 | 56 | 44 | 47 | 50 | 53 | 55 | 58 | 38 | 42 | 45 | 49 | 40 | 44 | 47 | 50 | 44 | 48 | 52 | 54 |
| C Seat Tube Angle (°) | 74.5 | 74 | 74 | 73.5 | 73 | 72.5 | 74.5 | 74 | 74 | 73.5 | 73 | 72.5 | 76 | 74.5 | 74 | 74 | 76 | 76 | 74 | 74 | 75 | 74 | 73.5 | 73.5 |
| D Head Tube Angle (°) | 71 | 72 | 72 | 72.5 | 73 | 73 | 70.5 | 72 | 72 | 72.5 | 73 | 73 | 70.5 | 71 | 72 | 72.5 | 70.5 | 70.5 | 72 | 72 | 69 | 69.5 | 71.5 | 72 |
| E Chain Stay (cm) | 41 | ★ | ★ | ★ | ★ | ★ | 41.5 | ★ | ★ | ★ | ★ | ★ | 41 | ★ | ★ | ★ | 41.5 | ★ | ★ | ★ | 43 | ★ | ★ | ★ |
| F Fork Rake (cm) | 5.0 | 5.0 | 4.5 | ★ | ★ | ★ | 5.0 | ★ | ★ | ★ | ★ | ★ | 5.0 | ★ | ★ | ★ | 5.0 | ★ | ★ | ★ | 4.5 | ★ | ★ | ★ |
| G Bottom Bracket (cm) | 26.5 | 26.5 | 26.8 | 26.8 | 27.0 | 27.0 | 26.5 | 26.5 | 26.8 | 26.8 | 27.0 | 27.0 | 26.5 | ★ | ★ | ★ | 28.1 | ★ | ★ | ★ | 28.3 | ★ | ★ | ★ |
| H Wheelbase (cm) | 97.0 | 97.5 | 98.7 | 99.9 | 101.1 | 102.6 | 97.9 | 98.0 | 99.8 | 100.9 | 102.1 | 103.6 | 97.2 | 97.0 | 97.5 | 98.2 | 101.7 | 101.4 | 101.1 | 101.7 | 101.6 | 102.3 | 103.3 | 105.4 |
| I Trail (cm) | 6.3 | 5.7 | 6.2 | 5.9 | 5.6 | 5.6 | 6.6 | 5.7 | 5.7 | 5.4 | 5.1 | 5.1 | 6.6 | 6.3 | 5.7 | 5.4 | 8.5 | 8.4 | 7.0 | 6.7 | 6.4 | 6.4 | 7.7 | 7.0 |
| J Standover @ Top Tube Midpoint (cm) | 72.1 | 74.4 | 77.1 | 79.1 | 81.1 | 83.4 | 73.2 | 75.6 | 78.1 | 80.2 | 82.2 | 84.5 | 69.8 | 72.1 | 74.4 | 77.0 | 74.9 | 77.0 | 80.4 | 82.2 | 83.6 | 85.5 | 75.5 | 77.7 |
| K Bottom Bracket Drop (cm) | ★ | 7.2 | 6.9 | 6.9 | 6.7 | 6.7 | 7.2 | 7.2 | 6.9 | 6.9 | 6.7 | 6.7 | 6.7 | ★ | ★ | ★ | 6.7 | ★ | ★ | ★ | 6.7 | ★ | ★ | ★ |
| L Front Center Distance (cm) | 57.1 | 57.6 | 58.7 | 59.9 | 61.0 | 62.5 | 57.5 | 57.6 | 59.3 | 60.4 | 61.5 | 63.0 | 57.3 | 57.1 | 57.6 | 58.3 | 59.6 | 59.3 | 59.0 | 59.6 | 60.5 | 62.6 | 59.5 | 59.0 |
| M Head Tube (cm) | 13 | 14.5 | 16.5 | 18 | 20 | 22 | 13 | 14.5 | 16.5 | 18 | 20 | 22 | 12.5 | 13 | 14.5 | 16 | 10 | 11 | 13.5 | 15 | 16 | 18 | 12 | 13.0 |
| N Stack (cm) | 53.0 | 54.8 | 56.6 | 58.2 | 60.1 | 62.0 | 52.9 | 54.8 | 56.4 | 58.0 | 59.9 | 61.9 | 52.4 | 53.0 | 54.8 | 56.4 | 51.8 | 52.9 | 56.0 | 57.6 | 58.8 | 60.7 | 53.8 | 55.1 |
| O Reach (cm) | 35.5 | 36.3 | 37.4 | 38.6 | 39.6 | 40.5 | 35.5 | 36.4 | 37.5 | 38.7 | 39.7 | 40.6 | 35.3 | 35.5 | 36.3 | 37.1 | 37.1 | 36.8 | 37.4 | 37.9 | 39.0 | 40.5 | 36.2 | 36.2 |

* The measured size is from the center of the bottom bracket to the top of the top tube, measured along the seat tube axis.
 ** Stack is measured vertically from the center of the BB to the top of the head tube, reach is measured horizontally from the center of the BB to the top of the head tube.
 *** The measured size is from the center of the bottom bracket to the top of the top tube, measured along the seat tube axis.
 **** The measured size is from the center of the bottom bracket to the top of the top tube, measured along the seat tube axis.
 ***** If you ride a size 55 cm Cannondale road bike, you should choose a 54 cm Cyclocross frame. This will give you a similar top tube length but more standover height.
 ***** Stack is measured vertically from the center of the BB to the top of the head tube, reach is measured horizontally from the center of the BB to the top of the head tube. All sizes have a slightly sloping top tube.

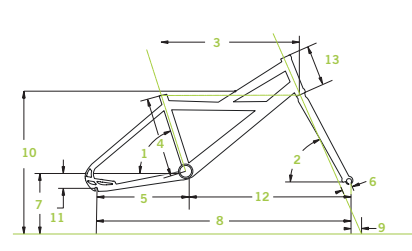
RECREATION / URBAN / GEOMETRY

BAD BOY RIGID HEADSHOK RIGID 26" HEADSHOK 26" HEADSHOK 700C

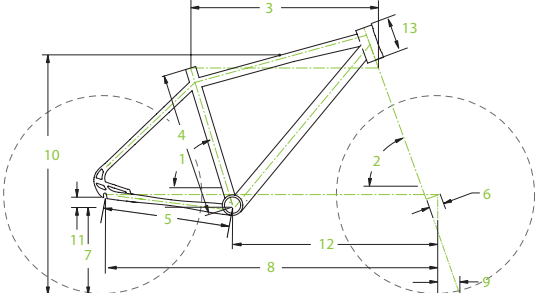


| SPECIFICATIONS | S | M | L | XL | S | M | L | XL | S | M | L | XL | S | M | L | XL | S | M | L | XL |
|-----------------------------------|-------|-------|-------|-------|-------|-------|-------|-------|-------|-------|-------|-------|-------|-------|-------|-------|-------|-------|-------|-------|
| 1 Seat Tube Angle | 74.5° | 73.5° | 73° | 72.5° | 74.5° | 73.5° | 73° | 72.5° | 74.5° | 73.5° | 73° | 72.5° | 74.5° | 73.5° | 73° | 72.5° | 74.5° | 73.5° | 73° | 72.5° |
| 2 Head Tube Angle | 70° | 71° | 71° | 71° | 70° | 71° | 71° | 71° | 70° | 71° | 71° | 71° | 70° | 71° | 71° | 71° | 70° | 70° | 70° | 70° |
| 3 Horizontal Top Tube Length (cm) | 52.1 | 54.6 | 57.3 | 59.7 | 55 | 57.5 | 60 | 62 | 55 | 57.5 | 60 | 62 | 55 | 57.5 | 60 | 62 | 55.5 | 59.0 | 61.0 | 61.5 |
| 4 Seat Tube Length (cm) | 39 | 46 | 51 | 56 | 39 | 46 | 51 | 56 | 39 | 46 | 51 | 56 | 39 | 46 | 51 | 56 | 39.0 | 44.0 | 49.0 | 53.0 |
| 5 Chainstay Length (cm) | 43.5 | 43.5 | 43.5 | 43.5 | 43.5 | 43.5 | 43.5 | 43.5 | 43.5 | 43.5 | 43.5 | 43.5 | 43.5 | 43.5 | 43.5 | 43.5 | 42.4 | 42.4 | 42.4 | 42.4 |
| 6 Fork Rake (cm) | 4.5 | 4.5 | 4.5 | 4.5 | 4.5 | 4.5 | 4.5 | 4.5 | 4.5 | 4.5 | 4.5 | 4.5 | 4.5 | 4.5 | 4.5 | 4.5 | 3.5 | 3.5 | 3.5 | 3.5 |
| 7 Bottom Bracket Height (cm) | 29.5 | 29.5 | 29.5 | 29.5 | 29.5 | 29.5 | 29.5 | 29.5 | 28.0 | 28.0 | 28.0 | 28.0 | 28.0 | 28.0 | 28.0 | 28.0 | 31.0 | 31.0 | 31.0 | 31.0 |
| 8 Wheelbase (cm) | 104.4 | 105.8 | 108.1 | 109.8 | 104.4 | 105.8 | 108.1 | 109.8 | 104.4 | 105.8 | 108.1 | 109.8 | 104.4 | 105.8 | 108.1 | 109.8 | 104.4 | 107.6 | 109.5 | 109.7 |
| 9 Fork Trail (cm) | 7.8 | 7.2 | 7.2 | 7.2 | 7.8 | 7.2 | 7.2 | 7.2 | 7.4 | 6.8 | 6.8 | 6.8 | 7.4 | 6.8 | 6.8 | 6.8 | 7.8 | 7.2 | 7.2 | 7.2 |
| 10 Standover Height (cm) | 73.9 | 78.2 | 81.4 | 84.5 | 77 | 80.4 | 82.6 | 84.7 | 72.4 | 76.7 | 80.0 | 83.0 | 75.5 | 78.9 | 81.1 | 83.2 | 76.5 | 79.0 | 81.0 | 83.0 |
| 11 Bottom Bracket Drop (cm) | 5.1 | 5.1 | 5.1 | 5.1 | 5.1 | 5.1 | 5.1 | 5.1 | 5.1 | 5.1 | 5.1 | 5.1 | 5.1 | 5.1 | 5.1 | 5.1 | 3.5 | 3.5 | 3.5 | 3.5 |
| 12 Front Center (cm) | 61.4 | 62.8 | 65.1 | 66.8 | 61.4 | 62.8 | 65.1 | 66.8 | 61.4 | 62.8 | 65.1 | 66.8 | 61.4 | 62.8 | 65.1 | 66.8 | 62.2 | 65.5 | 67.3 | 67.6 |
| 13 Head Tube Length (cm) | 13 | 15 | 17 | 19 | 11.4 | 11.4 | 11.4 | 11.4 | 13 | 15 | 17 | 19 | 11.4 | 11.4 | 11.4 | 11.4 | 11.4 | 11.4 | 11.4 | 11.4 |

HOOLIGAN QUICK CX CARBON ULTIMATE HEADSHOK MASCULINE HEADSHOK MIXTE RIGID MASCULINE RIGID MIXTE



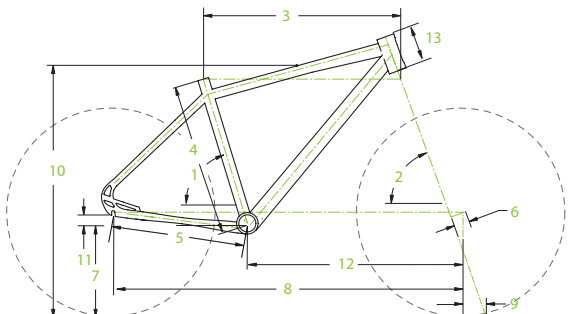
| SPECIFICATIONS | ONE |
|-----------------------------------|------|
| 1 Seat Tube Angle | 73° |
| 2 Head Tube Angle | 70° |
| 3 Horizontal Top Tube Length (cm) | 57.3 |
| 4 Seat Tube Length (cm) | 37 |
| 5 Chainstay Length (cm) | 40 |
| 6 Fork Rake (cm) | 4.5 |
| 7 Bottom Bracket Height (cm) | 27.5 |
| 8 Wheelbase (cm) | 106 |
| 9 Fork Trail (cm) | 2.6 |
| 10 Standover Height (cm) | 60 |
| 11 Bottom Bracket Drop (cm) | 6.6 |
| 12 Front Center (cm) | 66.2 |
| 13 Head Tube Length (cm) | 17.1 |



| SPECIFICATIONS | S | M | L | S | M | L | XL | S | M | L | S | M | L | XL | S | M | L |
|-------------------|-------|-----|-------|-------|-----|-----|-----|-----|-------|-----|-------|-----|-----|-----|-----|-------|-----|
| 1 Seat Tube Angle | 74.5° | 73° | 72.5° | 73.5° | 73° | 73° | 73° | 74° | 73.5° | 73° | 73.5° | 73° | 73° | 73° | 74° | 73.5° | 73° |
| 2 Head Tube Angle | 71.5° | 72° | 72. | | | | | | | | | | | | | | |

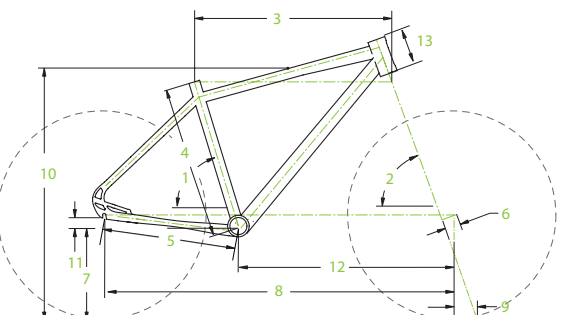
RECREATION / URBAN | GEOMETRY

TESORO MASCULINE HEADSHOK MIXTE HEADSHOK MASCULINE RIGID MIXTE RIGID STREET MASCULINE RIGID WOMEN'S RIGID



| SPECIFICATIONS | S | M | L | XL | S | M | L | S | M | L | XL | S | M | L | SPECIFICATIONS | 48 | 53 | 57 | 61 | 44 | 48 | 53 |
|-----------------------------------|-------|-------|-------|-------|-------|-------|-------|-------|-------|-------|-------|-------|-------|-------|----------------|-------|-------|-------|-------|-------|-------|-------|
| 1 Seat Tube Angle | 73.5° | 73° | 73° | 73° | 74° | 73.5° | 73° | 73.5° | 73° | 73° | 73° | 74° | 73.5° | 73° | 1 | 75° | 75° | 75° | 75° | 75° | 75° | 75° |
| 2 Head Tube Angle | 69° | 71° | 71° | 71.5° | 69° | 70° | 71° | 69° | 71° | 71° | 71.5° | 69° | 70° | 71° | 2 | 71° | 71° | 71° | 71° | 71° | 71° | 71° |
| 3 Horizontal Top Tube Length (cm) | 55 | 56.5 | 58 | 60.5 | 54.5 | 56 | 58 | 55 | 56.5 | 58 | 60.5 | 54.5 | 56 | 58 | 3 | 57.2 | 57.7 | 58.4 | 59.3 | 55.9 | 57.2 | 57.7 |
| 4 Seat Tube Length (cm) | 73.5 | 73 | 73 | 72.5 | 74 | 73.5 | 73 | 73.5 | 73 | 73 | 72.5 | 74 | 73.5 | 73 | 4 | 48 | 53 | 57 | 60 | 44 | 48 | 53 |
| 5 Chainstay Length (cm) | 45 | 45 | 45 | 45 | 45 | 45 | 45 | 45 | 45 | 45 | 45 | 45 | 45 | 45 | 5 | 45.8 | 45.8 | 45.8 | 45.8 | 45.8 | 45.8 | 45.8 |
| 6 Fork Rake (cm) | 4.5 | 4.5 | 4.5 | 4.5 | 4.5 | 4.5 | 4.5 | 4.5 | 4.5 | 4.5 | 4.5 | 4.5 | 4.5 | 4.5 | 6 | 4.5 | 4.5 | 4.5 | 4.5 | 4.5 | 4.5 | 4.5 |
| 7 Bottom Bracket Height (cm) | 28 | 28 | 28 | 28 | 28 | 28 | 28 | 28 | 28 | 28 | 28 | 28 | 28 | 28 | 7 | 29.0 | 29.0 | 29.0 | 29.0 | 29.0 | 29.0 | 29.0 |
| 8 Wheelbase (cm) | 104.8 | 105.2 | 106.5 | 107.6 | 104.7 | 105.3 | 106.0 | 104.8 | 105.2 | 106.5 | 107.6 | 104.7 | 105.3 | 106.0 | 8 | 109.8 | 110.7 | 111.6 | 112.8 | 108.2 | 109.8 | 110.7 |
| 9 Fork Trail (cm) | 7.5 | 7.2 | 6.8 | 6.5 | 7.5 | 7.5 | 7.2 | 7.5 | 7.2 | 6.8 | 6.5 | 7.5 | 7.5 | 7.2 | 9 | 7.2 | 7.2 | 7.2 | 7.2 | 7.2 | 7.2 | 7.2 |
| 10 Standover Height (cm) | 79.5 | 81.4 | 83.3 | 85.1 | 69.8 | 71.7 | 72.2 | 77.9 | 80.3 | 82.5 | 85 | 69.8 | 71.7 | 72.2 | 10 | 77.5 | 81.5 | 84.5 | 86.0 | 68.5 | 71.5 | 72.5 |
| 11 Bottom Bracket Drop (cm) | 6.7 | 6.7 | 6.7 | 6.7 | 6.7 | 6.7 | 6.7 | 6.7 | 6.7 | 6.7 | 6.7 | 6.7 | 6.7 | 6.7 | 11 | 5.8 | 5.8 | 5.8 | 5.8 | 5.8 | 5.8 | 5.8 |
| 12 Front Center (cm) | 60.4 | 61.2 | 62.4 | 64.0 | 61.6 | 62.2 | 62.8 | 60.4 | 61.2 | 62.4 | 64.0 | 61.6 | 62.2 | 62.8 | 12 | 64.6 | 65.5 | 66.5 | 67.6 | 63.0 | 64.6 | 65.5 |
| 13 Head Tube Length (cm) | 11.4 | 11.4 | 11.4 | 11.4 | 11.4 | 11.4 | 11.4 | 15 | 16 | 17 | 18 | 15 | 16 | 17 | 13 | 13.6 | 17.1 | 18.7 | 18.7 | 13.6 | 17.1 | 18.7 |

VINTAGE MASCULINE HEADSHOK MIXTE HEADSHOK FEMININE HEADSHOK MASCULINE RIGID MIXTE RIGID FEMININE RIGID



| SPECIFICATIONS | 48 | 53 | 57 | 61 | 44 | 48 | 53 | 44 | 48 | 53 | 48 | 53 | 57 | 60 | 44 | 48 | 53 | 44 | 48 | 53 | |
|-----------------------------------|-------|-------|-------|-------|-------|-------|-------|-------|-------|-------|-------|-------|-------|-------|-------|-------|-------|-------|-------|-------|-----|
| 1 Seat Tube Angle | 75° | 75° | 75° | 75° | 75° | 75° | 75° | 75° | 75° | 75° | 75° | 75° | 75° | 75° | 75° | 75° | 75° | 75° | 75° | 75° | 75° |
| 2 Head Tube Angle | 71° | 71° | 71° | 71° | 71° | 71° | 71° | 71° | 71° | 71° | 71° | 71° | 71° | 71° | 71° | 75° | 75° | 71° | 75° | 75° | |
| 3 Horizontal Top Tube Length (cm) | 57.2 | 57.7 | 58.4 | 59.3 | 55.9 | 57.2 | 57.7 | 55.9 | 57.2 | 57.7 | 57.2 | 57.7 | 58.4 | 59.3 | 55.9 | 57.2 | 57.7 | 55.9 | 57.2 | 57.7 | |
| 4 Seat Tube Length (cm) | 48 | 53 | 57 | 60 | 44 | 48 | 53 | 44 | 48 | 53 | 48 | 53 | 57 | 60 | 44 | 48 | 53 | 44 | 48 | 53 | |
| 5 Chainstay Length (cm) | 45.8 | 45.8 | 45.8 | 45.8 | 45.8 | 45.8 | 45.8 | 45.8 | 45.8 | 45.8 | 45.8 | 45.8 | 45.8 | 45.8 | 45.8 | 45.8 | 45.8 | 45.8 | 45.8 | 45.8 | |
| 6 Fork Rake (cm) | 4.5 | 4.5 | 4.5 | 4.5 | 4.5 | 4.5 | 4.5 | 4.5 | 4.5 | 4.5 | 4.5 | 4.5 | 4.5 | 4.5 | 4.5 | 4.5 | 4.5 | 4.5 | 4.5 | 4.5 | |
| 7 Bottom Bracket Height (cm) | 29.0 | 29.0 | 29.0 | 29.0 | 29.0 | 29.0 | 29.0 | 29.0 | 29.0 | 29.0 | 29.0 | 29.0 | 29.0 | 29.0 | 29.0 | 29.0 | 29.0 | 29.0 | 29.0 | 29.0 | |
| 8 Wheelbase (cm) | 109.8 | 110.7 | 111.6 | 112.8 | 108.2 | 109.8 | 110.7 | 108.2 | 109.8 | 110.7 | 109.8 | 110.7 | 111.6 | 112.8 | 108.2 | 109.8 | 110.7 | 108.2 | 109.8 | 110.7 | |
| 9 Fork Trail (cm) | 7.2 | 7.2 | 7.2 | 7.2 | 7.2 | 7.2 | 7.2 | 7.2 | 7.2 | 7.2 | 7.2 | 7.2 | 7.2 | 7.2 | 7.2 | 7.2 | 7.2 | 7.2 | 7.2 | 7.2 | |
| 10 Standover Height (cm) | 81.5 | 83.0 | 85.0 | 87.5 | 71.5 | 72.5 | 73.5 | 66.0 | 66.0 | 66.0 | 77.5 | 81.5 | 84.5 | 86.0 | 68.5 | 71.5 | 72.5 | 68.5 | 71.5 | 72.5 | |
| 11 Bottom Bracket Drop (cm) | 5.8 | 5.8 | 5.8 | 5.8 | 5.8 | 5.8 | 5.8 | 5.8 | 5.8 | 5.8 | 5.8 | 5.8 | 5.8 | 5.8 | 5.8 | 5.8 | 5.8 | 5.8 | 5.8 | 5.8 | |
| 12 Front Center (cm) | 64.6 | 65.5 | 66.5 | 67.6 | 63.0 | 64.6 | 65.5 | 63.0 | 64.6 | 65.5 | 64.6 | 65.5 | 66.5 | 67.6 | 63.0 | 64.6 | 65.5 | 59.5 | 61.0 | 61.5 | |
| 13 Head Tube Length (cm) | 11.4 | 11.4 | 11.4 | 11.4 | 11.4 | 11.4 | 11.4 | 13.6 | 17.1 | 18.7 | 18.7 | 13.6 | 17.1 | 18.7 | 13.6 | 17.1 | 18.7 | 13.6 | 17.1 | 18.7 | |

CANNONDALE AUTHORIZED DISTRIBUTORS

The following lists are subject to change without notice.

BELARUS: Sinij Medved, Osipenko 2, 92, 220053, Minsk, tel: +375 29 621 86 07, email: contact@velozona.by

BULGARIA: KCP Group, 50 Sfakion STR 12131, Greece, tel: +30 210 5317960, fax: +30 210 5317961, email: info@kcp.gr, http://www.kcp.gr

CROATIA: Keindl Sport, Reljkoviceva 2, 10000 Zagreb, tel: +385 1 3711 711, fax: +385 13708324, email: info@keindl-sport.com, http://www.keindl-sport.com

CZECH REPUBLIC: Aspire Sports s.r.o., Karasek 11, Brno, 62100, tel: +420 532 199 540, fax: +420 532 199 554, email: Marian.Materna@aspire.cz, http://www.aspire.cz

CYPRUS: KCP Group, 50 Sfakion STR 12131, Greece, tel: +30 210 5317960, fax: +30 210 5317961, email: info@kcp.gr, http://www.kcp.gr

ESTONIA: Extreme Sport AS, Merivalja tee 1, 11911 Tallinn, tel: +372 650 8686, fax: +372 650 8687, email: info@extreme.ee, http://www.extreme.ee

GREECE: KCP Group, 50 Sfakion STR 12131, Greece, tel: +30 210 5317960, fax: +30 210 5317961, email: info@kcp.gr, http://www.kcp.gr

HUNGARY: Mali Bicycle Technology, Szinesfem u. 22-24, 1211 Budapest, tel: +36-1420-5032, fax: +36-142-0532, email: mali@mali.hu

ICELAND: GA Petursson Ltd., Faxafen 7, 108 Reykjavik, Box 8176, 1211 Budapest, tel: +354 5200 200, fax: +354 5200 301, email: mogens@gap.is, http://www.gap.is

KAZAKHSTAN: Limpopo Outdoor, 534 Seifallin Str., Almaty, 050022, tel: 73272617061, fax: 73272617265, email: limpop@nursat.kz, http://www.limpopo.kz

LATVIA: SIA Multisport, Garozes street 1 Riga, LV-1004, Juris Mikulens, email: jurism@fans.lv, +371 67626025, fax +371 67892053, http://www.fans.lv

MALTA: Pedal Power, 56 Triq Is-Stazzjon, B'Kara BKR 12, Malta, tel: +356 212 27265, fax: +356 212 27265, email: musco@global.net.mt, http://www.pedpowermalta.com

POLAND: PGR Sp. Z.O.O., ul Rydygiera 8/bud.20B, lok 227, Warszawa 01-793, tel: +48 22 6699690, email: biuro@grupapgr.pl, http://www.grupapgr.pl

ROMANIA: Maros Bike, Aurel Vlaicu no. 120, Cluj Napoca, tel: +40 2644 10779, email: office@marosport.ro, http://www.marosbike.ro

RUSSIA: Velomir Group, Lusinovskaya st 53, 115093, Moscow, tel: +74952368278, fax: +74952378463, email: info@velomir.ru

SLOVAKIA: Eximo s.r.o., Trencianska 764/409, 01851 Nova Dubnica, Slovakia, tel: 00421-424430034, fax: 00421424430034, email: eximo@psg.sk

SERBIA: Planet Bike Co. doo, Milosa Obilica 9-11, 37000 Krusevac, tel: +381 37 420000, fax: +381 37 420011, email: office@planetbike.rs, http://www.planetbike.rs

SLOVENIA: Sport trade 2000 d.o.o., Celovska 280, Ljubljana, 1000, tel: +386-15104940, fax: +385-151 82163, email: sandi.gabrovsek@siol.net, http://www.funssports.si

SLOVAKIA: Aspire Sports s.r.o., Karasek 11, Brno, 62100, tel: +420 532 199 540, fax: +420 532 199 554, email: Marian.Materna@aspire.cz, http://www.aspire.cz

TURKEY: Delta Bisiklet HQ, BosnaHersek Cd. 20/D, 06510, Emek Ankara, Turkey, tel: +90312 2236027, fax: +90312 2223492, email: info@deltabisiklet.com, http://www.deltabisiklet.com

UKRAINE: Velotrade, Enakievskaya 2E, Kharkov, Ukraine, tel: +38057 7544980, fax: +38057 7544 981, email: maxim_jvanov@velotrade.com.ua, www.veloplaneta.com.ua

EUROPEAN APPAREL/ACCESSORIES DEALERS: distributors@cannondale.com, tel: 0041 61 4879387, fax: 0041 61 4879385

INTERNATIONAL SALES: 172 Friendship Village RD, Bedford, PA 15522 USA, tel: 814-623-4391, fax: 814-623-2107, email: international@cannondale.com

ARGENTINA: Lauro Competition, Avda. San Pedro 577, Buenos Aires, Argentina 01406, tel: 4613-8859, fax: 54-11-4612-8805, email: laurocompetition@hotmail.com, http://www.cannondaleargentina.com

BERMUDA: The New Winners Edge, 34 Church Street, Hamilton HM11, Bermuda, tel: 441-295-6012, fax: 411-292-1904

BOLIVIA: Visual Import & Export, Avenida Banzer #656, Santa Cruz, Bolivia, tel: (591-3) 341 4141, fax: (591-3) 341 4600

BORNEO: Cannasia, 101 Frankel Ave., Singapore tel/fax: 65-6441-4772, http://www.cannasia.com

BRAZIL: Cannondale Brasil, Av. Prof. Sylia Matos, 370, CEP 04182-010 Sao Paulo Brazil, tel: 2264-2167/2264-2143, http://www.cannondale.com.br

BRUNEI: Cannasia, 101 Frankel Ave., Singapore, 458224, tel: 65-6441-4772, email: cannasia@mbox5.singnet.com.sg, http://www.cannasia.com

CHILE: Inversiones Intercycles Ltda., Av. Neuva Las Condes, 12.270 #101, Santiago, Chile, South America, tel: 562-215-3470, fax: 562-217-3167, email: cycles@cannondale.cl

CHINA: Kele ShanGuo Trading Co. LTD (Shenzhen) F2-28 Arc De Triomphe Str City Valle Shahe West Road 2029 Nanshan Shenzhen PR China, tel: 755-267-54695

COSTA RICA: Xcesso S.A., San José, Costa Rica, tel: 506-2290-5696, fax: 506-2290-3412, email: xcesso@racsa.co.cr

DOMINICAN REPUBLIC: Aro & Pedal, 27 de Febrero #112, Santo Domingo, Dominican Republic, tel: (809) 686-5861, fax: (809) 687-6548, email: aro.pedal2@codetel.net.do

ECUADOR: BikeLife, Shiry N41-206 e Isla Floreana, Quito Ecuador tel: 593-99-217050, fax: 593+22-440312

EL SALVADOR: Grupo Extremo, Blvd Santa Elena Atrium Plata 5y6 Antiquo Cuscatlan San Salvador, El Salvador, tel: 502-228-99636

GUAM: Hornet Bicycles, PO Box 8294, Tamuning, Guam 96931, tel: 671-646-9191, fax: 671-646-1900, email: hikko@guamcell.net

GUATEMALA: Bike Center, S. A., 20 Calle 24-67 Zona 10, Paris Plaza, Local 2-3, Guatemala City Guatemala, tel: 502-333-4388, fax: 502-333-7394, email: bikecenter@intelnett.com

HONDURAS: Hondubikes, Col.Humuya Av.Sabana Tegucigalpa, Honduras, tel/fax: 504-239-2192

HONG KONG: Flying Ball Bicycle, Unit G58 Lai Sun Commercial Center, 680 Cheung Sha Wan Road, Kowloon, Hong Kong, tel: 852-238-13661, fax: 852-239-74406, http://www.flyingball.com

INDIA: Tube Investments of India, PO Box 5, MTH Rd Ambattur, Chennai 60053, India, tel: 914 428 553492, fax: 914 -428-553757

INDONESIA: Cannasia Pte. Ltd., 101 Frankel Ave., Singapore, 458224, tel: 65-6441-4772, email: cannasia@mbox5.singnet.com.sg, http://www.cannasia.com

ISRAEL: O.R Cycling Ltd., 6296, Netanya 42160, tel: +972-(0)-891-7395, email: info@cannondale.co.il, http://www.cannondale.co.il

JAMAICA: Hi Tech Industries LTD., 8 Dumfries Road Kingston 10 Jamaica W. Indies, tel: 876 855 8888 , fax: 876 978 7414

KOREA: Sanbada Sports, 1F Gungdo Building 278-19, NonHyun-Dong, Seoul, Korea, tel: 822-543-6390, fax: 822-3442-6391, email: sanbada1@unitel.co.kr

KUWAIT: Silicon Valley Group, Cannondale Store, Shuwaikh Industrial Area, Kuwait City, Kuwait tel: 965-482-6723 email: svq@qualitynet.net

LEBANON: VO2 MAX, Asco Center, Sassine, Beirut, Lebanon, tel: 961-132-6111, fax: 961-132-8666, http://www.vo2maxlb.com

MALAYSIA: Cannasia Pte. Ltd., 101 Frankel Avenue, Singapore, 458224, tel: 65-6441-4772, cannasia@singnet.com.sg, http://www.cannasia.com

MAURITIUS: Emcar Ltd, Old Moka Road , Bell Village, Republic of Mauritius, tel: 230-208-6335, fax: (230) 212-5952

MEXICO: Viansi Triathlon Boutique, Av. Division Del Norte #2957, Col. Rosedal Coyoacan, Mexico 04330, D.F., tel: 525-5549-5291, fax: 525-549-5291, http://viansi_bici@infonet.net.mx

NETHERLAND ANTILLES: Tri-Sport N.V., #14B Airport Blvd Simpsonbay, St. Maarten, Netherlands Antilles, tel: (599)545-4385, fax: (599)545-4384, http://www.trisport@sintmaarten.net

NEW CALEDONIA: Royal Motors SA., 9, route de la Baie des Dames B.P. 2548, Nouméa, New-Caledonia, 98846, tel: 687 285 912, fax: 687 286 320, http://www.rmotors.orgroupedang.nc

NEW ZEALAND: WH Worrall, 43 Felix Street, Penrose, Auckland, New Zealand; tel: (649) 636 0641; email: office@worrall.co.nz

PANAMA: Latin Bikes S.A., Calle 50 Final y Via Cincuentenario, Edificio Adelina, Local #1, San Francisco, Panama, tel: (507) 60902002

PERU: Cycling S.R.L., Av. Tomas Marsano 2851, Higuera-Surco, Lima, Peru, tel/fax: 511-271-0247, http://www.cycling@terra.com.pe

PHILIPPINES: Newton Multi-Sales, 689-D Del monte Ave., SFDM Quezon City, Metro Manila, Philippines, 1100, tel: (0632)3725127-28 & 3717231, 5595301, 5595311, fax: (0632) 3735439, email: bike_newton@yahoo.com

PUERTO RICO: TL Bicycle Distributor Inc, Jose A. Lugo, Edif. Mar de Isla Verde Apt 10-Q, San Juan Puerto Rico, 00979, tel: 787 613 1040,

SINGAPORE: Cannasia Pte. Ltd., 101 Frankel Avenue, Singapore 458224, tel: 65-6441-4772, Cannasia@singnet.com.sg, http://www.cannasia.com

SOUTH AFRICA: Omnico (PTY) Ltd, Unit 1 B Kimbult Industrial park, 8 Zeiss Road, Honeydew, South Africa, 2170, Lionel Dippenaar, tel: +27(0)117943808, Mobile : +27(0)832587777, lionel@omnico.co.za, http://www.omnico.co.za

TAIWAN: Three Peaks Bicycle Company, No. 222 Jin-Xian 8th Rd, Taichung Taiwan, tel: 886-424-368842, http://www.threepaks.com.tw

THAILAND: Cycloholic 45/39 Soi Atthakrawee 1, Sukhumvit 26 Road (Soi Aree) Bangkok, Thailand 10110 tel:+66815678886 email: thaicann@cannasia.com, http://www.thaicannasia.com

TRINIDAD: Motorcycles Etc., 89 Eastern Main Road, Barataria, Trinidad and Tobago, tel: 868-675-2453, fax: 868-675-3816, email: larrya@wow.net

TRINIDAD: Sports & Games 47 Tissue Drive Trincity, Trinidad, tel: 868-640-2507, fax: 868-640-0505

UNITED ARAB EMIRATES: Prozone P.O. Box # 123500 Dubai (United Arab Emirates) tel: +9714 33-88644, fax: +009714 3385552, email: info@prozonetd.com, http://www.dubaicycles.com

URUGUAY: Motociclo SA, AV Sayago 1385-CP 12400, Montevideo, Uruguay, tel: 5982 354 20 80

VENEZUELA: Bici Bikes, 2A AV., Ed. Artelito local 5 (WINDCTR) Los Palos Grandes, Caracas, Venezuela 1041, tel: 58-212-286-0285; fax: 58-212-283-7466

VENEZUELA: Bicimania C.A., C.C., M Ave. Bolivar, Porlamar, Margaritia Island, Venezuela, tel: 58-295-262-9116, fax: 58-295-262-9116, bicimania@cantv.net

VENEZUELA: Bike Sports/Venezuela-Centro Comercial Ibarra, Local 3A, Calle Garcilazo, Colinas de Bello Monte, Caracas, Venezuela, tel: 58-212-751-9730, fax: 58 212 753 5071

WORLD WIDE MILITARY SALES: tel: 814 623 4391; fax: 814 623 2107, international@cannondale.com

WORLD WIDE TOURISM & RESORTS: tel: 814 623 4391; fax: 814 623 2107, international@cannondale.com (07/10)

CANNONDALE CORPORATE OFFICES

CANNONDALE USA
Cycling Sports Group, Inc.
172 Friendship Road,
Bedford, Pennsylvania, 15522-6600, USA
(Voice): 1-800-BIKE-USA
(Fax): 814-623-6173
(Email): custserv@cyclingsportsgroup.com

CANNONDALE EUROPE
Cycling Sports Group Europe, B.V.
mail: Postbus 5100
visits: Hanzepoort 27
7570 GC, Oldenzaal, Netherlands
(Voice): + 41 61.4879380
(Fax): 31-5415-14240
(Email): servicedeskeuropee@cyclingsportsgroup.com

CANNONDALE AUSTRALIA

cannondale

CANNONDALE EUROPE

© 2010 CANNONDALE BICYCLE CORPORATION
WWW.CANNONDALE.COM

1997
2003
2004
2007
2010

MAGLIA ROSA



126485



CYCLING SPORTS GROUP

CYCLING SPORTS GROUP™ POSTBUS 5100 HANZEPOORT 27 7570 GC OLDENZAAL, NL CANNONDALEINFO@CYCLINGSPORTSGROUP.COM

