



READ THIS MANUAL CAREFULLY!
It contains important safety information.
Keep it for future reference.

SUPER SIX

Owner's Manual Supplement **120858.PDF**

CONTENTS

| | | |
|-----------------------------------|------------------------------|----|
| SAFETY INFORMATION | Crankset Compatability..... | 9 |
| About This Supplement | Bearing Maintenance | 9 |
| Important Composites Message..... | BB30 to 68mm Adapter | 10 |
| Intended Use | Cannondale Tools | 11 |
| Building Up A Frameset..... | CHAINSTAY PROTECTION | 12 |
| Bike Stands..... | DERAILLEUR HANGER | 13 |
| Extreme Temperatures..... | GEOMETRY/SPECIFICATION | 14 |
| Inspection and Crash Damage | REPLACEMENT PARTS..... | 15 |
| Repainting and Refinishing | | |
| SERIAL NUMBER | | |
| HEADSET | | |
| SEAT POST/ BINDER | | |
| SI BOTTOM BRACKET SHELL | | |

Please note that the specifications and information in this manual are subject to change for product improvement. For the latest product information, go to <http://www.cannondale.com/tech/>.

SAFETY INFORMATION

About This Supplement

Cannondale Owner's Manual Supplements provide important model specific safety, maintenance, and technical information. They are not replacements for your *Cannondale Bicycle Owner's Manual*.

This supplement may be one of several for your bike. Be sure to obtain and read all of them.

If you need a manual or supplement, or have a question about your bike, please contact your Cannondale Dealer immediately, or call us at one of the telephone numbers listed on the back cover of this manual.

You can download Adobe Acrobat PDF versions of any Cannondale Owner's Manuals or Supplements from our website: <http://www.cannondale.com/bikes/tech>.

- **This manual is not a comprehensive safety or service manual for your bike.**
- **This manual does not include assembly instructions for your bike.**
- **All Cannondale bikes must be completely assembled and inspected for proper operation by a Cannondale Dealer before delivery to the owner.**

WARNING

This supplement may include procedures beyond the scope of general mechanical aptitude.

Special tools, skills, and knowledge may be required. Improper mechanical work increases the risk of an accident. Any bicycle accident has risk of serious injury, paralysis or death. To minimize risk we strongly recommend that owners always have mechanical work done by an authorized Cannondale retailer.

WARNING

IMPORTANT COMPOSITES MESSAGE

Your bike is made from composite materials also known as "carbon fiber."

All riders must understand a fundamental reality of composites. Composite materials constructed of carbon fibers are strong and light, but when crashed or overloaded, carbon fibers do not bend, they break.

For your safety, as you own and use the bike, you must follow proper service, maintenance, and inspection of all the composites (frame, stem, fork, handlebar, seat post, etc.) Ask your Cannondale Dealer for help.

We urge you to read PART II, Section D. "Inspect For Safety" in your *Cannondale Bicycle Owner's Manual* BEFORE you ride.

YOU CAN BE SEVERELY INJURED, PARALYZED OR KILLED IN AN ACCIDENT IF YOU IGNORE THIS MESSAGE.

Intended Use

The intended use of your bike or frameset is
CONDITION 1 / HIGH PERFORMANCE ROAD.



CONDITION 1 / HIGH-PERFORMANCE ROAD bikes and framesets are designed for riding on a paved surface where the tires do not lose ground contact. They are not intended to be ridden off-road, cyclocross, or touring with racks or panniers.

Material use is optimized to deliver both light weight and specific performance. You must understand that (1) these types of bikes are intended to give an aggressive racer or competitive cyclist a performance advantage over a relatively short product life, (2) a less aggressive rider will enjoy longer frame life, (3) you are choosing light weight (shorter frame life) over more frame weight and a longer frame life, (4) you are choosing light weight over more dent resistant or rugged frames that weigh more. All frames that are very light need frequent inspection for cracks that would indicate that the frame is worn out from fatigue. These frames are likely to be damaged or broken in a crash. They are not designed to take abuse or be a rugged workhorse.

WARNING

UNDERSTAND YOUR BIKE AND ITS INTENDED USE. CHOOSING THE WRONG BICYCLE FOR YOUR PURPOSE CAN BE HAZARDOUS. USING YOUR BIKE THE WRONG WAY IS DANGEROUS.

Industry usage Conditions 1 - 5 are generalized and evolving. Consult your Cannondale Dealer about how you intend to use your bike.

Please read your *Cannondale Bicycle Owner's Manual* for more information about Intended Use and Conditions 1-5.

Maximum Weight Limit

| RIDER lbs / kg | LUGGAGE * lbs / kg | TOTAL lbs / kg |
|-------------------|-----------------------|-------------------|
| 275 / 125 | 10 / 4.5 | 285 / 129 |

* Seat Bag /Handlebar Bag Only

Building Up A Frameset

Before building up a frameset, consult with your Cannondale Dealer and the component manufacturers, and discuss your riding style, ability, weight, and interest in and patience for maintenance.

Make sure the components chosen are compatible with your bike and intended for your weight and riding style.

Generally speaking, lighter weight components have shorter lives. In selecting lightweight components, you are making a trade-off, favoring the higher performance that comes with less weight over longevity. If you choose more lightweight components, you must inspect them more frequently. If you are a heavier rider or have a rough, abusive or "go for it" riding style, buy heavy duty components.

Read and follow the component manufacturers warnings and instructions.

Bike Stands

The clamping jaws of an ordinary bike stand can generate a crushing force strong enough to seriously damage and ruin your bike frame.

CAUTION

Never place your bike in a bike stand by clamping the frame. Place your bike in a stand by extending the seat post and positioning the stand clamp on the extended seat post. Don't extend beyond the MINIMUM INSERT line marked on the seat post.

Since your carbon seat post can also be damaged by clamping force, adjust the stand clamp for the minimum clamping force needed to secure the bike.

Also, before clamping, clean the post and protect the seat post finish with a rag.

If you have an old un-used seat post, use it instead of your regular post to mount your bike in a stand.

Protect From Extreme Temperatures

- Protect your carbon bike from extreme temperatures when storing or transporting it.
- Allow your bike to cool off or warm up before you ride
- Do not store your bike in places where the temperature will exceed 66.5C° (150°F). For example, do not leave your bike lying flat in a black pickup truck bed in the desert sun or under the glass of a hatchback auto.

Inspection & Crash Damage of Carbon Frames

WARNING

AFTER A CRASH OR IMPACT:

Inspect frame carefully for damage (See PART II, Section D. Inspect For Safety in your Cannondale Bicycle Owner's Manual.)

Do not ride your bike if you see any sign of damage, such as broken, splintered, or delaminated carbon fiber.

ANY OF THE FOLLOWING MAY INDICATE A DELAMINATION OR DAMAGE:

An unusual or strange feel to the frame

Carbon which has a soft feel or altered shape

Creaking or other unexplained noises,

Visible cracks, a white or milky color present in carbon fiber section

Continuing to ride a damaged frame increases the chances of frame failure, with the possibility of injury or death of the rider.

Repainting Or Refinishing

You should not paint over the existing finish, refinish or repaint your bike. The carbon fiber composites making up the frame are held together by some extremely strong bonding chemicals. However, these bonds can be attacked or weakened by paint stripping or refinishing chemicals.

WARNING

Repainting, painting over, retouching, or refinishing your frame or fork can result in severe damage leading to an accident. You can be severely injured, paralyzed or killed.

Refinishing chemicals : Solvents, and strippers can attack, weaken, or destroy the important composite chemical bonds holding your frame together.

Using abrasives or sanding the frame/fork structure, original paint, decals, or coatings through the use of mechanical actions such as plastic or glass bead blasting or other abrasive methods such as sanding or scraping can remove frame material or weaken it.

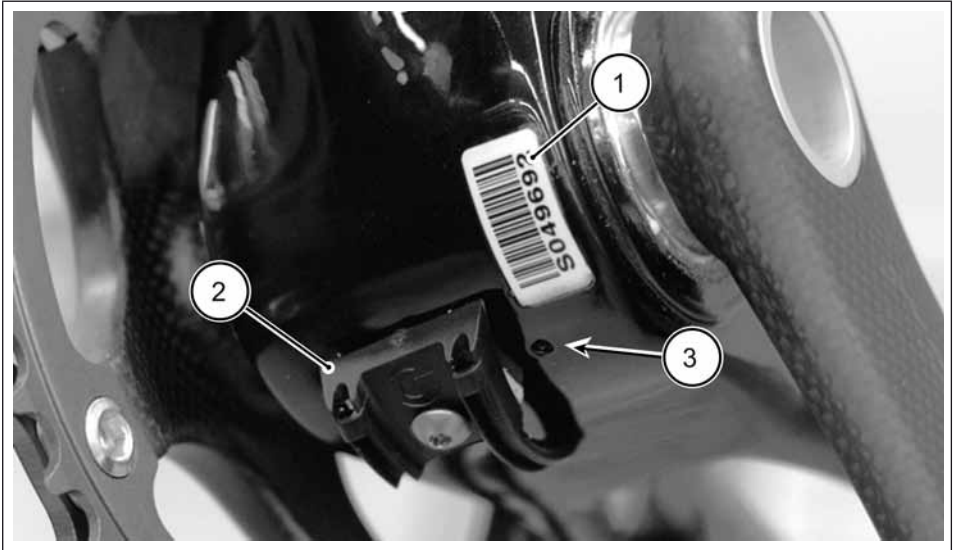


Figure 2.

Serial Number

The serial number (1) printed and permanently affixed barcode label.

Use this serial number for warranty registration and theft recovery. See your *Cannondale Bicycle Owner's Manual* for more information on warranty registration.

Bottom Bracket Guide

The cable guide (2) is mounted on the bottom bracket. Replacements are available through a Cannondale Dealer. The kit # is KF363/

Vent

Keep the small vent hole (3) in the bottom of the bottom bracket shell clear of any dirt so that any water can drain out.

Water can enter into frame tubes through washing, condensation, wet rides, or rain. It penetrates or can be sprayed in through water bottle bosses, seat tube, head tube and seat post openings.

Water will not chemically harm your bike. If it freezes, the ice expansion can burst or crack the frame making it unsafe to ride. This damage is NOT covered under your warranty.

After wet rides, remove seat post, invert bike to drain any water.

HEADSET

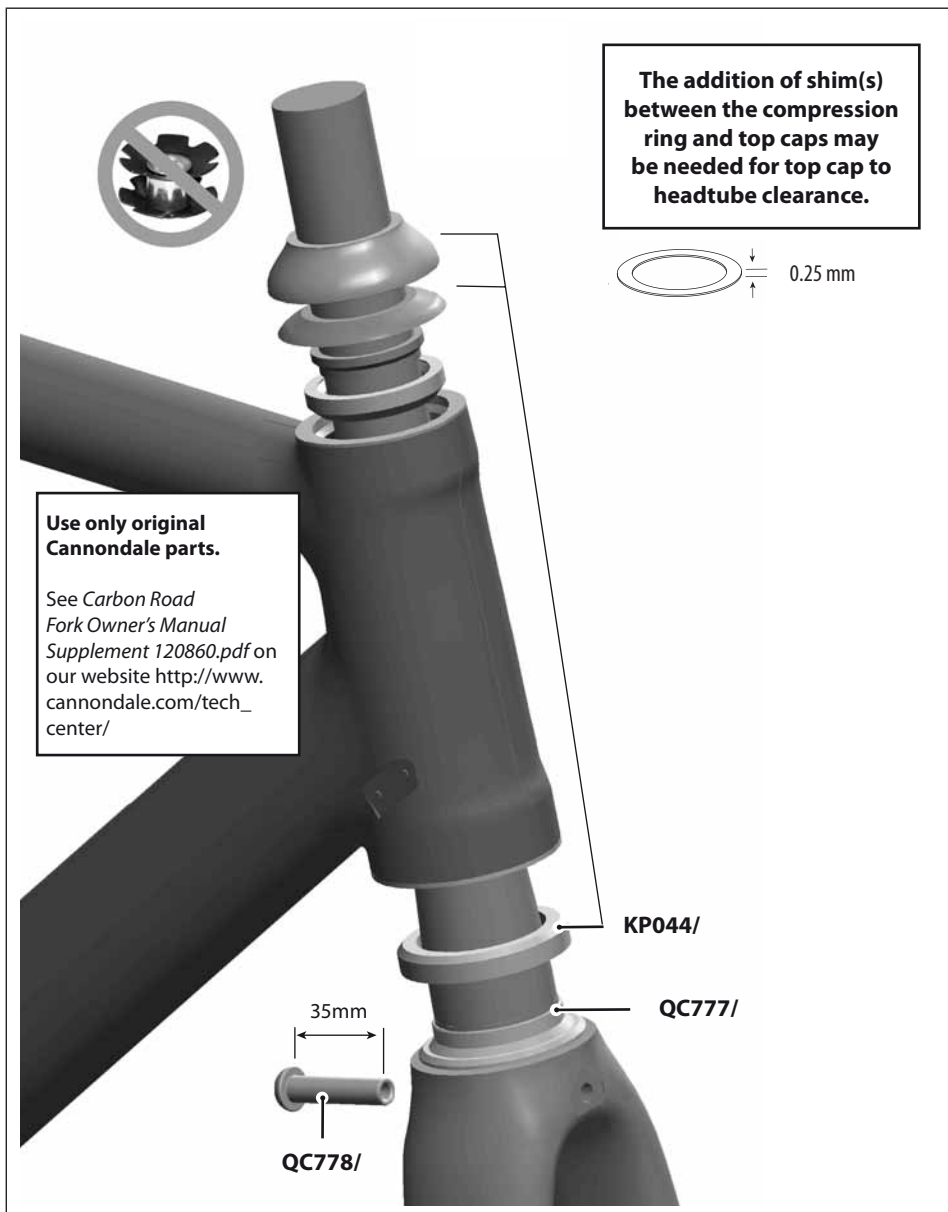


Figure 3a.

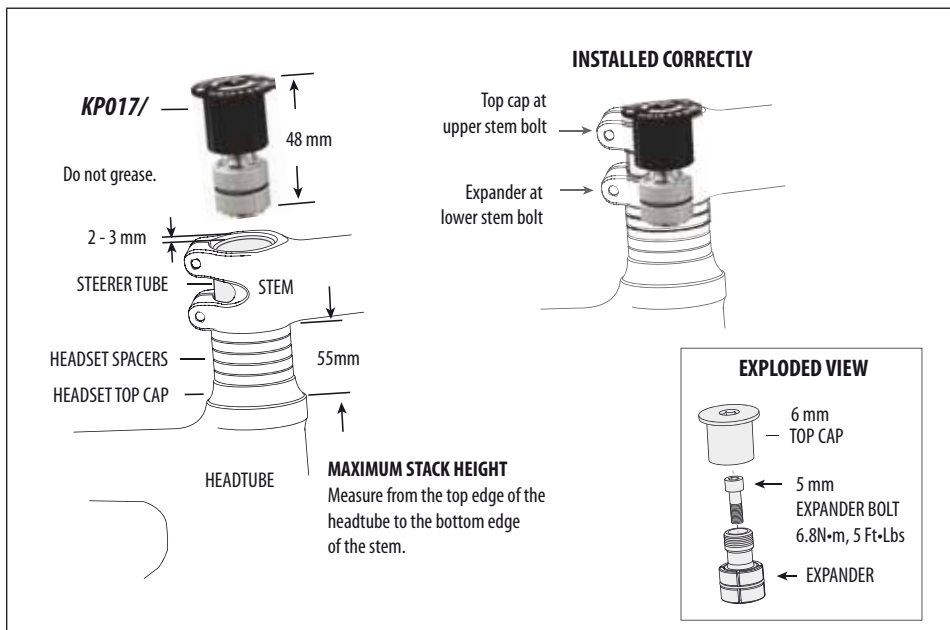


Figure 3b.

SI Compression Assembly KP017/ Instructions

The following procedure should only be completed by a professional bike mechanic.

1. Assemble the fork, headset, spacers, and stem without tightening the stem bolts onto the head tube. When the system is assembled, the carbon steerer tube should be 2-3 mm below the top stem. All spacers must be located below the stem and within the maximum stack height as shown. No spacers may be used above the stem.
2. Set-up the compression assembly before inserting it. Adjust the length so that the expander is located at lower stem bolt. The top cap and the expander end provides critical support to the carbon steerer when tightening the stem bolts. Adjust the length by threading the top cap on the expander parts.
3. When the assembly is the correct length, insert it into the steerer tube. It is designed to fit snugly inside the steerer. Insert a 5 mm Allen key through the access hole in the TOP CAP and into the EXPANDER BOLT. Tighten the expanding parts by turning clockwise to 6.8Nm, 5 ftLbs.
4. Now, to set bearing preload, insert a 6mm allen key into the hex shape in the TOP CAP itself. Turn the entire top cap clockwise to increase preload. Turning it counter-clockwise will decrease the preload. When the headset preload feels correct, turn the stem to align the handlebar and tighten the stem fork clamp bolts to the torque specified for the stem. Consult the stem manufacturer's instructions. The torque values for components are often marked on the part.

SEAT POST / BINDER

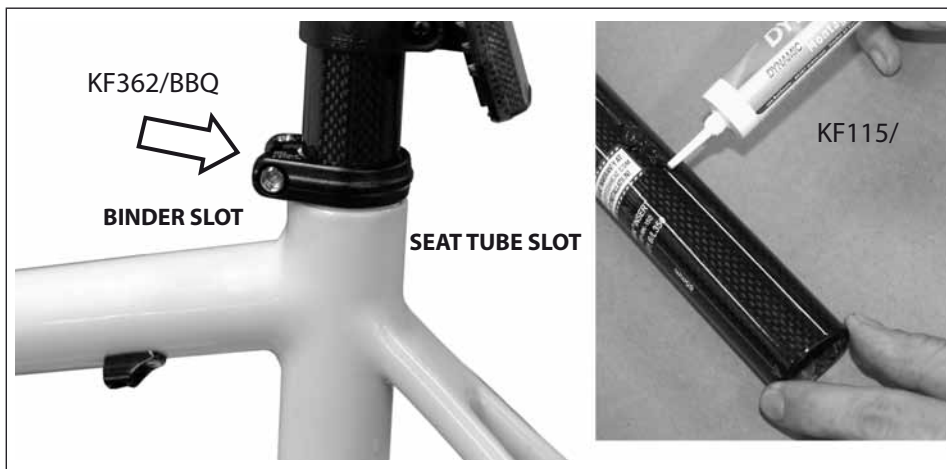


Figure 4.

Installation

1. Make sure the seat post, binder, and seat tube are clean. Use a dry towel.
2. Apply small amount of seat post gel (Cannondale kit KF115/) to seat post surface and reinstall the post into the seat tube.

- 4 **FOR HIGH-PERFORMANCE CARBON SEAT POSTS ALWAYS POSITION THE SEAT BINDER SLOT OPPOSITE THE SEAT TUBE SLOT.** Locating the binder slot opposite the seat tube slot reduces the chances of cracking from deformation or accidental overtightening.

Tighten the seat binder with a torque wrench. **DO NOT EXCEED MAXIMUM SPECIFIED TORQUE 6.8Nm.**

5. Check tightening torques of the saddle to seat post clamp bolts. Too much torque may fail the bolts. Too little torque will result in movement which leads to fatigue and bolt failure.

WARNING

TO AVOID SEAT POST OR FRAME DAMAGE:

- Follow seatpost manufacturer's instructions
- Use a torque wrench to tighten.
- Use only seat post gel to lubricate.
- Do not use solvents, or chemical spray cleaners to clean.
- Never force a seat post into the seat tube.
- After any crash, fall, or impact, remove and inspect the seat post for damage (e.G., Cracks, scratches, scrapes, gouges, splintering). If damage is found, do not ride it; discard it. Replace the seat post with a new one.

YOU CAN BE SEVERELY INJURED, PARALYZED OR KILLED IF YOUR IGNORE THESE WARNINGS.

BOTTOM BRACKET SHELL

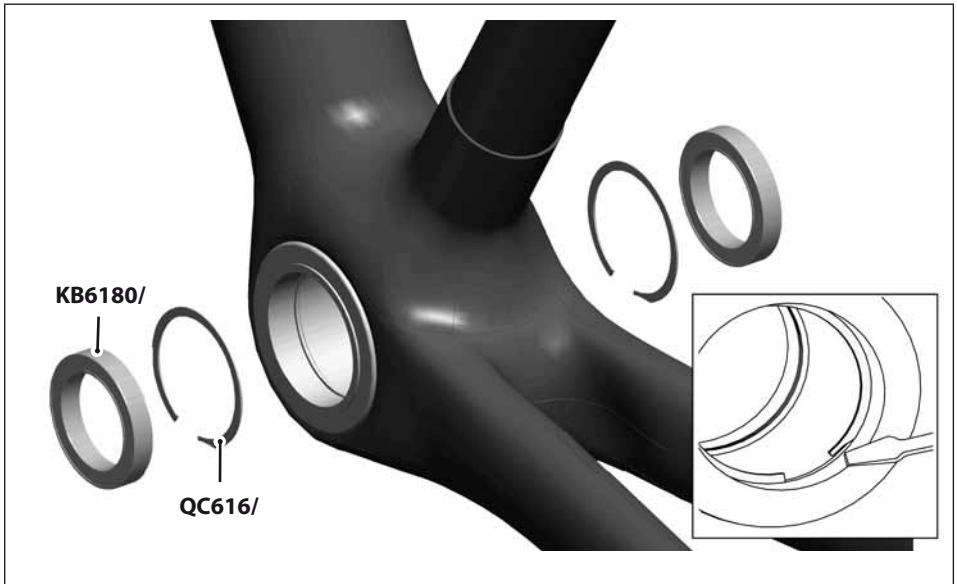


Figure 5.

Crankset Compatibility

The BB shell is compatible with the BB30 Standard. See <http://www.bb30standard.com/> For information see *SI Cranksets Owner's Manual Supplement*. See <http://www.cannondale.com/tech/>.

Bearing Maintenance

Shell bearings (KB6180/) are sealed cartridge type and do not require lubrication. Inspect bearing condition annually (at a minimum) and anytime the crankset assembly is disassembled or serviced. The bearings are a press fit within the shell. Old bearings should not be reinstalled if removed. Replace both bearings at the same time.

Replacements circlips (QC616/) are available if the circlips become damaged. The circlips can be lifted from the BB groove (inset) by lifting the hooked end with a thin blade screwdriver.

CAUTION

DO NOT FACE, MILL OR MACHINE THE BOTTOM BRACKET SHELL FOR ANY REASON.
Doing so can result in serious damage and possibly a ruined bike frame.

BB30-to-68mm Standard Adapter

The adapter (Cannondale kit KF365/) converts the BB30 bottom bracket cranksets for use with 68mm bottom brackets. Once installed, the adapter can not be removed.

The adapter IS NOT a repair part and will only work in undamaged frames in good condition. Improper installation or removal can result in damage and void applicable frame warranty.

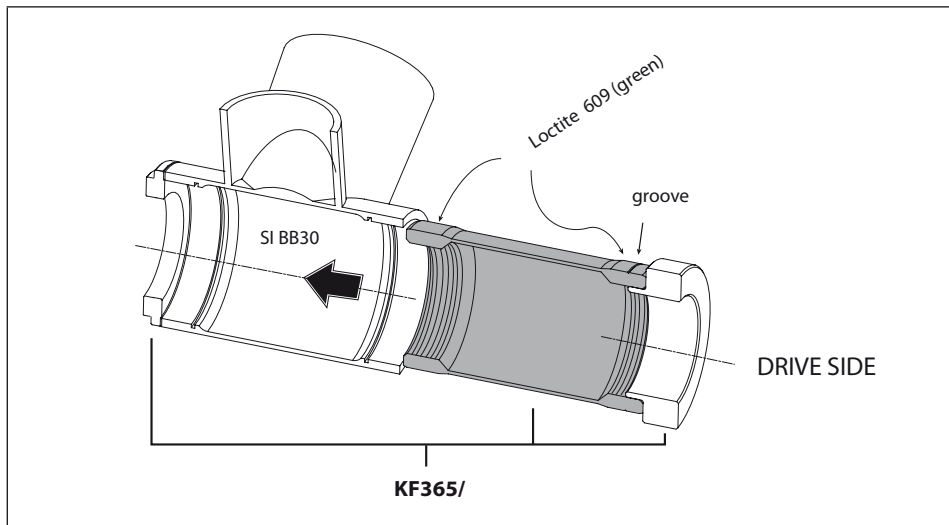


Figure 6.

CAUTION

SERIOUS FRAME DAMAGE

Once installed, the SI-to-Standard adapter is a non-removable/ permanent frame part. Do not remove it. Adapters must be installed by a professional bike mechanic.

Cannondale Tools

KT011/ is a bearing removal tool. KT010/ is a set of bearing installation tools to be used with a standard headset press. KT013/ a two piece tool set required for removing the crankarms SI Hollowgram alloy cranksets. For information see *SI Cranksets Owner's Manual Supplement*. See <http://www.cannondale.com/tech/>.

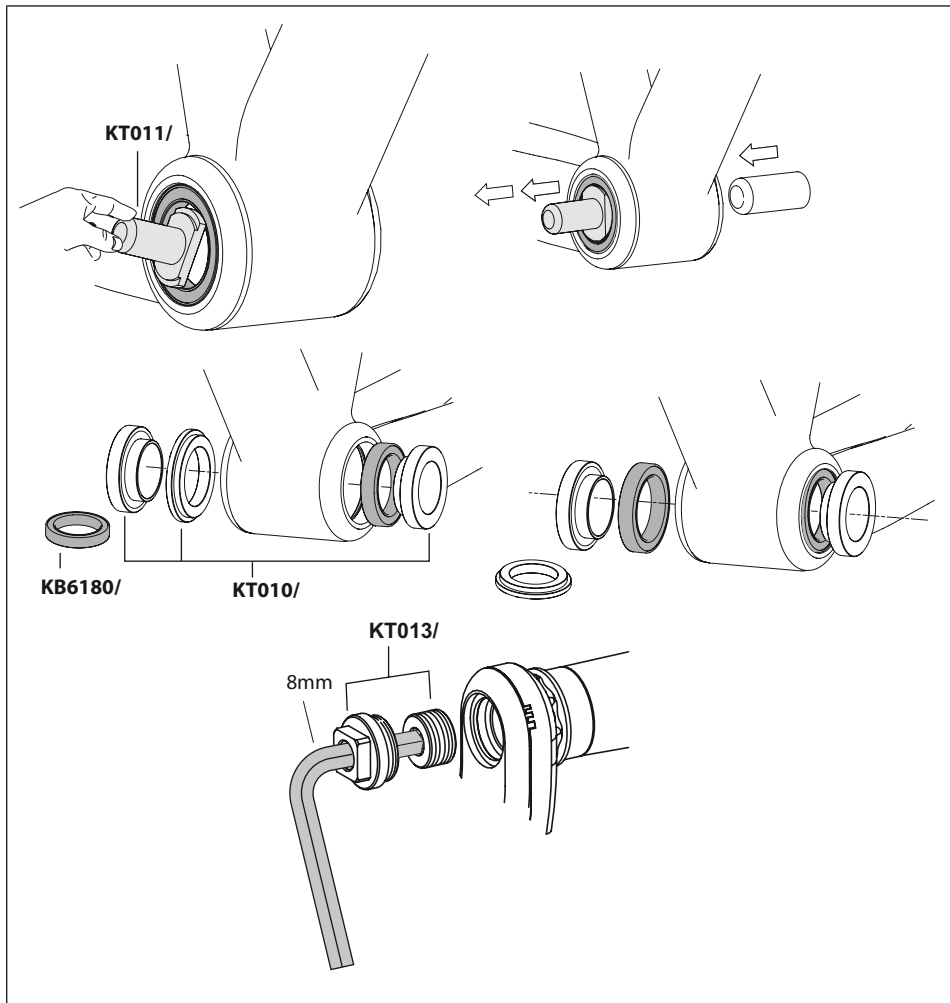


Figure 7.

CHAINSTAY PROTECTION

The chainstay plate (Cannondale kit KP045/) located on the right chainstay just behind the chainrings, protects the chainstay from damage in the event the chain is dropped from the chainring. Contact your Cannondale Dealer for a replacement if it becomes missing or damaged.



Figure 8.

The clear chainstay protector provides limited protection against frame or finish damage caused by the chain. Replacement protectors are available through a Cannondale Dealer.

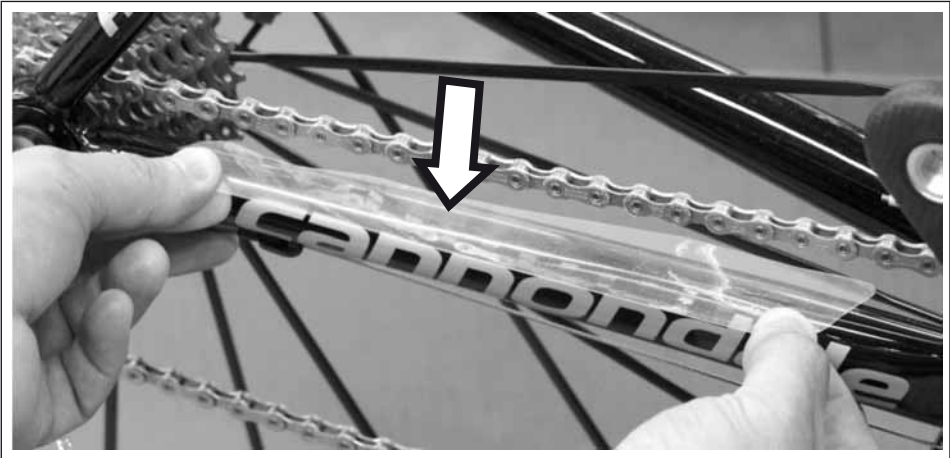


Figure 9.

DERAILLEUR HANGER

Before re-installing (same or new): Clean dropout and inspect carefully for any cracks or damage. Clean surfaces and apply a light film of bike grease to the dropout to minimize any noise or “creaking” that might result from very slight movement between the dropout and hanger during movement of the derailleur. Apply grease and Loctite carefully. Do not contaminate the male or female bolt threads with grease which would cause the Loctite to be ineffective.

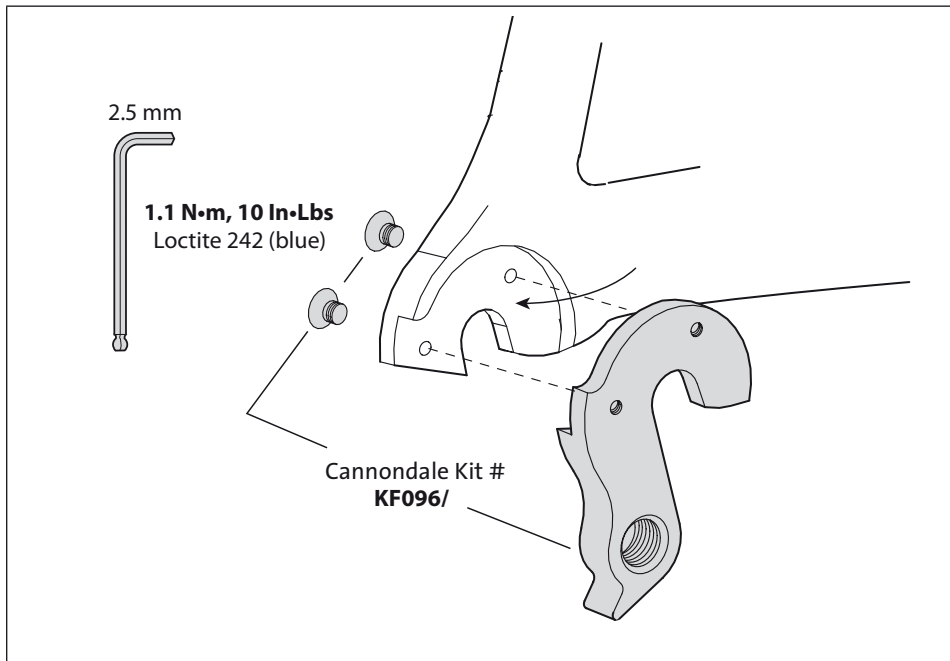


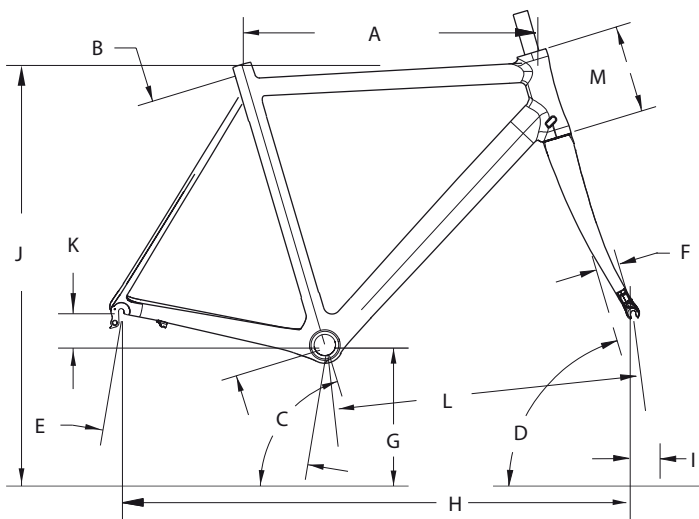
Figure 10.

Check derailleur adjustment after replacement. Readjust wheel quick release so it is very tight. See PART I Section 4. A in your *Cannondale Bicycle Owner's Manual*.

CAUTION

DO NOT USE A DERAILLEUR HANGER ALIGNMENT TOOL TO STRAIGHTEN.

GEOMETRY/SPECIFICATION



| ITEM | | 48 | 50 | 52 | 54 | 56 | 58 | 60 | 63 |
|---------------------------------|---|-------|-------|------|----------------------|-------|-------|-------|-------|
| Horizontal Top Tube Length (cm) | A | 51.5 | 52.5 | 53.5 | 54.5 | 56.0 | 57.5 | 59.0 | 60.0 |
| Measured Size (cm)* | B | 46 | 48 | 50 | 52 | 54 | 56 | 58 | 61 |
| Seat Tube Angle | C | 74.5° | 74.5° | 74° | 73.5° | 73.5° | 73° | 72.5° | 72° |
| Head Tube Angle | D | 72° | 72.5° | 73° | 73° | 73° | 73.5° | 73.5° | 73.5° |
| Chainstay Length | E | 40.5 | 40.5 | 40.5 | 40.5 | 40.5 | 40.5 | 40.8 | 40.8 |
| Fork Rake | F | 4.5 | 4.5 | 4.5 | 4.5 | 4.5 | 4.5 | 4.5 | 4.5 |
| Bottom Bracket Height (cm) | G | 26.5 | 26.5 | 26.5 | 26.8 | 26.8 | 27.0 | 27.0 | 27.0 |
| Wheelbase (cm) | H | 95.9 | 96.6 | 96.8 | 97.5 | 99.2 | 99.6 | 100.1 | 101.3 |
| Trail (cm) | I | 6.2 | 5.9 | 5.6 | 5.6 | 5.6 | 5.3 | 5.3 | 5.3 |
| Standover @ Top Tube Midpoint | J | 74 | 75.3 | 76.5 | 78.5 | 80.1 | 82.2 | 83.8 | 86.6 |
| Bottom Bracket Drop (cm) | K | 7.2 | 7.2 | 7.2 | 6.9 | 6.9 | 6.7 | 6.7 | 6.7 |
| Front Center Distance (cm) | L | 56.5 | 57.2 | 57.4 | 58.0 | 59.7 | 60.1 | 61.0 | 61.4 |
| Head Tube Length (cm) | M | 11.0 | 11.5 | 12.0 | 14.0 | 15.5 | 17.5 | 19.0 | 22.0 |
| Headset Compression Assy | Cannondale SI Compression Assembly - KP017/ | | | | | | | | |
| Seatpost Dia. | 31.6mm | | | | | | | | |
| Seat Binder | SIZE 34.9mm | | | | MAXIMUM TORQUE 6.8Nm | | | | |
| Front Derailleur Clamp Dia. | SIZE 34.9mm clamp-on | | | | MAXIMUM TORQUE 6.8Nm | | | | |
| Dropout Spacing | Rear 130mm, Front 100mm | | | | | | | | |

* The measured size is from the center of the bottom bracket to the top of the top tube along the seat tube axis. All sizes have a slightly sloping top tube.

REPLACEMENT PARTS

| ORDER | FRAME | |
|-----------------------|--|--|
| KF363/ | BB CABLE GUIDE w/fixing bolt | |
| KF055/ | INLINE ADJUSTER (QTY 2) | |
| KF362/BBQ | SEAT BINDER 34.9mm | |
| KF115/ | SEAT POST GEL | |
| KP045/ | CHAINSTAY PROTECT-SUPERSIX | |
| KF096/ | REAR DERAILLUEUR HANGER | |
| | | |
| ORDER | HEADSET & FORK PARTS | |
| KP043/ | FORK SUPER SIX | |
| KP044/ | HEADSET SUPER SIX | |
| QC777/ | CROWN RACE | |
| QC778/ | BRAKE BOLT(35mm) | |
| KP017 | SI COMPRESSION ASSY | |
| | | |
| ORDER | SI BB30 | |
| BOTTOM BRACKET | | |
| QC616/ | SI CIRCLIPS (QTY 2) | |
| KB6810/ | SI BEARINGS (QTY 2) | |
| KP018/ | SI CERAMIC BEARINGS (QTY 2) | |
| QC615/ | SI BEARING SHIELD (QTY 2) | |
| KP023/ | SI BEARING SHIELD SL (QTY 2) | |
| QC612/ | SPINDLE-SI ROAD | |
| QC617/ | SI SHIMS (QTY 5) | |
| QC618/ | SI WAVE WASHER | |
| TOOLS | | |
| KT010/ | SI BEARING PRESS TOOL(USED WITH HEADSET PRESS) | |
| KT011/ | SI BEARING REMOVAL TOOL | |
| KT012/ | SI LOCKRING TOOL | |
| KT013/ | SI HOLLOWGRAM CRANKARM EXTRACTION TOOL | |
| KF365/ | SIBB/68 ADP.INSTALL | |
| QC787/ | EXTRACT CAP TOOL FOR SI CARBON CRANKSETS | |
| KP009/ | ADAPTER,SIBB TO 68MM TAP | |

For an up to date list of kits available for your bike, please visit our Tech Center at : <http://www.cannondale.com/bikes/tech/>